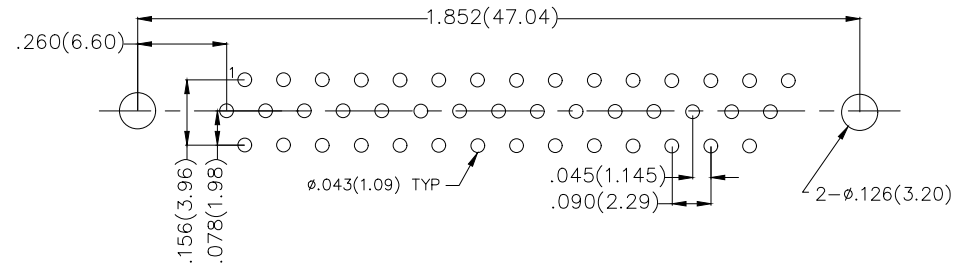
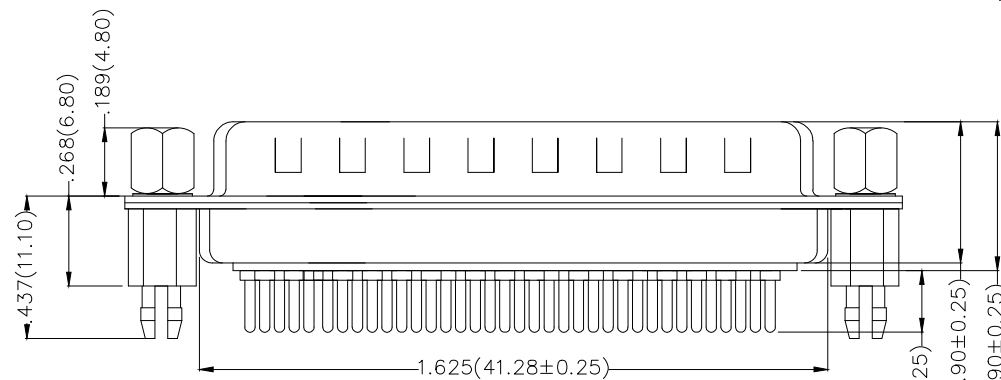
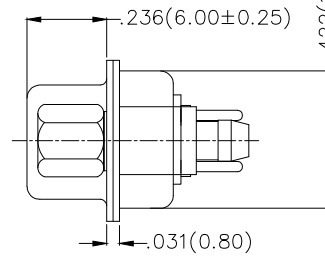
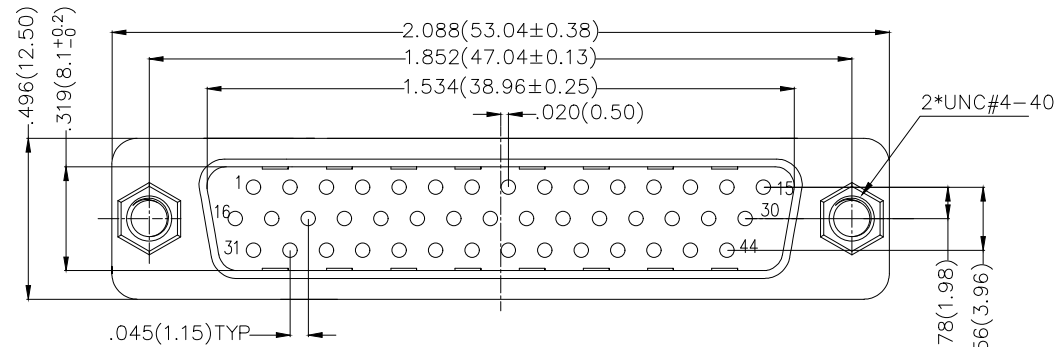


REV	LOCATIONS	DESCRIPTION	DATE	REVISER	APPD



Recommended P.C. Board Layout

Ordering Information

FDM 44 15 — M0 D S 1 XX XX X
 1 2 3 4 5 6 7 8 9 10

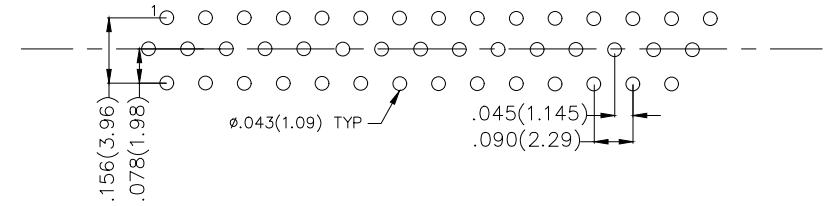
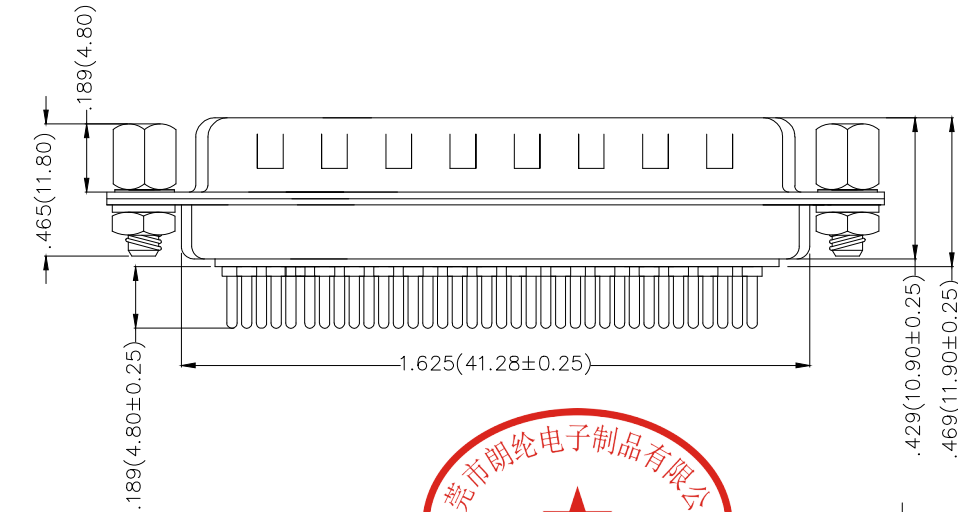
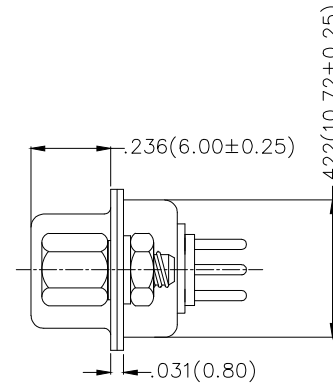
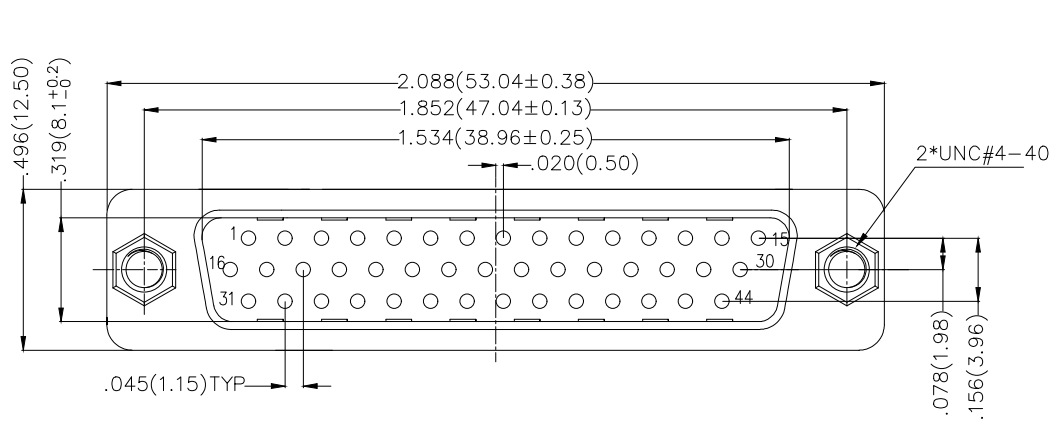
1 Category FDM-Machined pin D-SUB connector	2 Circuits 44	3 Distinction No. 15	4 Type M0-Male	5 Assembly Layout D-DIP
6 Entry Angle S-180° Vertical	7 Plating 1-Gold Plated	8 Thickness of Plating 01-1μ" 03-03μ"	9 Color-Resin W1-White K6-Black	10 Packaging K-Tray L-Tube

Materials And Finish
 Shell: Steel Material, Front Nickel Plated
 Back Shell Tin Plated
 Insulator: PBT Thermoplastic, UL 94V-0, Colour: Black
 Contact Material: Brass /Gold Plated
 Electrical Characteristic
 Contact Current Rating: 5A
 Contact Resistance : 30mΩ Max
 Dielectric Withstanding Voltage : 1000V AC r.m.s Min
 Insulation Resistance: 5000 Megaohms Min.
 Temperature Range-Operating: -55°C ~ +105°C



THIRD ANGLE PROJECTION		GENERAL TOLERANCES (UNLESS SPECIFIED)		APPROVE BY	DATE	PART NO.	ITEM NO.	3K-KAMING®	
DESIGN UNITS Inch (metric)	X.±.012(0.30)	.X'±5'		FRANK	23/JUL/13	FDM4415-MODS1XXXXX	FDM4415	REV 0	SHEET NO. 1/1
	X.X±.008(0.20)	.X'±2'		CHECKED BY	DATE	TITLE Machined pin D-SUB connector 180° Vertical Male		THIS DRAWING CONTAINS INFORMATION THAT IS PROPRIETARY TO DONG GUAN LANG LUN(3K-KAMING) ELECTRONIC PRODUCTS CO., LTD. AND SHOULD NOT BE USED WITHOUT WRITTEN PERMISSION	
	X.XX±.006(0.15)	.XX'±1'		CHERRY	23/JUL/13				
SCALE 5:1	SIZE A4	X.XXX±.004(0.10)	.XXX'±0.5'		DRAWN BY	DATE			
				JACOB	23/JUL/13				

REV	LOCATIONS	DESCRIPTION	DATE	REVISER	APPD



Recommended P.C. Board Layout

Ordering Information

FDM 44 15 — M0 D S 1 XX XX X A
 1 2 3 4 5 6 7 8 9 10 11

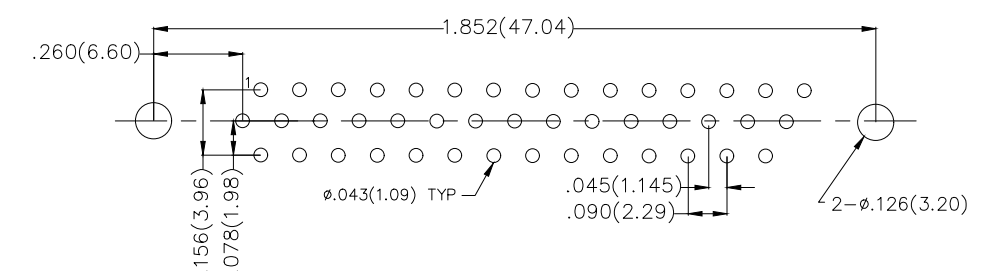
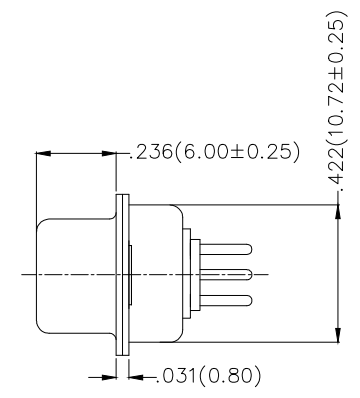
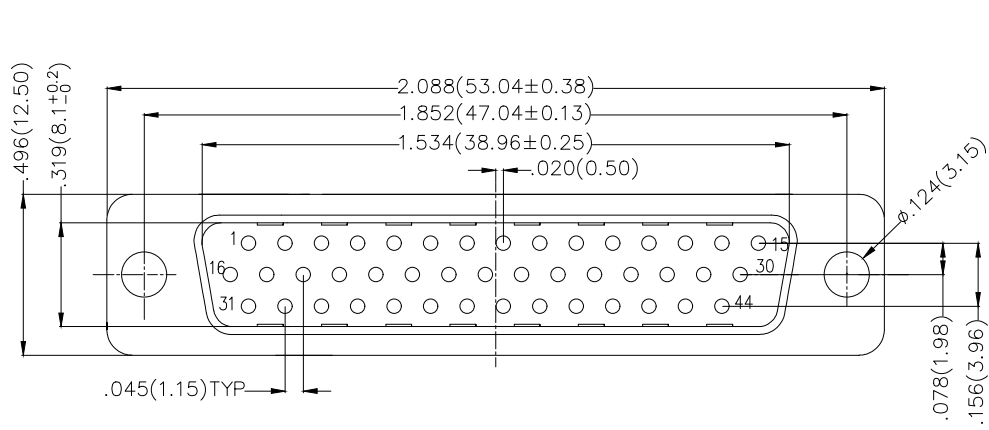
1 Category FDM—Machined pin D—SUB connector	2 Circuits 44	3 Distinction No. 15	4 Type M0—Male	5 Assembly Layout D—DIP
6 Entry Angle S—180° Vertical	7 Plating 1—Gold Plated	8 Thickness of Plating 01—1μ" 03—03μ"	9 Color—Resin W1—White K6—Black	10 Packaging K—Tray L—Tube
11 Distinction Type A—Type A				



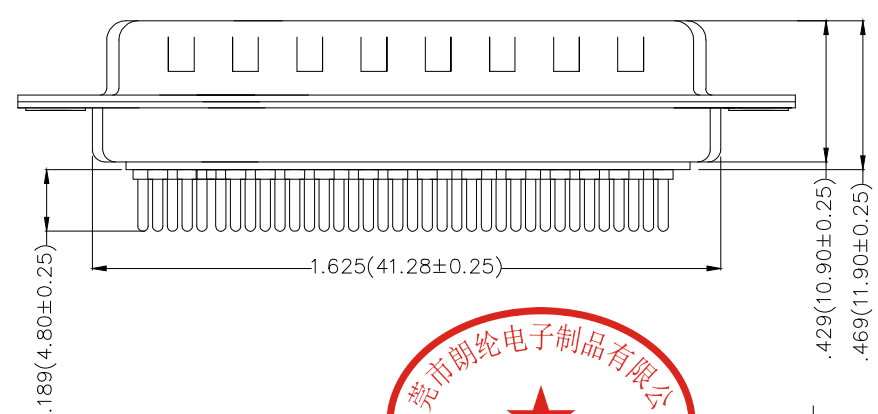
Materials And Finish
 Shell: Steel Material, Front Nickel Plated
 Back Shell Tin Plated
 Insulator: PBT Thermoplastic, UL 94V-0, Colour: Black
 Contact Material: Brass / Gold Plated
 Electrical Characteristic
 Contact Current Rating: 5A
 Contact Resistance : 30mΩ Max
 Dielectric Withstanding Voltage : 1000V AC r.m.s Min
 Insulation Resistance: 5000 Megaohms Min.
 Temperature Range—Operating: -55°C ~ +105°C

THIRD ANGLE PROJECTION	GENERAL TOLERANCES (UNLESS SPECIFIED)		APPROVE BY FRANK	DATE 23/JUL/13	PART NO. FDM4415—MODS1XXXXXA	ITEM NO. FDM4415	 3K-KAMING
	DESIGN UNITS Inch (metric)	X.±.012(0.30) X.X±.008(0.20) X.XX±.006(0.15) X.XXX±.004(0.10)	X.±5° .X°±2° .XX±1° .XXX±0.5°	CHECKED BY CHERRY	DATE 23/JUL/13	TITLE Machined pin D—SUB connector 180° Vertical Male	
SCALE 5:1	SIZE A4	DRAWN BY JACOB	DATE 23/JUL/13	THIS DRAWING CONTAINS INFORMATION THAT IS PROPRIETARY TO DONG GUAN LANG LUN(3K-KAMING) ELECTRONIC PRODUCTS CO., LTD. AND SHOULD NOT BE USED WITHOUT WRITTEN PERMISSION		REV 0	SHEET NO. 1/1

REV	LOCATIONS	DESCRIPTION	DATE	REVISER	APPD



Recommended P.C. Board Layout



Ordering Information

FDM 44 15 — M0 D S 1 XX XX X B
 1 2 3 4 5 6 7 8 9 10 11

1 Category FDM—Machined pin D—SUB connector	2 Circuits 44	3 Distinction No. 15	4 Type M0—Male	5 Assembly Layout D—DIP
6 Entry Angle S—180° Vertical	7 Plating 1—Gold Plated	8 Thickness of Plating 01—1μ* 03—03μ*	9 Color—Resin W1—White K6—Black	10 Packaging K—Tray L—Tube
11 Distinction Type B—Type B				



Materials And Finish
 Shell: Steel Material, Front Nickel Plated
 Back Shell Tin Plated
 Insulator: PBT Thermoplastic, UL 94V-0, Colour: Black
 Contact Material: Brass / Gold Plated
 Electrical Characteristic
 Contact Current Rating: 5A
 Contact Resistance : 30mΩ Max
 Dielectric Withstanding Voltage : 1000V AC r.m.s Min
 Insulation Resistance: 5000 Megaohms Min.
 Temperature Range—Operating: -55°C ~ +105°C

THIRD ANGLE PROJECTION	GENERAL TOLERANCES (UNLESS SPECIFIED)		APPROVE BY FRANK	DATE 23/JUL/13	PART NO. FDM4415—MODS1XXXXXB	ITEM NO. FDM4415	
	DESIGN UNITS Inch (metric)	X.±.012(0.30) X.XX±.008(0.20) X.XX±.006(0.15) X.XXX±.004(0.10)	X.±5° .X°±2° .XX±1° .XXX±0.5°	CHECKED BY CHERRY	DATE 23/JUL/13	TITLE Machined pin D—SUB connector 180° Vertical Male	
SCALE 5:1	SIZE A4	DRAWN BY JACOB		DATE 23/JUL/13	THIS DRAWING CONTAINS INFORMATION THAT IS PROPRIETARY TO DONG GUAN LANG LUN(3K-KAMING) ELECTRONIC PRODUCTS CO., LTD. AND SHOULD NOT BE USED WITHOUT WRITTEN PERMISSION		