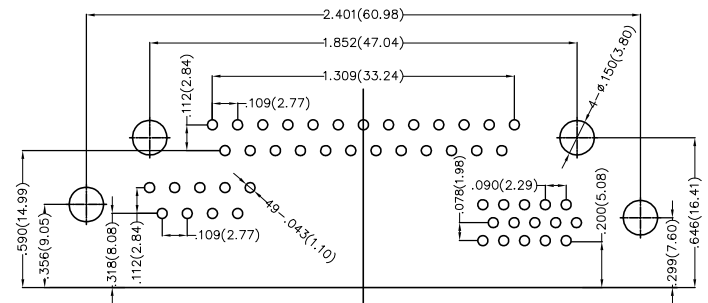
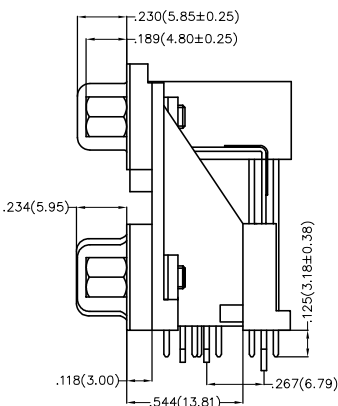
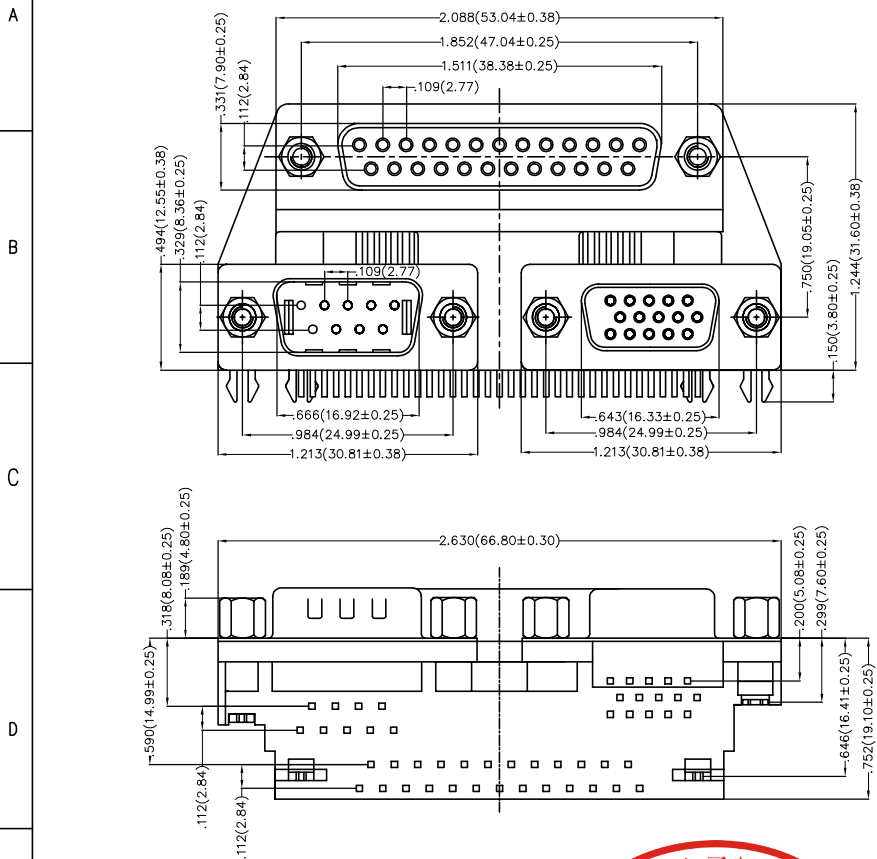


REV	LOCATIONS	DESCRIPTION	DATE	REVISER	APPD



Recommended P.C. Board Layout

Ordering Information

FDB 49 01 - FMF D B 3 XX RGB K
 1 2 3 4 5 6 7 8 9 10

1 Series Name FDB- D-SUB	2 Circuits 49	3 Distinction No. 01	4 Type FMF-Female+Male+Female	5 Assembly Layout D-DIP
6 Entry Type B-Side entry type	7 Plating 3-Half Gold/Tin	8 Thickness of Plating 00-Gold Flash 03-3u" Custom Plate Available	9 Plastic Colour RGB-Red+Green+Blue	10 Packaging K-PE Tray

SPECIFICATIONS

Electrical

- Current Rating: 1A AC(rms)/DC
- Voltage Rating: 300V AC(rms)/DC
- Contact Resistance: 20 mΩ Max
- Insulation Resistance: 1000 MΩ MIN
- Withstanding Voltage: 500V AC r.m.s
- Temperature Range-Operating: -55°C~+105°C

Material and Finish

- Housing: PBT±30% GF UL 94V-0
- Contact: Brass/Gold Flash Plated
Plated On Soldertails, Nickel Under Plated Over All/Gold Plated Options
- Shell: Spcc/Nickel Plated Over All
- Screws: Copper Alloy/Nickel Plated Over All



THIRD ANGLE PROJECTION	GENERAL TOLERANCES (UNLESS SPECIFIED)		APPROVE BY FRANK	DATE 28/JUN/13	PART NO. FDB4901-FMFDB3XXRGBK	ITEM NO. FDB4901		
	X.±0.12(0.30)	X.±5°	CHECKED BY JACOB	DATE 28/JUN/13	TITLE D-SUB 49 PIN FEMALE 25PIN+ MALE 9PIN+FEMALE 15PIN CONN			
DESIGN UNITS Inch (metric)	X.XX±.008(0.20)	.X'±2'	DRAWN BY CHERRY	DATE 28/JUN/13	THIS DRAWING CONTAINS INFORMATION THAT IS PROPRIETARY TO DONG GUAN LANG LUN(3K-KAMING) ELECTRONIC PRODUCTS CO.,LTD. AND SHOULD NOT BE USED WITHOUT WRITTEN PERMISSION		REV 0	SHEET NO. 1/1