

YL SERIES (Power Entry Module Filters)



Features

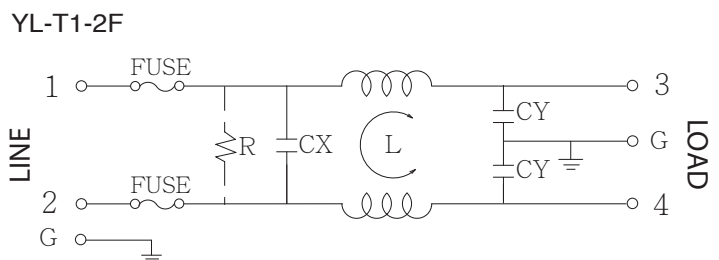
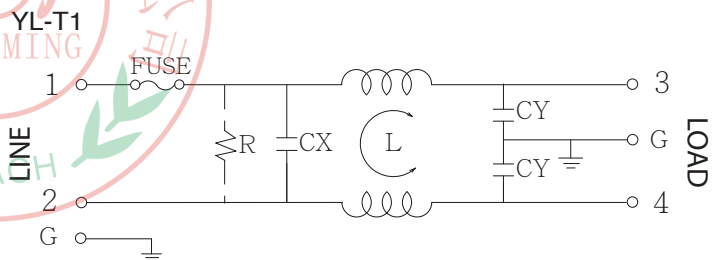
- General purpose filter with fuse holder providing effective EMI suppression of both line-to-line and line-to-ground noise
- The rated current can be offered up to 10 amps and available with single or double fuse holder(Ø 5 x 20 mm)
- Various output selections such as fast-on terminal, and lead wire.
- Low leakage current version upon requested.
- Approved by UL, CSA, VDE, CQC and CE.
- Applications comprising Electrical and electronic equipment, Household equipment, Medical equipment, Testing and Measuring equipment.
- Custom-specific versions are available on request.

Technical Specification

Rated voltage	125/250VAC	YL-T1
Rated currents	1 to 10A	
Operating frequency	50/60Hz	
Hipot rating(Line-to-line)	1450VDC	
Hipot rating(Line-to-ground)	2250VDC	
Operating temperature	-25~+85°C	
Safety compliance	UL,CSA,VDE,CQC,CE	

*except double fuse type

Typical electrical schematic



*With optional resistor.
R: 1M ohm

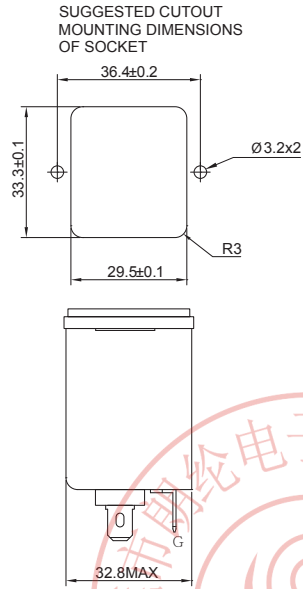
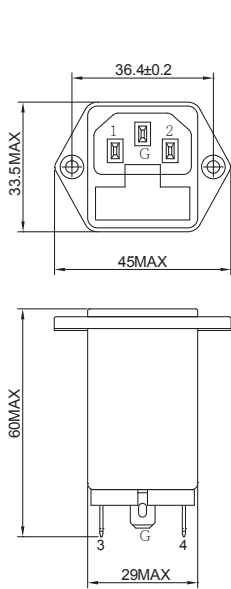
Filter Selection Table

Part No.	Rated Current (A)	Inductance L(mH)	Capacitance CX(μF)	Capacitance CY(pF)	Output connections
YL01T1	1				Fast-on terminal (optional lead-wire)
YL03T1	3				
YL06T1	6				
YL10T1	10				
YL01T1-2F	1				
YL03T1-2F	3				
YL06T1-2F	6				
YL10T1-2F	10				

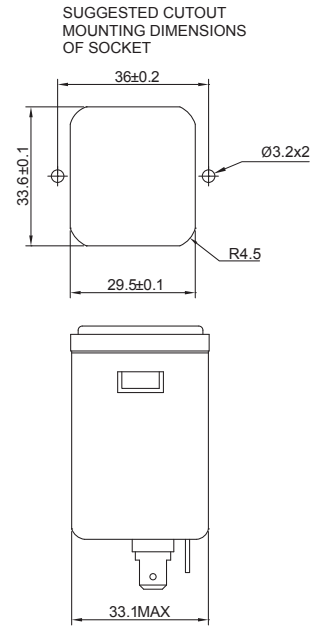
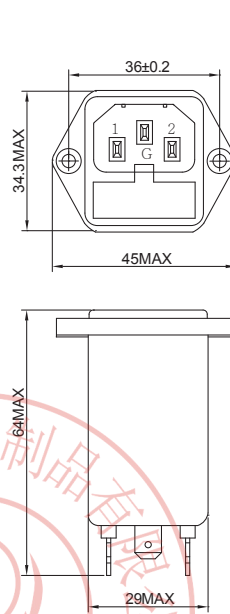
*Please contact us for other parts or spec.

Physical Dimensions: (mm)

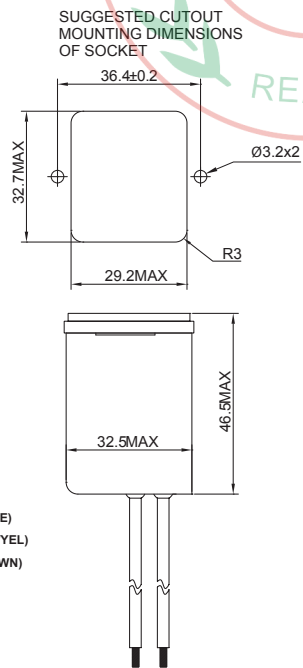
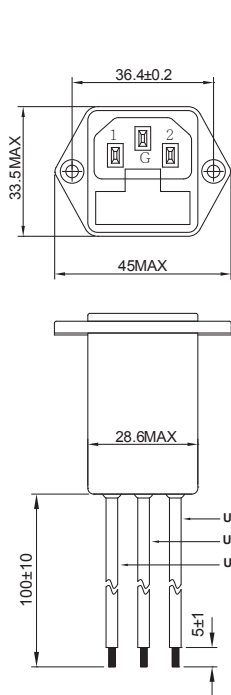
YL-T1



YL-T1-2F



YL (Lead-wire)



UL 1015 18AWG (BLUE)
UL 1015 18AWG (GRN/YEL)
UL 1015 18AWG (BROWN)

Typical filter attenuation (Common mode — Normal mode —)

