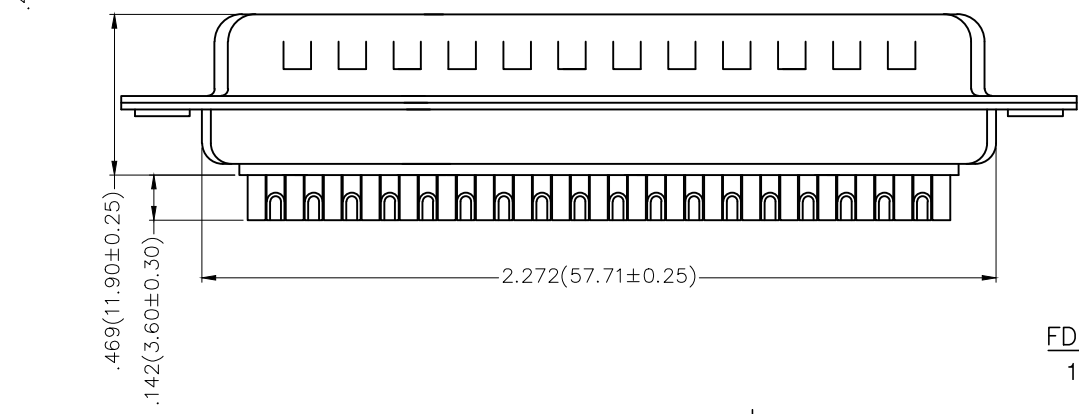
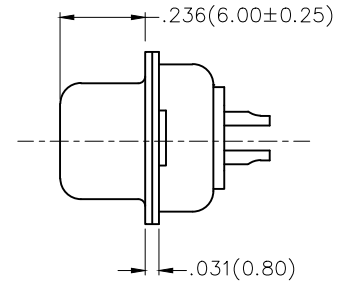
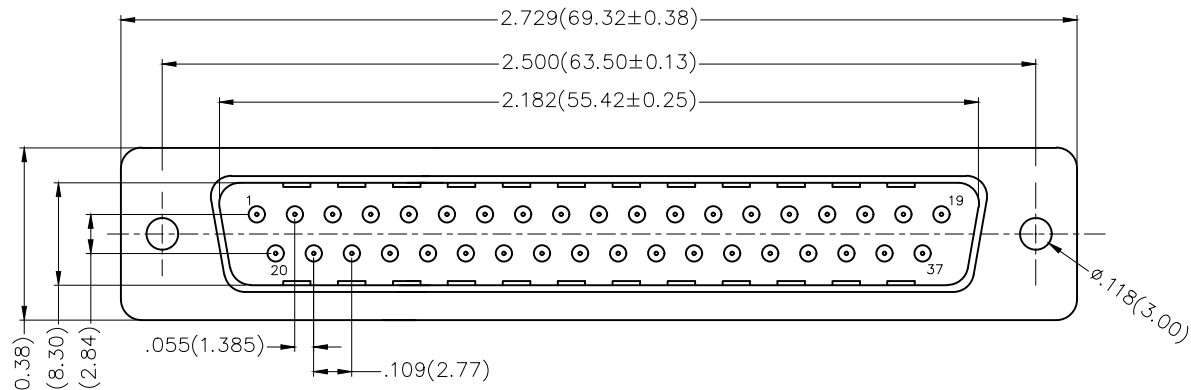


REV	LOCATIONS	DESCRIPTION	DATE	REVSER	APPD



Ordering Information

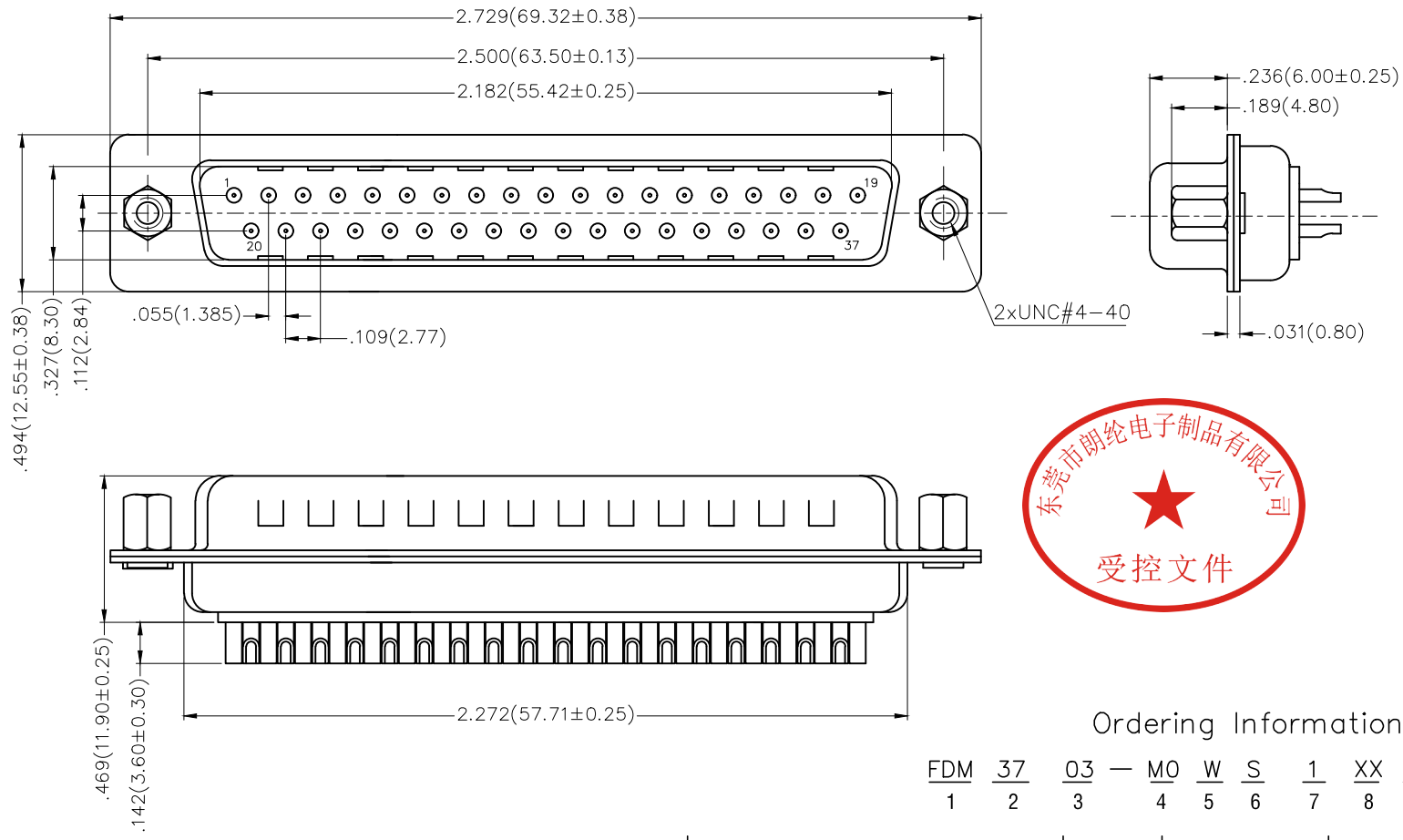
FDM 37 03 — M0 W S 1 XX XX X
 1 2 3 4 5 6 7 8 9 10

Materials And Finish
 Shell: Spcc Material, Front Nickel Plated 80μ" Min
 Back Shell: SPCC, Tin Plated 100μ" Min
 Insulator: Glass Filled Thermoplastic, UL 94V-0
 Contact Material: Brass /Gold Plated
Electrical Characteristic
 Current Rating: 7.5A
 Voltage Rating: 300V
 Contact Resistance: 5mΩ Max
 Dielectric Withstanding Voltage :1000V AC r.m.s
 Insulation Resistance: 5000 MΩ Min.
 Temperature Range—Operating: -55°C ~ +105°C

1 Category	2 Circuits	3 Distinction No.	4 Type	5 Assembly Layout	6 Entry Angle
FDM—Machined pin D—SUB connector	37	03	MO—Male	W—Welding Type	S—180° Vertical
7 Plating	8 Thickness of Plating	9 Color—Resin	10 Packaging		
1—Gold Plated	01—1μ" 03—3μ" Custom plate available	W1—White K6—Black	K—Tray L—Tube		

 THIRD ANGLE PROJECTION	GENERAL TOLERANCES (UNLESS SPECIFIED)		APPROVE BY	DATE	PART NO.	ITEM NO.	 3K-KAMING	
	X.±.012(0.30)	X.±5'	FRANK	23/JUL/13	FDM3703—MOWS1XXXXX	FDM3703		
	DESIGN UNITS	X.X±.008(0.20)	.X'±2'	CHECKED BY	DATE	TITLE		
	Inch (metric)	X.XX±.006(0.15)	.XX'±1'	CHERRY	23/JUL/13	Machined pin D—SUB connector 180° Vertical Male		
SCALE	SIZE	X.XXX±.004(0.10)	.XXX'±0.5'	DRAWN BY	DATE	REV 0 SHEET NO. 1/1		
5:1	A4			JACOB	23/JUL/13			

REV	LOCATIONS	DESCRIPTION	DATE	REVSER	APPD



Ordering Information

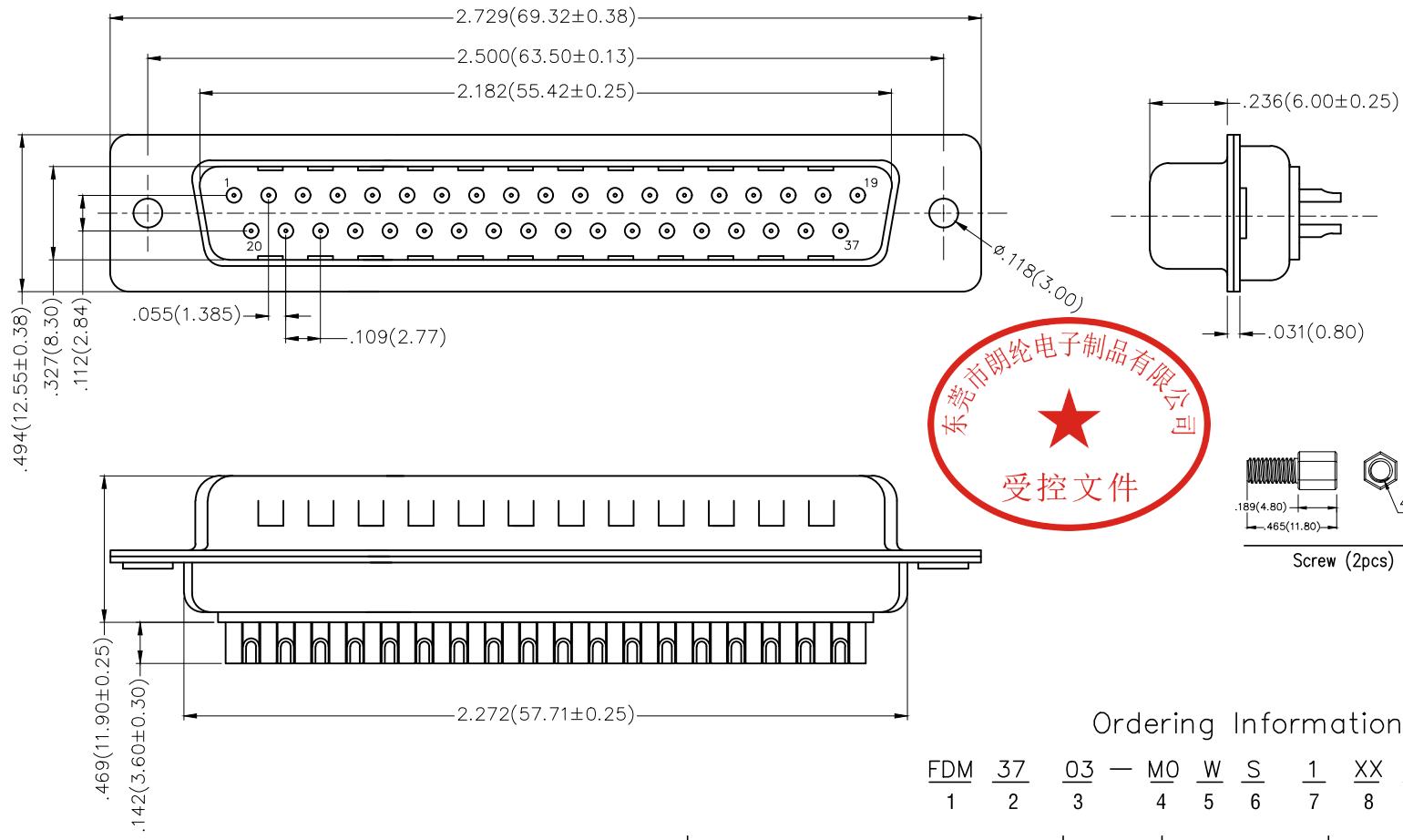
FDM 37 03 — M0 W S 1 XX XX X — B
1 2 3 4 5 6 7 8 9 10 11

Materials And Finish
 Shell: Spcc Material, Front Nickel Plated 80μ" Min
 Back Shell: SPCC, Tin Plated 100μ" Min
 Insulator: Glass Filled Thermoplastic, UL 94V-0
 Contact Material: Brass /Gold Plated
Electrical Characteristic
 Current Rating: 7.5A
 Voltage Rating: 300V
 Contact Resistance: 5mΩ Max
 Dielectric Withstanding Voltage :1000V AC r.m.s
 Insulation Resistance: 5000 MΩ Min.
 Temperature Range—Operating: -55°C ~ +105°C

1 Category FDM—Machined pin D—SUB connector	2 Circuits 37	3 Distinction No. 03	4 Type M0—Male	5 Assembly Layout W—Welding Type	6 Entry Angle S—180° Vertical
7 Plating 1—Gold Plated	8 Thickness of Plating 01—1μ" 03—3μ" Custom plate available	9 Color—Resin W1—White K6—Black	10 Packaging K—Tray L—Tube	11 Distinction Type B—B Type	

 THIRD ANGLE PROJECTION	GENERAL TOLERANCES (UNLESS SPECIFIED)		APPROVE BY FRANK	DATE 23/JUL/13	PART NO. FDM3703—M0WS1XXXXX—B	ITEM NO. FDM3703	 3K-KAMING	
	DESIGN UNITS Inch (metric)	X.±.012(0.30) X.X±.008(0.20)	X.±5° .X±2°	CHECKED BY CHERRY	DATE 23/JUL/13	TITLE Machined pin D—SUB connector 180° Vertical Male		
	SCALE 5:1	SIZE A4	X.XX±.006(0.15) X.XXX±.004(0.10)	.XX±1° .XXX±0.5°	DRAWN BY JACOB	DATE 23/JUL/13		REV 0

REV	LOCATIONS	DESCRIPTION	DATE	REVSER	APPD



Ordering Information

FDM 37 03 — M0 W S 1 XX XX X — C
 1 2 3 4 5 6 7 8 9 10 11

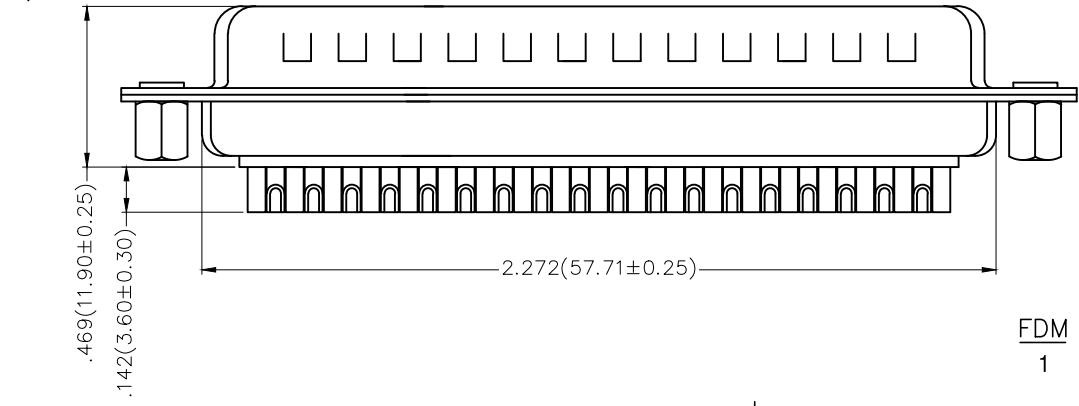
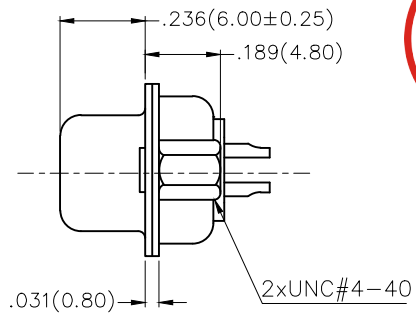
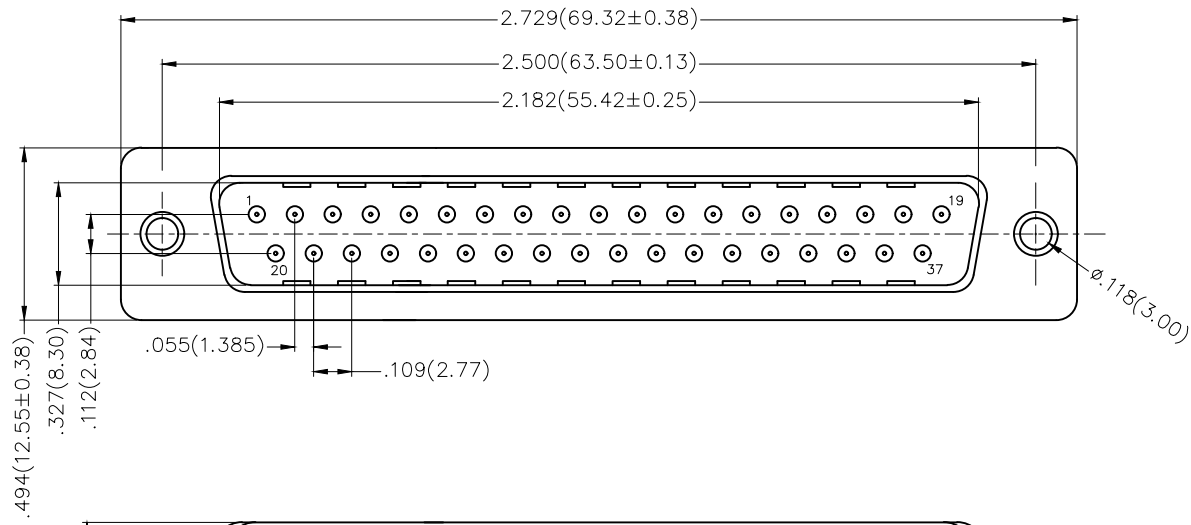
1 Category FDM-Machined pin D-SUB connector	2 Circuits 37	3 Distinction No. 03	4 Type M0-Male	5 Assembly Layout W-Welding Type	6 Entry Angle S-180° Vertical
7 Plating 1-Gold Plated	8 Thickness of Plating 01-1μ" 03-3μ" Custom plate available	9 Color-Resin W1-White K6-Black	10 Packaging K-Tray L-Tube	11 Distinction Type C-C Type	

Materials And Finish
 Shell: Spcc Material, Front Nickel Plated 80μ" Min
 Back Shell: SPCC, Tin Plated 100μ" Min
 Insulator: Glass Filled Thermoplastic, UL 94V-0
 Contact Material: Brass /Gold Plated

Electrical Characteristic
 Current Rating: 7.5A
 Voltage Rating: 300V
 Contact Resistance: 5mΩ Max
 Dielectric Withstanding Voltage :1000V AC r.m.s
 Insulation Resistance: 5000 MΩ Min.
 Temperature Range-Operating: -55°C ~ +105°C

 THIRD ANGLE PROJECTION	GENERAL TOLERANCES (UNLESS SPECIFIED)		APPROVE BY FRANK	DATE 23/JUL/13	PART NO. FDM3703-MOWS1XXXXX-C	ITEM NO. FDM3703	 3K-KAMING
	DESIGN UNITS Inch (metric)	X.±.012(0.30) X.X±.008(0.20) X.XX±.006(0.15) X.XXX±.004(0.10)	X.±5' .X'±2' .XX'±1' .XXX'±0.5'	CHECKED BY CHERRY	DATE 23/JUL/13	TITLE Machined pin D-SUB connector 180° Vertical Male	
SCALE 5:1	SIZE A4		DRAWN BY JACOB	DATE 23/JUL/13	THIS DRAWING CONTAINS INFORMATION THAT IS PROPRIETARY TO DONG GUAN LANG LUN(3K-KAMING) ELECTRONIC PRODUCTS CO.,LTD. AND SHOULD NOT BE USED WITHOUT WRITTEN PERMISSON		REV 0 SHEET NO. 1/1

REV	LOCATIONS	DESCRIPTION	DATE	REVISED	APPD



Ordering Information

FDM 37 03 - M0 W S 1 XX XX X - D
 1 2 3 4 5 6 7 8 9 10 11

Materials And Finish
 Shell: Spcc Material, Front Nickel Plated 80μ" Min
 Back Shell: SPCC, Tin Plated 100μ" Min
 Insulator: Glass Filled Thermoplastic, UL 94V-0
 Contact Material: Brass /Gold Plated
Electrical Characteristic
 Current Rating: 7.5A
 Voltage Rating: 300V
 Contact Resistance: 5mΩ Max
 Dielectric Withstanding Voltage :1000V AC r.m.s
 Insulation Resistance: 5000 MΩ Min.
 Temperature Range-Operating: -55°C ~ +105°C

1 Category FDM-Machined pin D-SUB connector	2 Circuits 37	3 Distinction No. 03	4 Type M0-Male	5 Assembly Layout W-Welding Type	6 Entry Angle S-180° Vertical
7 Plating 1-Gold Plated	8 Thickness of Plating 01-1μ" 03-3μ" Custom plate available	9 Color-Resin W1-White K6-Black	10 Packaging K-Tray L-Tube	11 Distinction Type D-D Type	

 THIRD ANGLE PROJECTION	GENERAL TOLERANCES (UNLESS SPECIFIED)		APPROVE BY FRANK	DATE 23/JUL/13	PART NO. FDM3703-MOWS1XXXXX-D	ITEM NO. FDM3703	 3K-KAMING	
	DESIGN UNITS Inch (metric)	X.±.012(0.30) X.X±.008(0.20) X.XX±.006(0.15) X.XXX±.004(0.10)	X.±5" .X±2" .XX±1" .XXX±0.5"	CHECKED BY CHERRY	DATE 23/JUL/13	TITLE Machined pin D-SUB connector 180° Vertical Male		
	SCALE 5:1	SIZE A4	DRAWN BY JACOB	DATE 23/JUL/13	THIS DRAWING CONTAINS INFORMATION THAT IS PROPRIETARY TO DONG GUAN LANG LUN(3K-KAMING) ELECTRONIC PRODUCTS CO.,LTD. AND SHOULD NOT BE USED WITHOUT WRITTEN PERMISSION			

REV 0 SHEET NO. 1/1