

YM, YMB SERIES (IEC Inlet Filters)



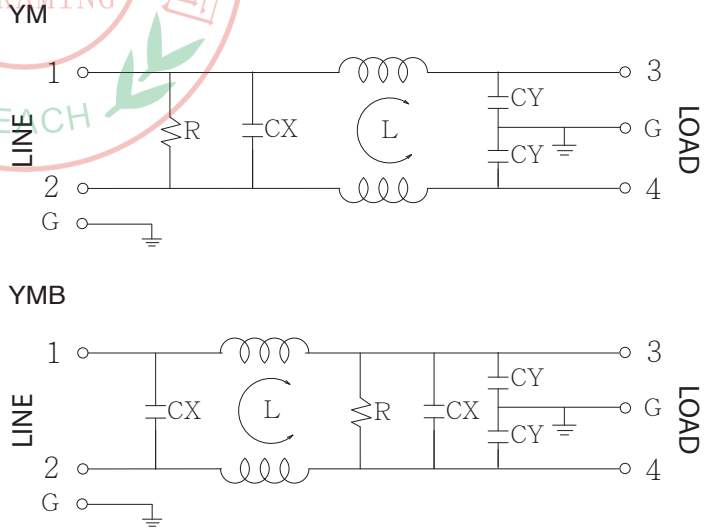
Features

- General purpose filter providing effective EMI suppression of both line-to-line and line-to-ground noise.
- Low leakage current version upon requested.
- Approved by CE
- YM15T1 is approved by UL.
- Applications comprising Electrical and electronic equipment, UPS, Single-phase power supplies, Power Inverter.
- Custom-specific versions are available on request

Technical Specification

Rated voltage	125/250VAC
Rated currents	up to 20A
Operating frequency	50/60Hz
Hipot rating(Line-to-line)	1450VDC
Hipot rating(Line-to-ground)	2250VDC
Operating temperature	-25~+85°C
Safety compliance	CE, YM15T1(UL)

Typical electrical schematic

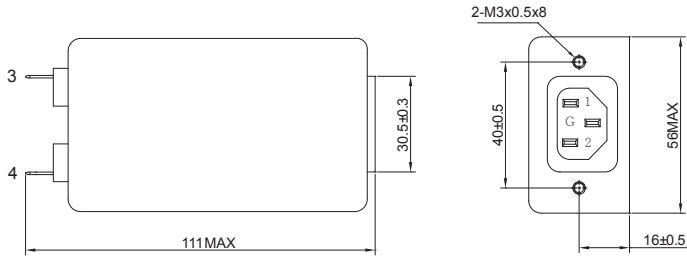


Filter Selection Table

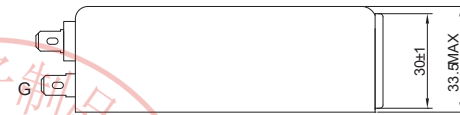
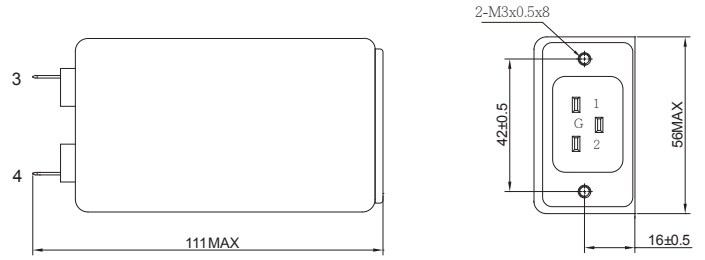
Part No.	Rated Current (A)	Inductance L(mH)	Capacitance CX(μ F)	Capacitance CY(pF)	Resistance R(ohm)	Output connections
YM15T1	15					Fast-on terminal
YM16T1	16					
YMB10T1	10					

Physical Dimensions: (mm)

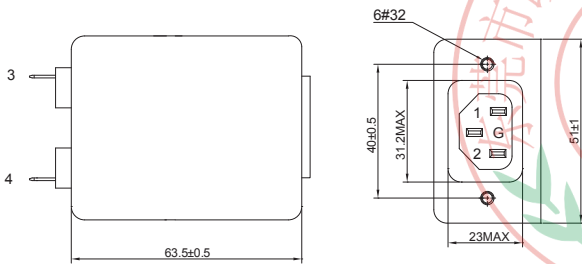
YM15T1



YM16T1



YMB



Typical filter attenuation (Common mode — Normal mode —)

