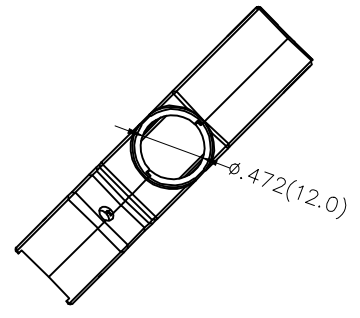
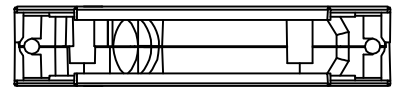
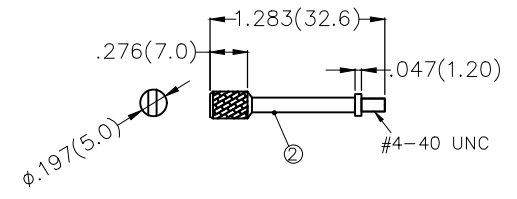
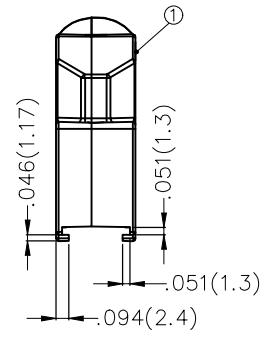
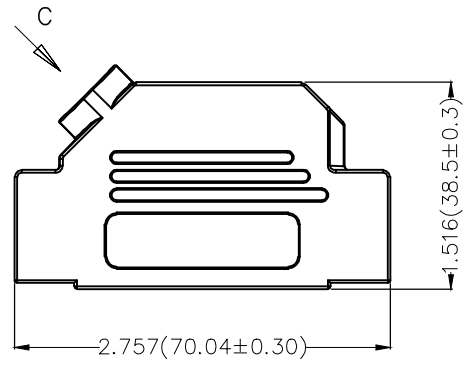
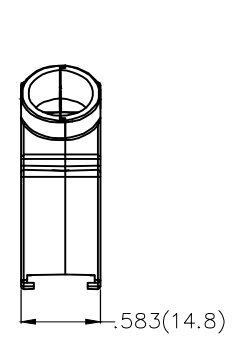
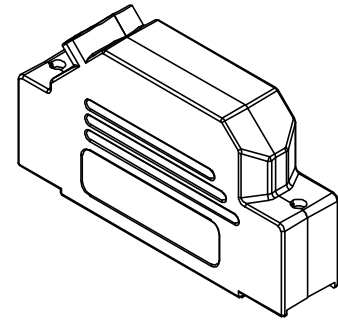
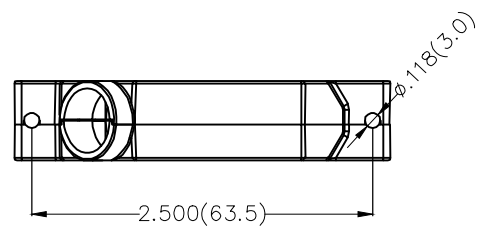
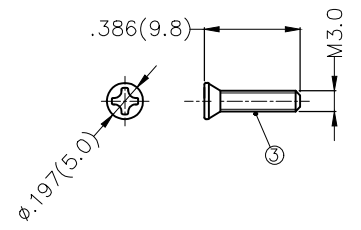


REV	LOCATIONS	DESCRIPTION	DATE	REVISER	APPD



View from "C"



BOM LIST			
Item	Part name	Q'ty	Notes
①	Metal hood	2	Zinc alloy/ Ni plated
②	Long screw	2	#4-40 UNC, Steel/ Ni plated
③	Screw for hood	2	M3.0, Steel/ Ni plated

 THIRD ANGLE PROJECTION DESIGN UNITS Inch (metric) SCALE 5:1 SIZE A4	GENERAL TOLERANCES (UNLESS SPECIFIED)		APPROVE BY FRANK	DATE 12/OCT/19	PART NO. FDB3703-C200B	ITEM NO. FDB3703-C	 3K-KAMING®	
	X.±.012(0.30)	X.±5'	CHECKED BY CHERRY	DATE 12/OCT/19	TITLE D-SUB Connectors 37 Circuits Cover			REV 0
	X.X±.008(0.20)	.X±2'	DRAWN BY KATE	DATE 12/OCT/19	THIS DRAWING CONTAINS INFORMATION THAT IS PROPRIETARY TO DONG GUAN LANG LUN(3K-KAMING) ELECTRONIC PRODUCTS CO.,LTD. AND SHOULD NOT BE USED WITHOUT WRITTEN PERMISSION			
	X.XX±.006(0.15)	.XX±1'						
	X.XXX±.004(0.10)	.XXX±0.5'						