

YMA SERIES (IEC Inlet Filters)



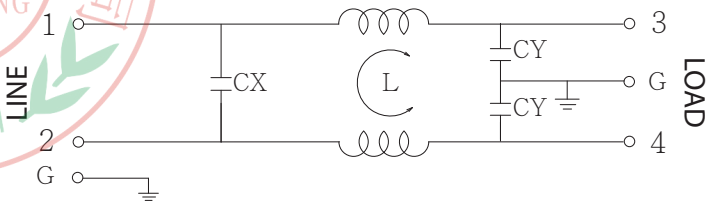
Features

- General purpose filters with IEC connector providing effective EMI suppression of line to line and line to ground noise.
- Offer in screw-in & snap-in two versions with fast-on terminal.
- All parts are approved by UL, CSA and CE
- Applications comprising Electrical and electronic equipment, Rack mounting equipment, Single-phase power supplies
- Custom-specific versions are available on request

Technical Specification

Rated voltage	125/250VAC
Rated currents	up to 20A
Operating frequency	50/60Hz
Hipot rating(Line-to-line)	1450VDC
Hipot rating(Line-to-ground)	2250VDC
Operating temperature	-25~+85°C
Safety compliance	UL, CSA, CE

Typical electrical schematic

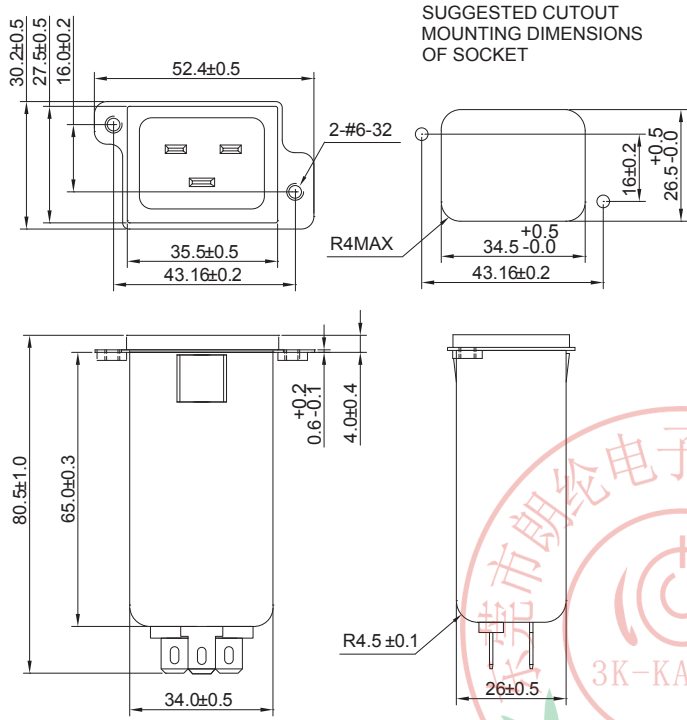


Filter Selection Table

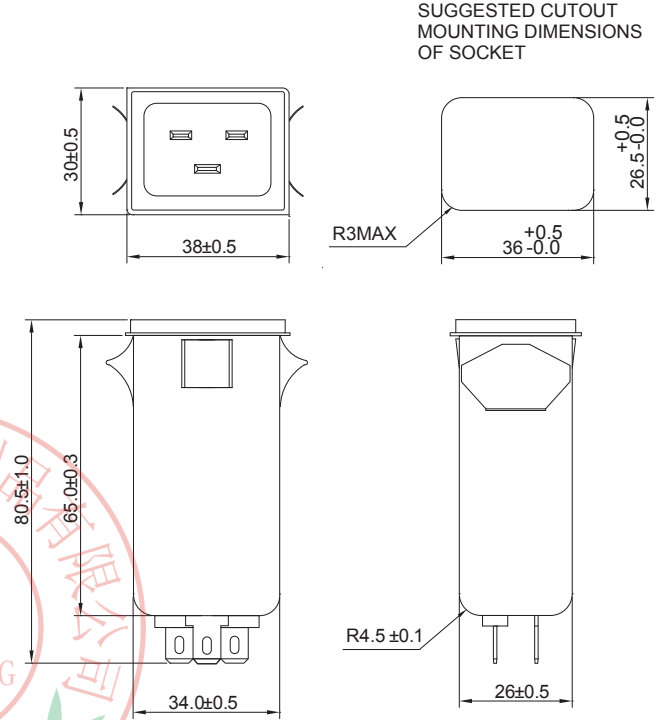
Part No.	Rated Current (A)	Inductance L(mH)	Capacitance CX(μ F)	Capacitance CY(pF)	Output connections
YMA15A1	15				Fast-on terminal
YMA20A1-MA	20				
YMA20A1-MO	20				

Physical Dimensions: (mm)

YMA-MA

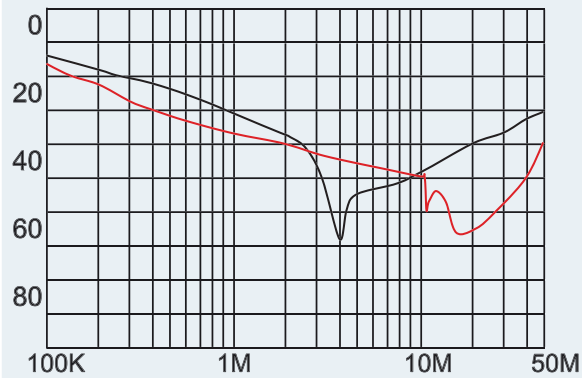


YMA-MO



Typical filter attenuation (Common mode — Normal mode —)

YMA15



YMA20

