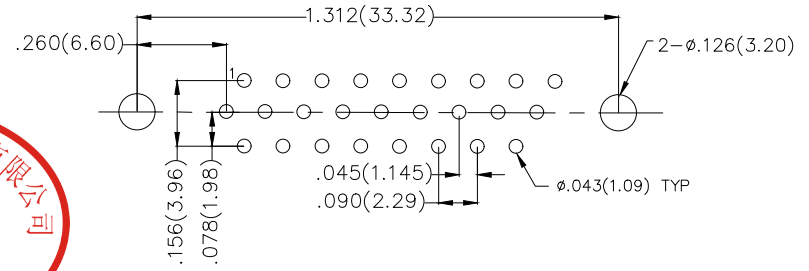
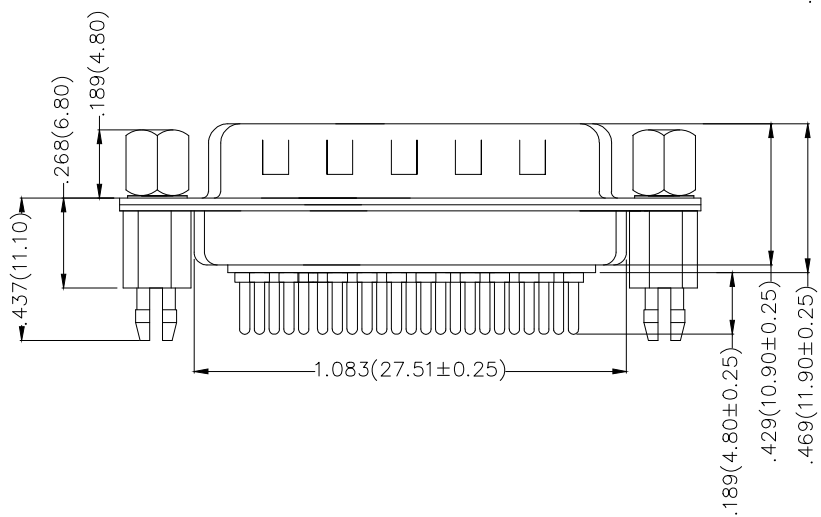
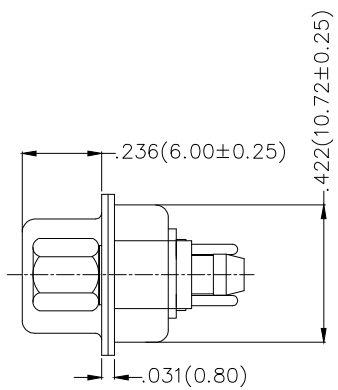
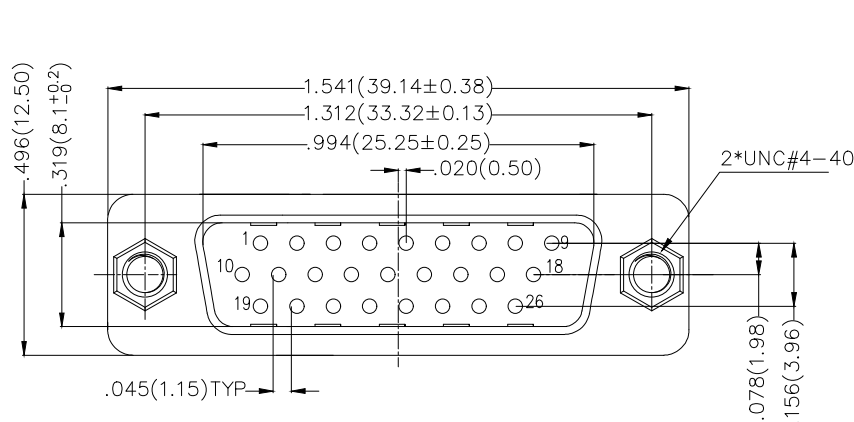


REV	LOCATIONS	DESCRIPTION	DATE	REVISER	APPD



Recommended P.C. Board Layout

### Ordering Information

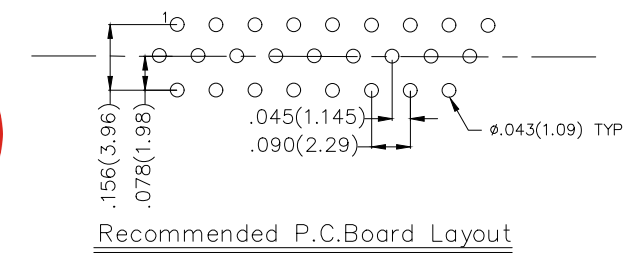
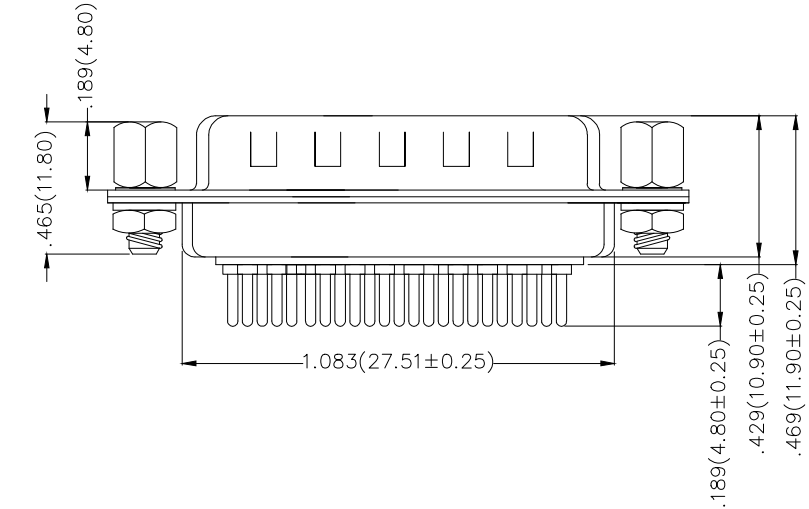
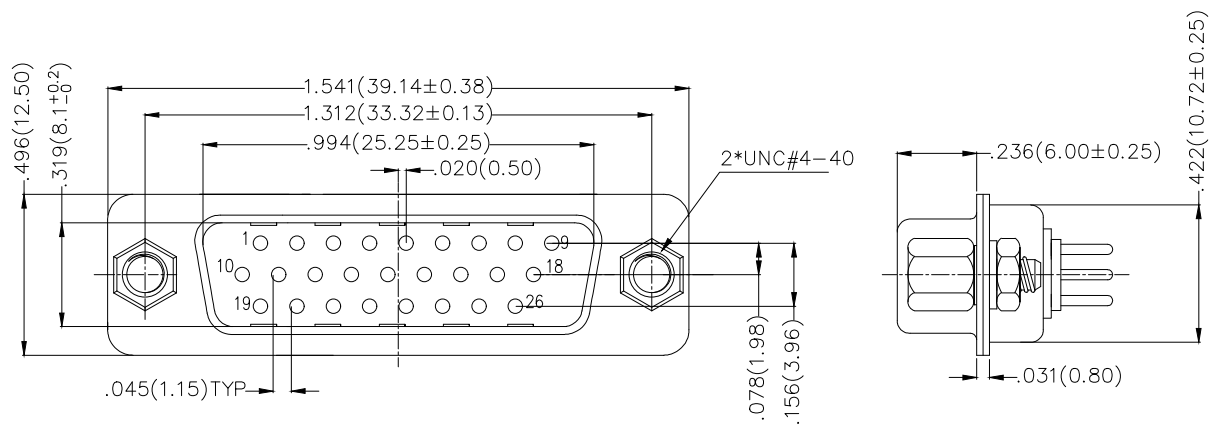
FDM 26 15 — M0 D S 1 XX XX X  
 1 2 3 4 5 6 7 8 9 10

1 Category FDM-Machined pin D-SUB connector	2 Circuits 26	3 Distinction No. 15	4 Type M0-Male	5 Assembly Layout D-DIP
6 Entry Angle S-180° Vertical	7 Plating 1-Gold Plated	8 Thickness of Plating 01-1μ" 03-03μ"	9 Color-Resin W1-White K6-Black	10 Packaging K-Tray L-Tube

Materials And Finish  
 Shell: Steel Material, Front Nickel Plated  
 Back Shell Tin Plated  
 Insulator: PBT Thermoplastic, UL 94V-0, Colour: Black  
 Contact Material: Brass / Gold Plated  
 Electrical Characteristic  
 Contact Current Rating: 5A  
 Contact Resistance : 30mΩ Max  
 Dielectric Withstanding Voltage : 1000V AC r.m.s Min  
 Insulation Resistance: 5000 Megaohms Min.  
 Temperature Range-Operating: -55°C ~ +105°C

THIRD ANGLE PROJECTION	GENERAL TOLERANCES (UNLESS SPECIFIED)		APPROVE BY	DATE	PART NO.	ITEM NO.	3K-KAMING®
	DESIGN UNITS Inch (metric)	X.±.012(0.30)	X.'±5'	FRANK	23/JUL/13	FDM2615-MODS1XXXXX	
SCALE 5:1	X.X±.008(0.20)	.X'±2'	CHECKED BY	DATE	TITLE		REV 0
SIZE A4	X.XX±.006(0.15)	.XX'±1'	CHERRY	23/JUL/13	Machined pin D-SUB connector 180° Vertical Male		SHEET NO. 1/1
	X.XXX±.004(0.10)	.XXX'±0.5'	DRAWN BY	DATE	THIS DRAWING CONTAINS INFORMATION THAT IS PROPRIETARY TO DONG GUAN LANG LUN(3K-KAMING) ELECTRONIC PRODUCTS CO.,LTD. AND SHOULD NOT BE USED WITHOUT WRITTEN PERMISSION		
			JACOB	23/JUL/13			

REV	LOCATIONS	DESCRIPTION	DATE	REVISER	APPD



### Ordering Information

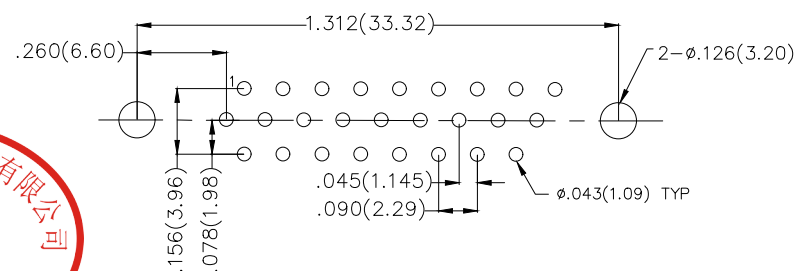
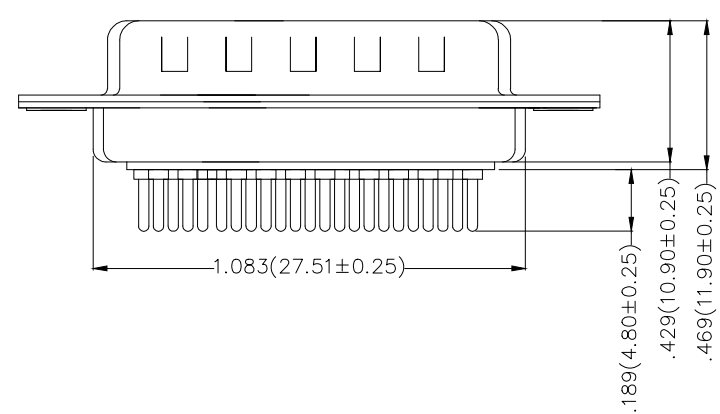
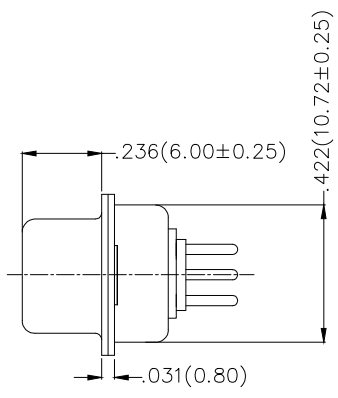
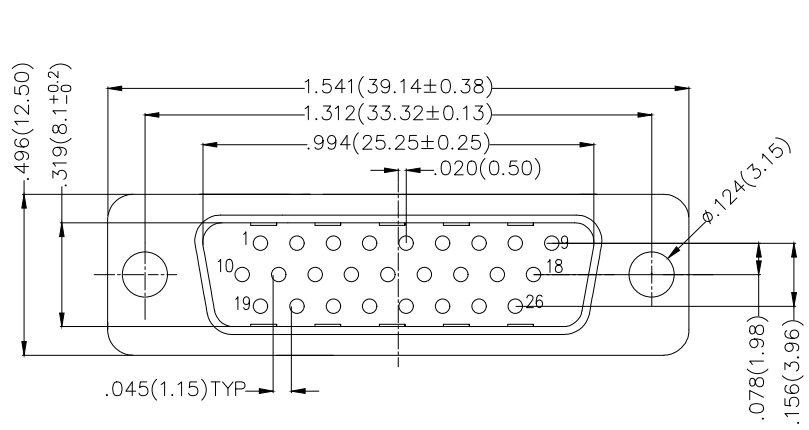
FDM 26 15 — M0 D S 1 XX XX X A  
 1 2 3 4 5 6 7 8 9 10 11

1 Category FDM—Machined pin D—SUB connector	2 Circuits 26	3 Distinction No. 15	4 Type M0—Male	5 Assembly Layout D—DIP	
6 Entry Angle S—180° Vertical	7 Plating 1—Gold Plated	8 Thickness of Plating 01—1μ* 03—03μ*	9 Color—Resin W1—White K6—Black	10 Packaging K—Tray L—Tube	11 Distinction Type A—Type A

Materials And Finish  
 Shell: Steel Material, Front Nickel Plated  
 Back Shell Tin Plated  
 Insulator: PBT Thermoplastic, UL 94V-0, Colour: Black  
 Contact Material: Brass /Gold Plated  
 Electrical Characteristic  
 Contact Current Rating: 5A  
 Contact Resistance : 30mΩ Max  
 Dielectric Withstanding Voltage : 1000V AC r.m.s Min  
 Insulation Resistance: 5000 Megaohms Min.  
 Temperature Range—Operating: -55°C ~ +105°C

THIRD ANGLE PROJECTION	GENERAL TOLERANCES (UNLESS SPECIFIED)		APPROVE BY FRANK	DATE 23/JUL/13	PART NO. FDM2615—MODS1XXXXXA	ITEM NO. FDM2615	
	DESIGN UNITS Inch (metric)	X.±.012(0.30) X.X±.008(0.20) X.XX±.006(0.15) X.XXX±.004(0.10)	X.±5° .X±2° .XX±1° .XXX±0.5°	CHECKED BY CHERRY	DATE 23/JUL/13	TITLE Machined pin D—SUB connector 180° Vertical Male	
SCALE 5:1	SIZE A4	DRAWN BY JACOB		DATE 23/JUL/13	THIS DRAWING CONTAINS INFORMATION THAT IS PROPRIETARY TO DONG GUAN LANG LUN(3K-KAMING) ELECTRONIC PRODUCTS CO., LTD. AND SHOULD NOT BE USED WITHOUT WRITTEN PERMISSION		

REV	LOCATIONS	DESCRIPTION	DATE	REVISER	APPD



Recommended P.C.Board Layout

### Ordering Information

FDM 26 15 — M0 D S 1 XX XX X B  
 1 2 3 4 5 6 7 8 9 10 11

1 Category FDM-Machined pin D-SUB connector	2 Circuits 26	3 Distinction No. 15	4 Type M0-Male	5 Assembly Layout D-DIP	
6 Entry Angle S-180° Vertical	7 Plating 1-Gold Plated	8 Thickness of Plating 01-1μ" 03-03μ"	9 Color-Resin W1-White K6-Black	10 Packaging K-Tray L-Tube	11 Distinction Type B-Type B

Materials And Finish  
 Shell: Steel Material, Front Nickel Plated  
 Back Shell Tin Plated  
 Insulator: PBT Thermoplastic, UL 94V-0, Colour: Black  
 Contact Material: Brass /Gold Plated  
 Electrical Characteristic  
 Contact Current Rating: 5A  
 Contact Resistance : 30mΩ Max  
 Dielectric Withstanding Voltage : 1000V AC r.m.s Min  
 Insulation Resistance: 5000 Megaohms Min.  
 Temperature Range-Operating: -55°C ~ +105°C

THIRD ANGLE PROJECTION	GENERAL TOLERANCES (UNLESS SPECIFIED)		APPROVE BY FRANK	DATE 23/JUL/13	PART NO. FDM2615-MODS1XXXXXB	ITEM NO. FDM2615			
	X.±.012(0.30)	.X'±5'	CHECKED BY CHERRY	DATE 23/JUL/13	TITLE Machined pin D-SUB connector 180° Vertical Male			REV 0	SHEET NO. 1/1
	DESIGN UNITS Inch (metric)	X.XX±.008(0.20)	.X'±2'	DRAWN BY JACOB	DATE 23/JUL/13	THIS DRAWING CONTAINS INFORMATION THAT IS PROPRIETARY TO DONG GUAN LANG LUN(3K-KAMING) ELECTRONIC PRODUCTS CO.,LTD. AND SHOULD NOT BE USED WITHOUT WRITTEN PERMISSION			
SCALE 5:1	SIZE A4	X.XX±.006(0.15)	.XX±1'						
		X.XXX±.004(0.10)	.XXX±0.5'						