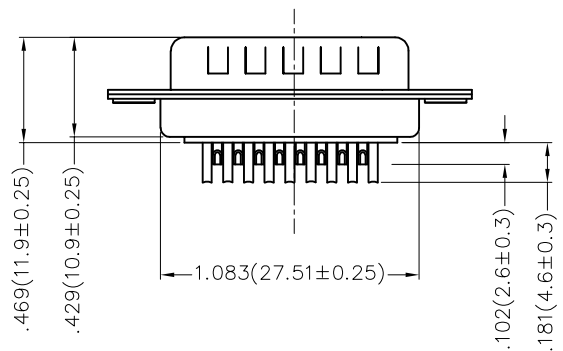
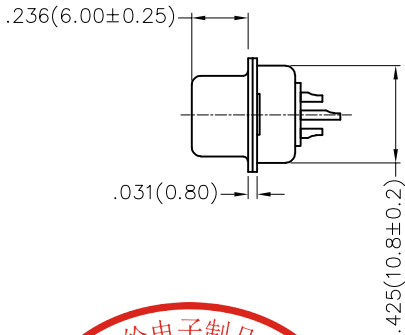
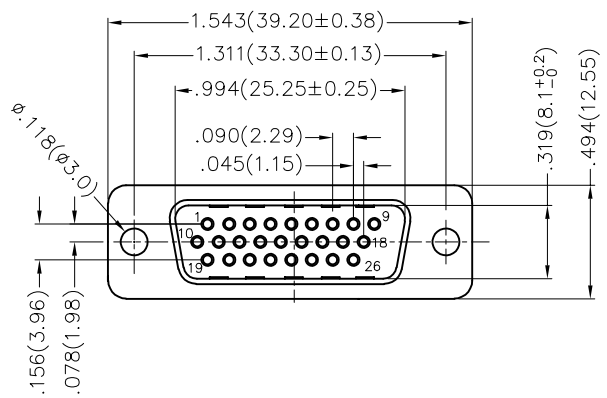


REV	LOCATIONS	DESCRIPTION	DATE	REVISER	APPD



Ordering Information

FDM 26 11 — M0 W S 1 XX XX X
 1 2 3 4 5 6 7 8 9 10

Materials And Finish
 Shell: Spcc Material, Front Nickel Plated 80µ" Min
 Back Shell: SPCC, Tin Plated 100µ" Min
 Insulator: Glass Filled Thermoplastic, UL 94V-0
 Contact Material: Brass /Gold Plated
Electrical Characteristic
 Current Rating: 5.0A
 Voltage Rating: 300V
 Contact Resistance: 30mΩ Max
 Dielectric Withstanding Voltage :1000V AC r.m.s
 Insulation Resistance: 5000 MΩ Min.
 Temperature Range—Operating: -55°C ~ +105°C

1 Category FDM—Machined pin D—SUB connector	2 Circuits 26	3 Distinction No. 11	4 Type M0—Male	5 Assembly Layout W—Welding Type
6 Entry Angle S—180° Vertical	7 Plating 1—Gold Plated	8 Thickness of Plating 01—1µ" 03—3µ" Custom plate available	9 Color—Resin W1—White K6—Black	10 Packaging K—Tray L—Tube

 THIRD ANGLE PROJECTION	GENERAL TOLERANCES (UNLESS SPECIFIED)		APPROVE BY FRANK	DATE 23/JUL/13	PART NO. FDM2611—MOWS1XXXXX	ITEM NO. FDM2611—M0	 3K-KAMI NG
	DESIGN UNITS Inch (metric)	X.X±.012(0.30) X.X±.008(0.20)	X'.±5' .X'±2'	CHECKED BY CHERRY	DATE 23/JUL/13	TITLE Machined pin D—SUB connector 180° Vertical Male	
SCALE 5:1	SIZE A/L	X.XX±.006(0.15) X.XXX±.004(0.10)	.XX'±1' .XXX'±0.5'	DRAWN BY JACOB	DATE 23/JUL/13	THIS DRAWING CONTAINS INFORMATION THAT IS PROPRIETARY TO DONG GUAN LANG LUN(3K-KAMI NG) ELECTRONIC PRODUCTS CO., LTD. AND SHOULD NOT BE USED WITHOUT WRITTEN PERMISSION	

REV 0 SHEET NO. 1/1