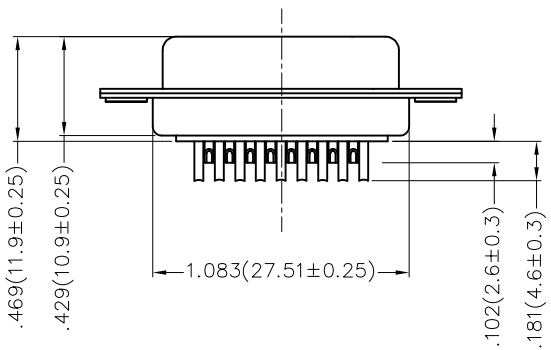
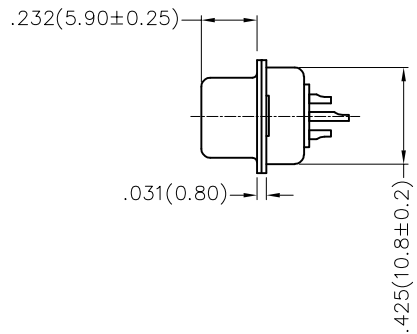
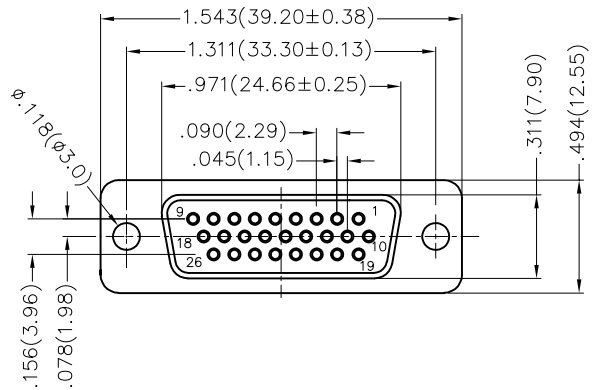


REV	LOCATIONS	DESCRIPTION	DATE	REVISED	APPD



Ordering Information

FDM 26 11 — FO W S 1 XX XX X
 1 2 3 4 5 6 7 8 9 10

Materials And Finish
 Shell: Spcc Material, Front Nickel Plated 80μ" Min
 Back Shell: SPCC, Tin Plated 100μ" Min
 Insulator: Glass Filled Thermoplastic, UL 94V-0
 Contact Material: Brass /Gold Plated
Electrical Characteristic
 Current Rating: 5.0A
 Voltage Rating: 300V
 Contact Resistance: 30mΩ Max
 Dielectric Withstanding Voltage :1000V AC r.m.s
 Insulation Resistance: 5000 MΩ Min.
 Temperature Range—Operating: -55°C ~ +105°C

1 Category FDM—Machined pin D—SUB connector	2 Circuits 26	3 Distinction No. 11	4 Type FO—Female	5 Assembly Layout W—Welding Type
6 Entry Angle S—180° Vertical	7 Plating 1—Gold Plated	8 Thickness of Plating 01—1μ" 03—3μ" Custom plate available	9 Color—Resin W1—White K6—Black	10 Packaging K—Tray L—Tube

 THIRD ANGLE PROJECTION DESIGN UNITS Inch (metric) SCALE 5:1 SIZE A4	GENERAL TOLERANCES (UNLESS SPECIFIED)		APPROVE BY FRANK	DATE 23/JUL/13	PART NO. FDM2611—FOWS1XXXXX	ITEM NO. FDM2611—FO	 3K-KAMI NG REV 0 SHEET NO. 1/1
	X.±.012(0.30)	X.±5°	CHECKED BY CHERRY	DATE 23/JUL/13	TITLE Machined pin D—SUB connector 180° Vertical Male		
	X.XX±.008(0.20)	.X'±2"	DRAWN BY JACOB	DATE 23/JUL/13	THIS DRAWING CONTAINS INFORMATION THAT IS PROPRIETARY TO DONG GUAN LANG LUN(3K-KAMI NG) ELECTRONIC PRODUCTS CO.,LTD. AND SHOULD NOT BE USED WITHOUT WRITTEN PERMISSION		