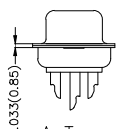
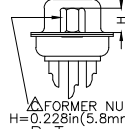
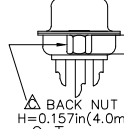
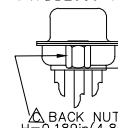
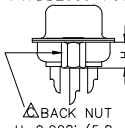
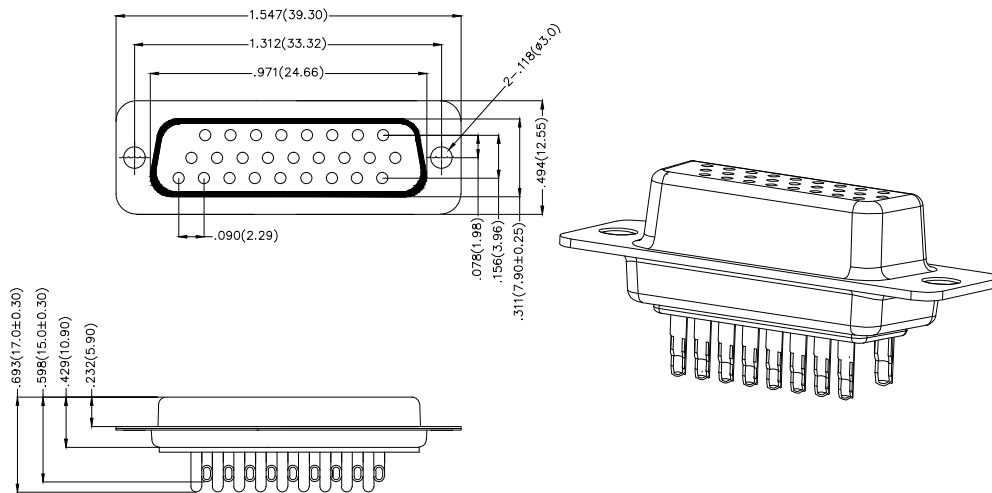


REV	LOCATIONS	DESCRIPTION	DATE	REVISER	APPD

Products Categories: A.B.C.D.E

Part No.:FDB2606-F0WS3XXXXXA	Part No.:FDB2606-F0WS3XXXXXB	Part No.:FDB2606-F0WS3XXXXXC
 A Type	 FORMER NUT H=0.228in(5.8mm) B Type	 BACK NUT H=0.157in(4.0mm) C Type
Part No.:FDB2606-F0WS3XXXXXD	Part No.:FDB2606-F0WS3XXXXXE	
 BACK NUT H=0.189in(4.8mm) D Type	 BACK NUT H=0.228in(5.8mm) E Type	



### Ordering Information

FDB 26 06 - F0 W S 3 XX XX X X  
1 2 3 4 5 6 7 8 9 10 11

1   Category FDB- D-SUB	2   Circuits 26	3   Distinction No. 06	4   Type F0-Female	5   Assembly Layout W-Welding Type	6   Entry Angle S-Vertical
7   Plating 3-Half Gold/Tin	8   Thickness of Gold Plating 00-Gold Flash 03-3u" ..... Custom Plate Available	9   Color-Resin K6-Black U1-Blue	10   Packaging K-Tray L-Tube	11   Products Categories A-A Type B-B Type C-C Type D-D Type E-E Type	



### SPECIFICATIONS

#### Electrical

- Current Rating: 3A AC(rms)/DC
- Voltage Rating: 250V AC(rms)/DC
- Contact Resistance: 25 mΩ Max
- Insulation Resistance: 1000 MΩ MIN
- Withstanding Voltage: 500V AC r.m.s
- Temperature Range-Operating: -55°C~+105°C

#### Material and Finish

- Housing: PBT UL 94V-0
- Contact: Copper Alloy/Gold Flash Plated On Contact Area Tin Plated On Solderails, Nickel Under Plated Over All/Gold Plated Options
- Shell: Spcc/Nickel Plated Over All
- Screws: Copper Alloy/Nickel Plated Over All

 THIRD ANGLE PROJECTION DESIGN UNITS Inch (metric) SCALE 5:1 SIZE A4	GENERAL TOLERANCES (UNLESS SPECIFIED)		APPROVE BY FRANK	DATE 28/JUN/13	PART NO. FDB2606-F0WS3XXXXX	ITEM NO. FDB2606	 3K-KAMING REV 0 SHEET NO. 1/1
	X.±.012(0.30)	X.±5'	CHECKED BY JACOB	DATE 28/JUN/13	TITLE D-SUB 26PIN FEMALE CONN		
	X.XX±.006(0.15)	.XX'±1'	DRAWN BY CHERRY	DATE 28/JUN/13	THIS DRAWING CONTAINS INFORMATION THAT IS PROPRIETARY TO DONG GUAN LANG LUN(3K-KAMING) ELECTRONIC PRODUCTS CO.,LTD. AND SHOULD NOT BE USED WITHOUT WRITTEN PERMISSION		