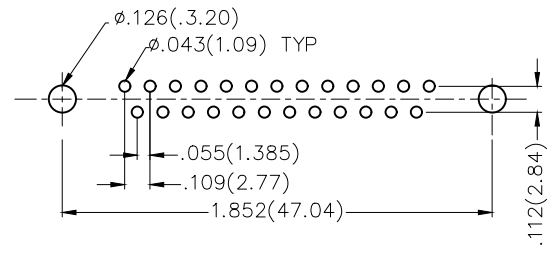
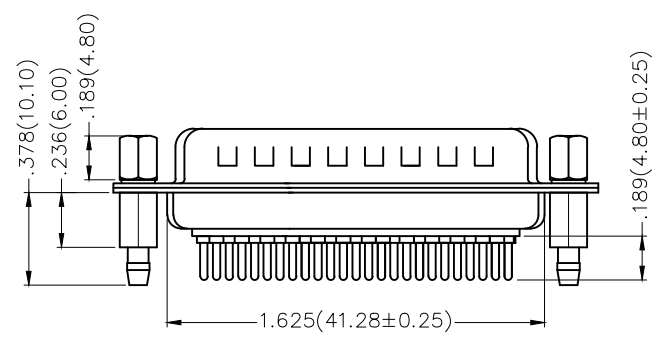
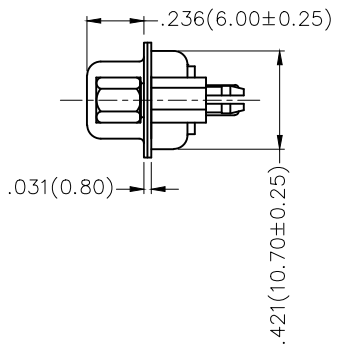
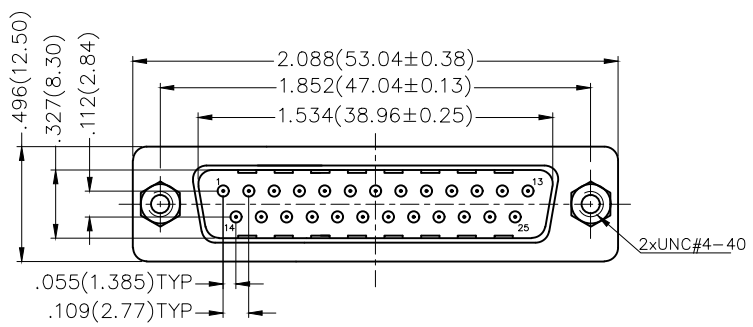


REV	LOCATIONS	DESCRIPTION	DATE	REVSER	APPD



Recommended P.C.Board Layout



Ordering Information

FDM 25 04 — MO D S 1 XX XX X
 1 2 3 4 5 6 7 8 9 10

1 Category FDM—Machined pin D—SUB connector	2 Circuits 25	3 Distinction No. 04	4 Type MO—Male	5 Assembly Layout D—DIP
6 Entry Angle S—180° Vertical	7 Plating 1—Gold Plated	8 Thickness of Plating 01—1μ" 03—3μ" Custom plate available	9 Color—Resin W1—White K6—Black	10 Packaging K—Tray L—Tube

Materials And Finish
 Shell: Spcc Material, Front Nickel Plated 80μ" Min
 Back Shell: SPCC, Tin Plated 100μ" Min
 Insulator: Glass Filled Thermoplastic, UL 94V-0
 Contact Material: Brass /Gold Plated
Electrical Characteristic
 Current Rating: 7.5A
 Voltage Rating: 300V
 Contact Resistance: 5mΩ Max
 Dielectric Withstanding Voltage :1000V AC r.m.s
 Insulation Resistance: 5000 MΩ Min.
 Temperature Range—Operating: -55°C ~ +105°C

THIRD ANGLE PROJECTION	GENERAL TOLERANCES (UNLESS SPECIFIED)		APPROVE BY FRANK	DATE 23/JUL/13	PART NO. FDM2504—MODS1XXXXX	ITEM NO. FDM2504	
	DESIGN UNITS Inch (metric)	X.±.012(0.30) X.X±.008(0.20) X.XX±.006(0.15) X.XXX±.004(0.10)	X.±5' .X'±2' .XX'±1' .XXX'±0.5'	CHECKED BY CHERRY	DATE 23/JUL/13	TITLE Machined pin D—SUB connector 180° Vertical Male	
SCALE 5:1	SIZE A4	DRAWN BY JACOB		DATE 23/JUL/13	THIS DRAWING CONTAINS INFORMATION THAT IS PROPRIETARY TO DONG GUAN LANG LUN(3K-KAMING) ELECTRONIC PRODUCTS CO., LTD. AND SHOULD NOT BE USED WITHOUT WRITTEN PERMISSON		