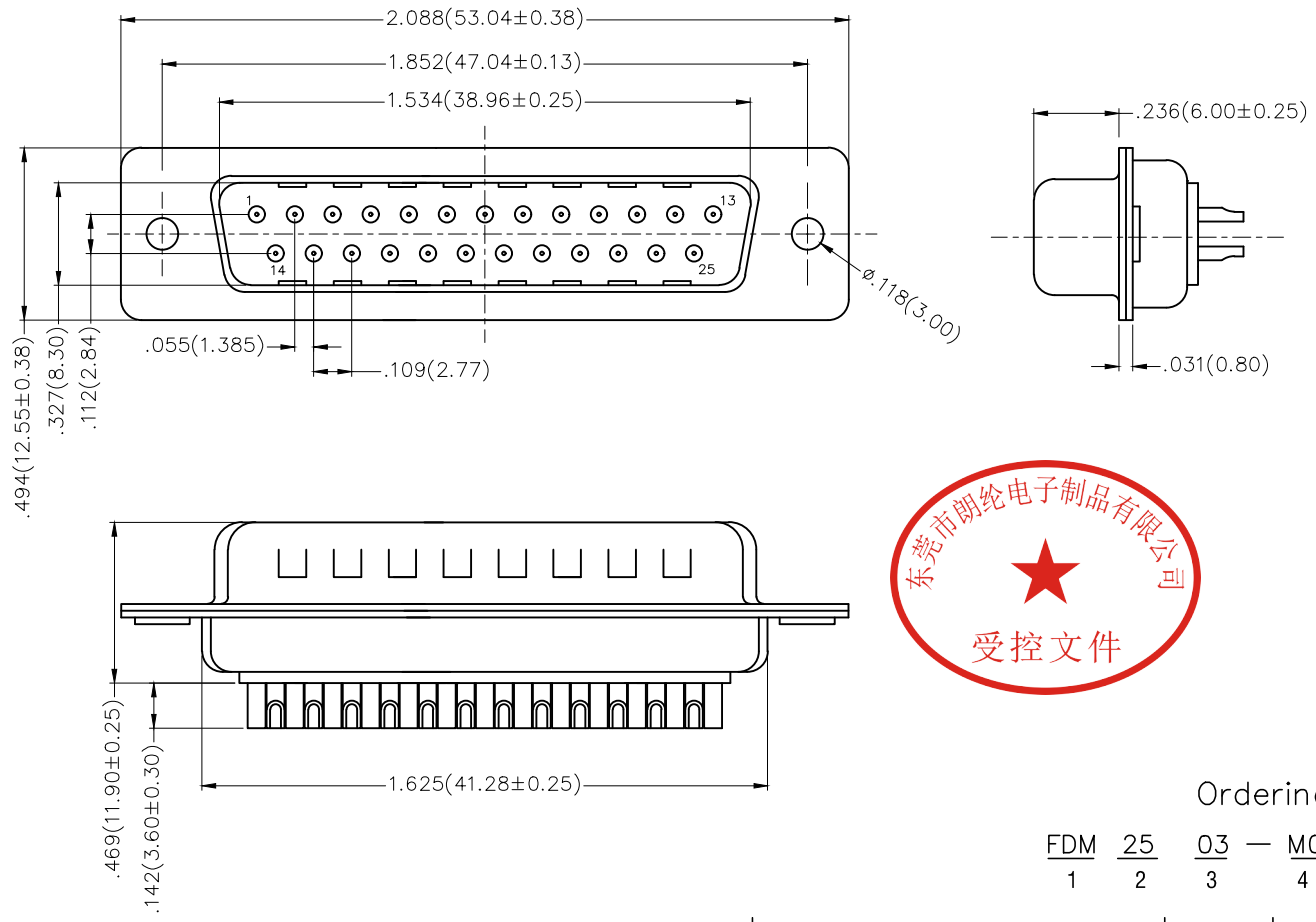


REV	LOCATIONS	DESCRIPTION	DATE	REVISED	APPD




Ordering Information

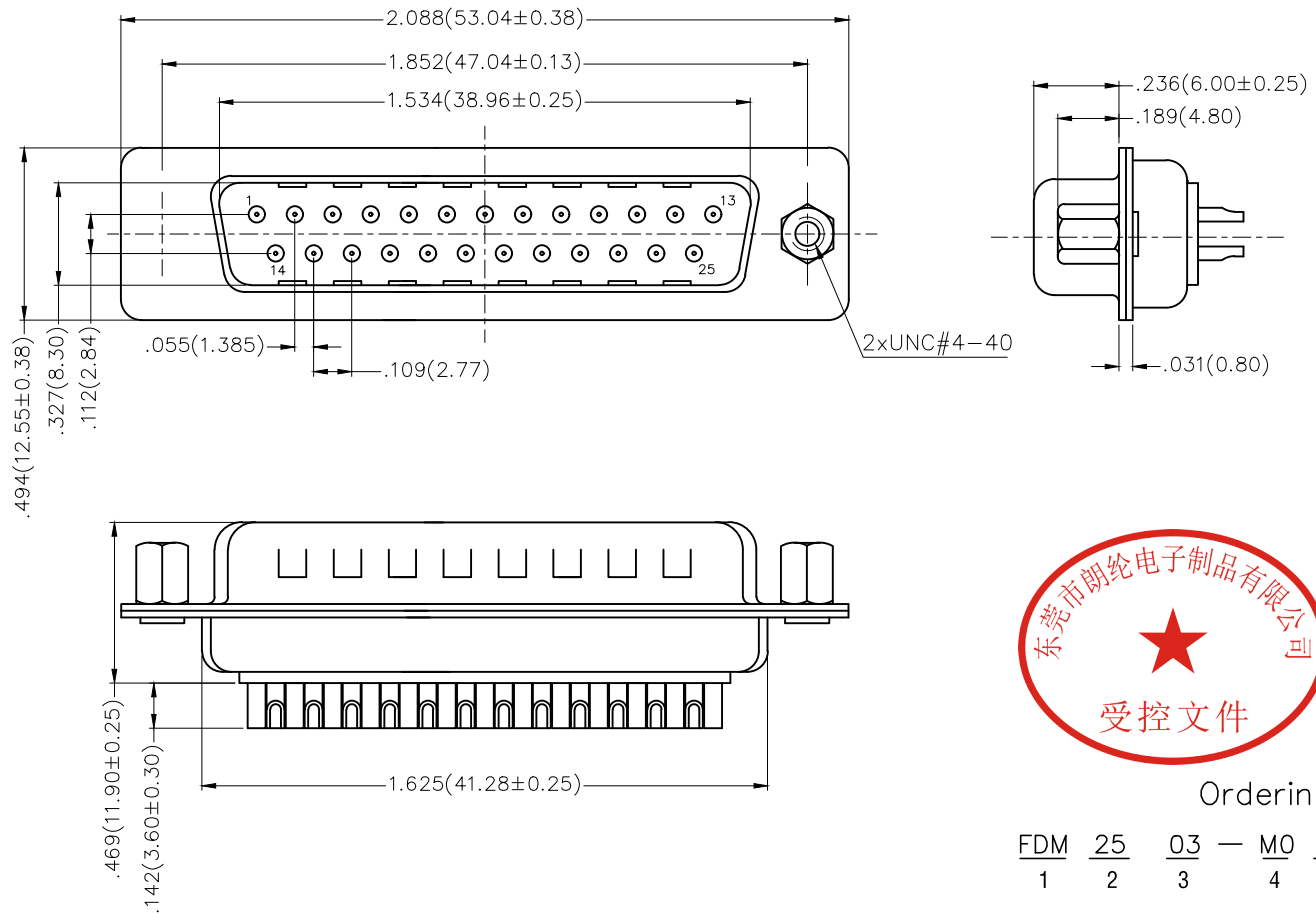
FDM 25 03 — M0 W S 1 XX XX X
1 2 3 4 5 6 7 8 9 10

1 Category	2 Circuits	3 Distinction No.	4 Type	5 Assembly Layout	6 Entry Angle
FDM—Machined pin D—SUB connector	25	03	MO—Male	W—Welding Type	S—180° Vertical
7 Plating	8 Thickness of Plating	9 Color—Resin	10 Packaging		
1—Gold Plated	01—1μ" 03—3μ" Custom plate available	W1—White K6—Black	K—Tray L—Tube		

Materials And Finish
 Shell: Spcc Material, Front Nickel Plated 80μ" Min
 Back Shell: SPCC, Tin Plated 100μ" Min
 Insulator: Glass Filled Thermoplastic, UL 94V-0
 Contact Material: Brass /Gold Plated
Electrical Characteristic
 Current Rating: 7.5A
 Voltage Rating: 300V
 Contact Resistance: 5mΩ Max
 Dielectric Withstanding Voltage :1000V AC r.m.s
 Insulation Resistance: 5000 MΩ Min.
 Temperature Range—Operating: -55°C ~ +105°C

THIRD ANGLE PROJECTION	GENERAL TOLERANCES (UNLESS SPECIFIED)		APPROVE BY	DATE	PART NO.	ITEM NO.	 3K-KAMING
	X.±.012(0.30)	X.±5'	FRANK	23/JUL/13	FDM2503—MOWS1XXXXX	FDM2503	
DESIGN UNITS Inch (metric)	X.X±.008(0.20)	.X±2'	CHECKED BY	DATE	TITLE		REV 0 SHEET NO. 1/1 <small>THIS DRAWING CONTAINS INFORMATION THAT IS PROPRIETARY TO DONG GUAN LANG LUN(3K-KAMING) ELECTRONIC PRODUCTS CO., LTD. AND SHOULD NOT BE USED WITHOUT WRITTEN PERMISSION</small>
SCALE 5:1	X.XX±.006(0.15)	.XX±1'	CHERRY	23/JUL/13	Machined pin D—SUB connector 180° Vertical Male		
SIZE A4	X.XXX±.004(0.10)	.XXX±0.5'	DRAWN BY	DATE			
			JACOB	23/JUL/13			

REV	LOCATIONS	DESCRIPTION	DATE	REVISED	APPD



Ordering Information

FDM 25 03 — M0 W S 1 XX XX X — B
 1 2 3 4 5 6 7 8 9 10 11

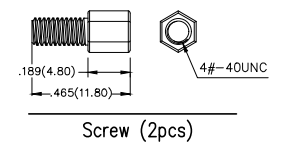
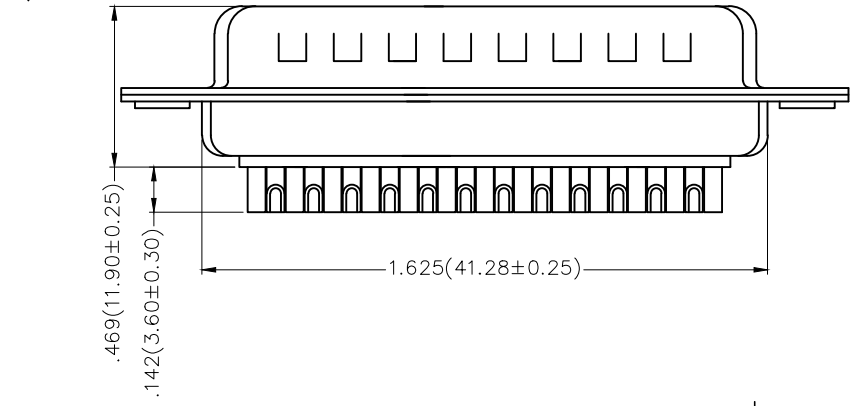
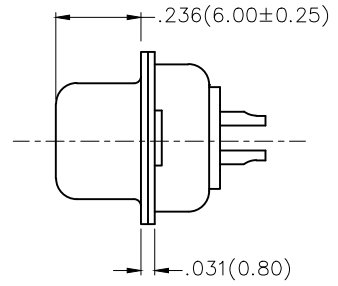
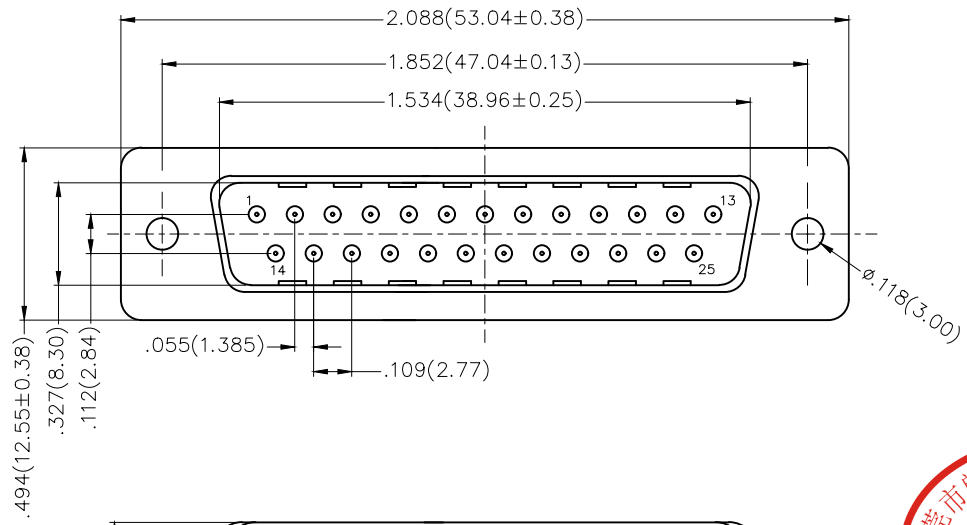
1 Category FDM-Machined pin D-SUB connector	2 Circuits 25	3 Distinction No. 03	4 Type M0-Male	5 Assembly Layout W-Welding Type	6 Entry Angle S-180° Vertical
7 Plating 1-Gold Plated	8 Thickness of Plating 01-1μ" 03-3μ" Custom plate available	9 Color-Resin W1-White K6-Black	10 Packaging K-Tray L-Tube	11 Distinction Type B-B Type	

Materials And Finish
 Shell: Spcc Material, Front Nickel Plated 80μ" Min
 Back Shell: SPCC, Tin Plated 100μ" Min
 Insulator: Glass Filled Thermoplastic, UL 94V-0
 Contact Material: Brass /Gold Plated

Electrical Characteristic
 Current Rating: 7.5A
 Voltage Rating: 300V
 Contact Resistance: 5mΩ Max
 Dielectric Withstanding Voltage :1000V AC r.m.s
 Insulation Resistance: 5000 MΩ Min.
 Temperature Range-Operating: -55°C ~ +105°C

 THIRD ANGLE PROJECTION DESIGN UNITS Inch (metric) SCALE 5:1 SIZE A4	GENERAL TOLERANCES (UNLESS SPECIFIED)		APPROVE BY FRANK	DATE 23/JUL/13	PART NO. FDM2503-MOWS1XXXXX-B	ITEM NO. FDM2503	 3K-KAMING REV 0 SHEET NO. 1/1
	X.±.012(0.30)	X.±5'	CHECKED BY CHERRY	DATE 23/JUL/13	TITLE Machined pin D-SUB connector 180° Vertical Male		
	X.X±.008(0.20)	.X'±2'	DRAWN BY JACOB	DATE 23/JUL/13	THIS DRAWING CONTAINS INFORMATION THAT IS PROPRIETARY TO DONG GUAN LANG LUN(3K-KAMING) ELECTRONIC PRODUCTS CO.,LTD. AND SHOULD NOT BE USED WITHOUT WRITTEN PERMISSON		

REV	LOCATIONS	DESCRIPTION	DATE	REVSER	APPD



Ordering Information

FDM 25 03 — M0 W S 1 XX XX X — C
 1 2 3 4 5 6 7 8 9 10 11

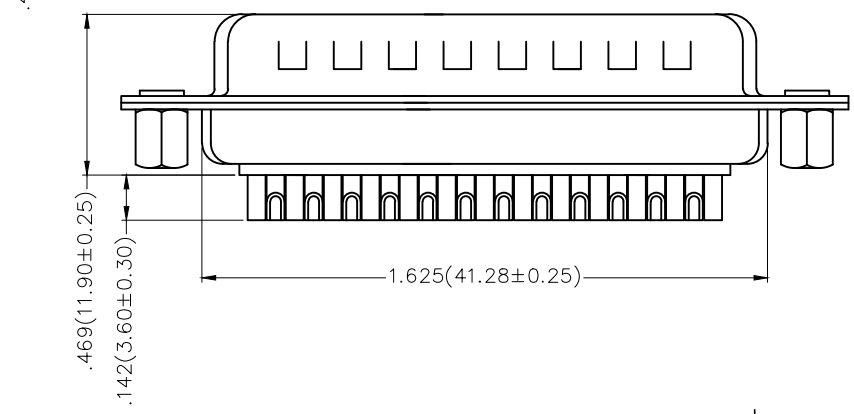
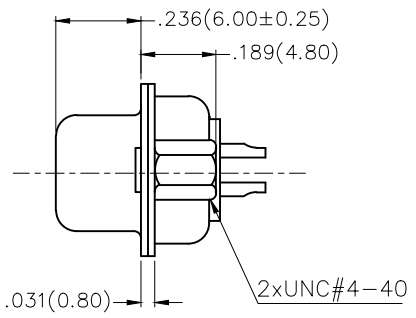
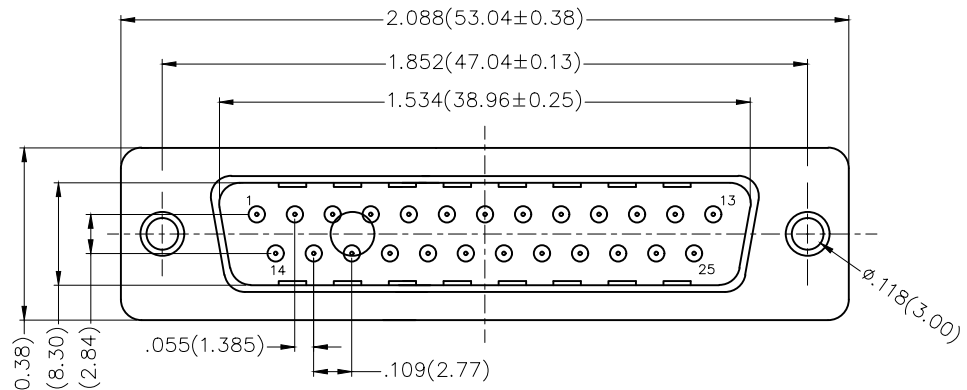
Materials And Finish
 Shell: Spcc Material, Front Nickel Plated 80μ" Min
 Back Shell: SPCC, Tin Plated 100μ" Min
 Insulator: Glass Filled Thermoplastic, UL 94V-0
 Contact Material: Brass /Gold Plated
Electrical Characteristic
 Current Rating: 7.5A
 Voltage Rating: 300V
 Contact Resistance: 5mΩ Max
 Dielectric Withstanding Voltage :1000V AC r.m.s
 Insulation Resistance: 5000 MΩ Min.
 Temperature Range—Operating: -55°C ~ +105°C

1	Category	2	Circuits	3	Distinction No.	4	Type	5	Assembly Layout	6	Entry Angle
	FDM—Machined pin D—SUB connector		25		03		M0—Male		W—Welding Type		S—180° Vertical
7	Plating	8	Thickness of Plating	9	Color—Resin	10	Packaging	11	Distinction Type		
	1—Gold Plated		01—1μ" 03—3μ" Custom plate available		W1—White K6—Black		K—Tray L—Tube		C—C Type		

 THIRD ANGLE PROJECTION	GENERAL TOLERANCES (UNLESS SPECIFIED)		APPROVE BY FRANK	DATE 23/JUL/13	PART NO. FDM2503—MOWS1XXXXX—C	ITEM NO. FDM2503	 3K-KAMING	
	DESIGN UNITS Inch (metric)	X.±.012(0.30) X.X±.008(0.20) X.XX±.006(0.15) X.XXX±.004(0.10)	X.±5' .X'±2' .XX'±1' .XXX'±0.5'	CHECKED BY CHERRY	DATE 23/JUL/13	TITLE Machined pin D—SUB connector 180° Vertical Male		
	SCALE 5:1	SIZE A4		DRAWN BY JACOB	DATE 23/JUL/13	THIS DRAWING CONTAINS INFORMATION THAT IS PROPRIETARY TO DONG GUAN LANG LUN(3K-KAMING) ELECTRONIC PRODUCTS CO., LTD. AND SHOULD NOT BE USED WITHOUT WRITTEN PERMISSION		

REV 0 SHEET NO. 1/1

REV	LOCATIONS	DESCRIPTION	DATE	REVISED	APPD



Ordering Information

FDM 25 03 — M0 W S 1 XX XX X — D
 1 2 3 4 5 6 7 8 9 10 11

1 Category FDM-Machined pin D-SUB connector	2 Circuits 25	3 Distinction No. 03	4 Type M0-Male	5 Assembly Layout W-Welding Type	6 Entry Angle S-180° Vertical
7 Plating 1-Gold Plated	8 Thickness of Plating 01-1μ" 03-3μ" Custom plate available	9 Color-Resin W1-White K6-Black	10 Packaging K-Tray L-Tube	11 Distinction Type D-D Type	

Materials And Finish
 Shell: Spcc Material, Front Nickel Plated 80μ" Min
 Back Shell: SPCC, Tin Plated 100μ" Min
 Insulator: Glass Filled Thermoplastic, UL 94V-0
 Contact Material: Brass /Gold Plated
Electrical Characteristic
 Current Rating: 7.5A
 Voltage Rating: 300V
 Contact Resistance: 5mΩ Max
 Dielectric Withstanding Voltage :1000V AC r.m.s
 Insulation Resistance: 5000 MΩ Min.
 Temperature Range-Operating: -55°C ~ +105°C

 THIRD ANGLE PROJECTION DESIGN UNITS Inch (metric) SCALE 5:1 SIZE A4	GENERAL TOLERANCES (UNLESS SPECIFIED)		APPROVE BY FRANK	DATE 23/JUL/13	PART NO. FDM2503-MOWS1XXXXX-D	ITEM NO. FDM2503	 3K-KAMING REV 0 SHEET NO. 1/1
	X.±.012(0.30)	X.±5'	CHECKED BY CHERRY	DATE 23/JUL/13	TITLE Machined pin D-SUB connector 180° Vertical Male		
	X.X±.008(0.20)	.X±2'	DRAWN BY JACOB	DATE 23/JUL/13	THIS DRAWING CONTAINS INFORMATION THAT IS PROPRIETARY TO DONG GUAN LANG LUN(3K-KAMING) ELECTRONIC PRODUCTS CO., LTD. AND SHOULD NOT BE USED WITHOUT WRITTEN PERMISSION		
	X.XX±.006(0.15)	.XX±1'					