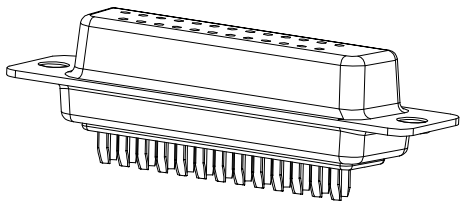
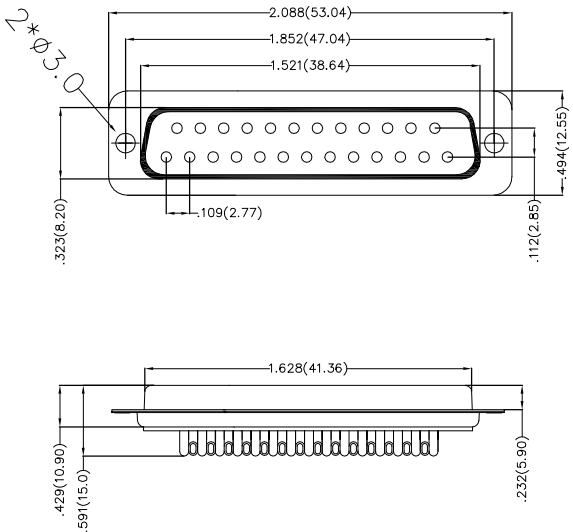


REV	LOCATIONS	DESCRIPTION	DATE	REVISER	APPD

A  
B  
C  
D  
E  
F

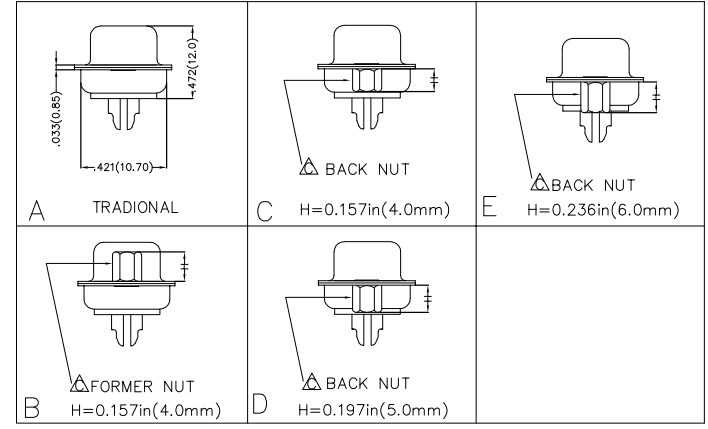


**SPECIFICATIONS**

**Electrical**  
 Current Rating: 3A AC(rms)/DC  
 Voltage Rating: 250V AC(rms)/DC  
 Contact Resistance: 25 MΩ Max  
 Insulation Resistance: 1000 MΩ MIN  
 Withstanding Voltage: 500V AC r.m.s  
 Operating Temperature: -55°C~+105°C

**Material**  
 Housing: PBT 30%G.F UL 94V-0  
 Contact: Phosphor Bronze Gold/Tin-Plated

Products Categories: A.B.C.D.E.



**Ordering Informaion**

FDB 25 05 — F0 W S \* \*\* \*\* K \* -01  
 1 2 3 4 5 6 7 8 9 10 11 12

1 Series Name	2 No. of pins	3 Distinction No.	4 Type	5 Assembly Layout	6 Entry Type
-FDB	-25	-05	Female-F0	Welding Type-W	Straight-S
7 Gold Plating	8 Thickness of Plating	9 Plastic Colour	10 Packaging	11 Products Categories	12 Type
Gold Plated All-1 Tin Plated All-2 Half Gold/Tin -3	Gold Plating-00 3u"-03..... Custom Plate Available	Black-K6 Blue-U1	PE Tray-K	A Type-A B Type-B C Type-C D Type-D E Type-E	01-Halogen free

 Third Angle Projection UNIT: in(mm) SCALE: 1:1	<b>TOLERANCE</b> (Expect as noted)		APPROVE	Frank	PART NO:		TITLE:	ITEM NO:	 3K-KAMI NG
	X±.012(0.30)	X'.±5'	CHECK	FAN	FDB2505-F0WS*****		D-SUB	DB2505	
	X.X±.008(0.20)	.X'±2'	DRAWN	Cherry	DATE	13/JUN/11	REQUIRED DOCUMENTS: D-SUB 25Pin Female Welding Series		REV: 0
	X.XX±.006(0.15)	.XX'±1'							
	X.XXX±.004(0.10)	.XXX'±0.5'							

F  
E  
D  
C  
B  
A

1 2 3 4 5 6 7 8