

1 2 3 4 5 6 7 8

REV	LOCATIONS	DESCRIPTION	DATE	REVISER	APPD

A

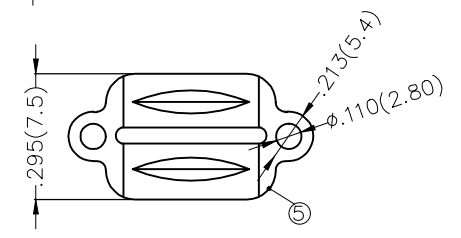
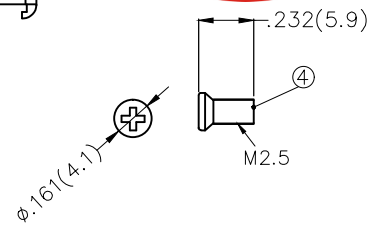
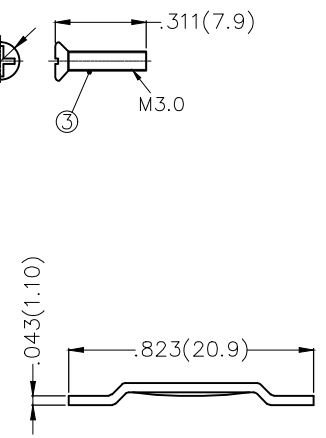
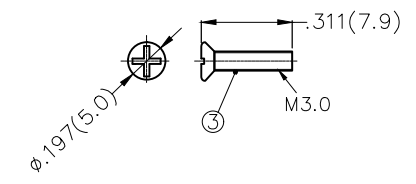
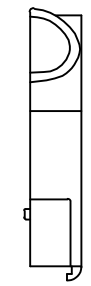
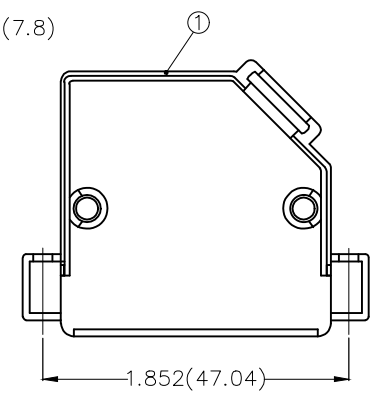
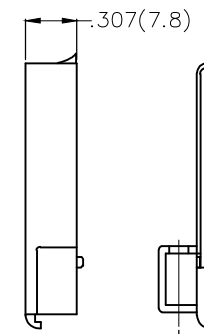
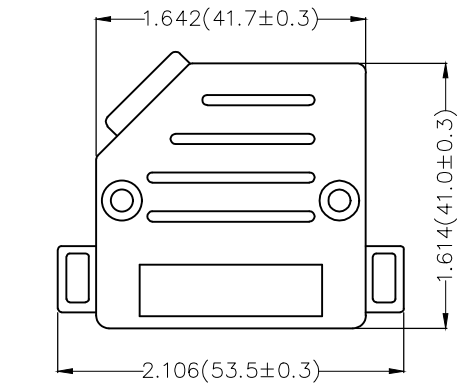
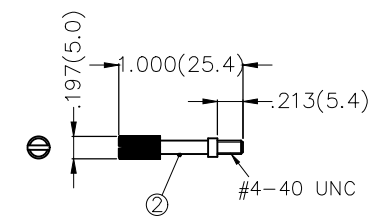
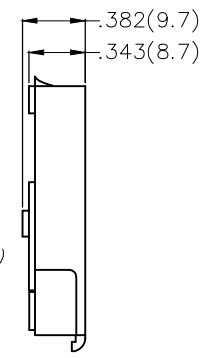
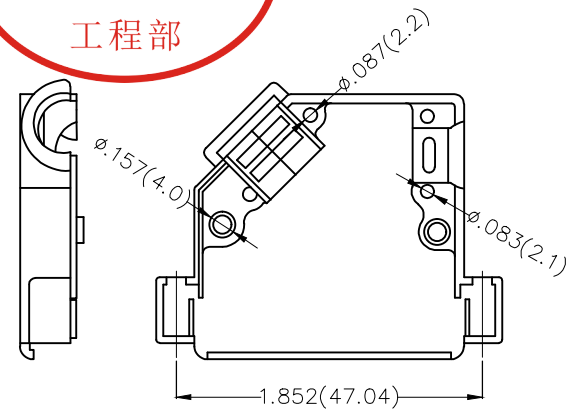
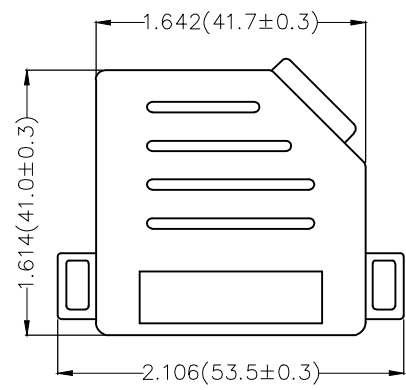
B

C

D

E

F



BOM LIST			
Item	Part name	Q'ty	Notes
①	Metal hood	2	Zinc alloy/ Ni plated
②	Long screw	2	#4-40 UNC, Steel/ Ni plated
③	Screw for hood	2	M3.0, Steel/ Ni plated
④	Screw for clamp	2	M2.5, Steel/ Ni plated
⑤	Cable clamp	1	Zinc alloy/ Ni plated

 THIRD ANGLE PROJECTION	GENERAL TOLERANCES (UNLESS SPECIFIED)		APPROVE BY	DATE	PART NO.	ITEM NO.	 3K-KAMING® REV 0 SHEET NO. 1/1
	X.±.012(0.30)	X'.±5'	FRANK	17/OCT/19	FDB2502-C200B	FDB2502-C	
	X.X±.008(0.20)	.X'±2'	CHECKED BY	DATE	TITLE		
DESIGN UNITS Inch (metric)	X.XX±.006(0.15)	.XX'±1'	CHERRY	17/OCT/19	D-SUB Connectors 25 Circuits Cover		
SCALE 5:1	X.XXX±.004(0.10)	.XXX'±0.5'	DRAWN BY	DATE	THIS DRAWING CONTAINS INFORMATION THAT IS PROPRIETARY TO DONG GUAN LANG LUN(3K-KAMING) ELECTRONIC PRODUCTS CO.,LTD. AND SHOULD NOT BE USED WITHOUT WRITTEN PERMISSION		
SIZE A4			KATE	17/OCT/19			

1 2 3 4 5 6 7 8