

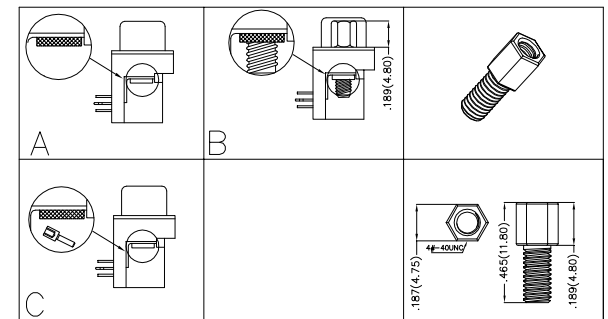
REV	LOCATIONS	DESCRIPTION	DATE	REVISER	APPD

SPECIFICATIONS

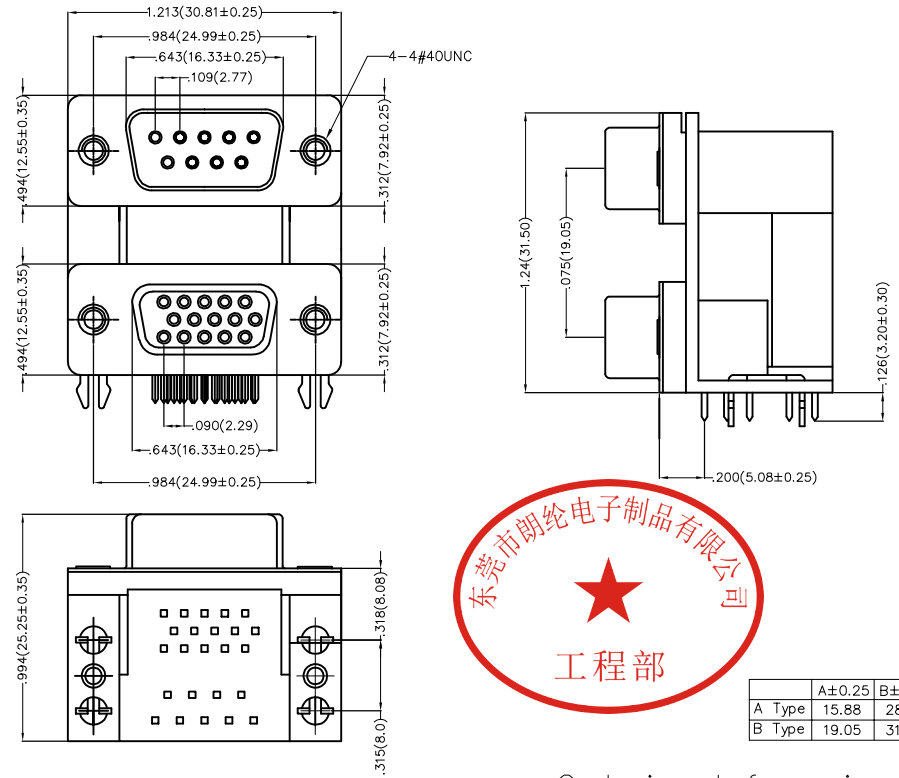
Electrical
 Current Rating: 3A AC(rms)/DC
 Voltage Rating: 250V AC(rms)/DC
 Contact Resistance: 30 M Ω MaxED
 Insulation Resistance: 1000 M Ω MIN
 Withstanding Voltage: 500V AC r.m.s
 Operating Temperature: -55°C~+105°C

Material
 Housing: PBT 30%G.F UL 94V-0
 Contact: Phosphor Bronze Gold/Tin-Plated
 Shell: SPCC/Ni-plated

Products Categories: A.B.C



	A±0.25	B±0.35
A Type	15.88	28.35
B Type	19.05	31.50

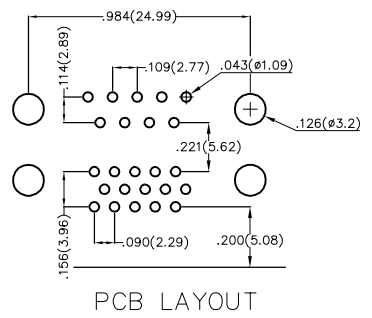


Ordering Informaion

FDB 24 03 - FF D B * ** ** K *

1 2 3 4 5 6 7 8 9 10 11

1 Series Name	2 No. of pins	3 Distinction No.	4 Type	5 Assembly Layout	6 Entry Type
-FDB	9PM+15PF-24	-03	Female+Female-FF	DIP-D	Bend-B
7 Gold Plating	8 Thickness of Plating	9 Plastic Colour	10 Packaging	11 Products Categories	
Gold Plated All-1 Tin Plated All-2 Half Gold/Tin -3	Gold Plating-00 3u"-03..... Custom Plate Available	Black-K6 Blue-U1	PE Tray-K	A Type-A B Type-B C Type-C	



Third Angle Projection	TOLERANCE (Expect as noted)		APPROVE	Frank	PART NO:		TITLE:	ITEM NO:	
	UNIT: in(mm)	X±.012(0.30) X.X±.008(0.20)	X'.±5' .X'±2'	CHECK	FAN	FDB2403-MFDB****K*-*		D-SUB DB2403	
SCALE: 1:1	X.XX±.006(0.15) X.XXX±.004(0.10)	.XX'±1' .XXX'±0.5'	DRAWN	Robin	DATE	11/Oct/12	D-SUB 9Pin Female+ 15Pin Female Series		REV: 0