

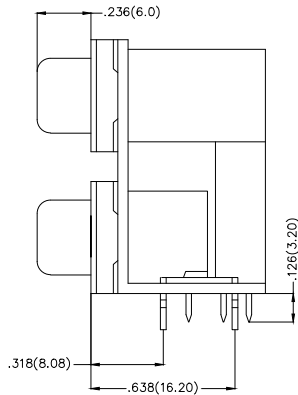
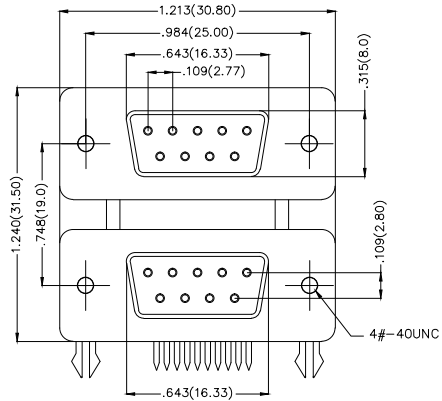
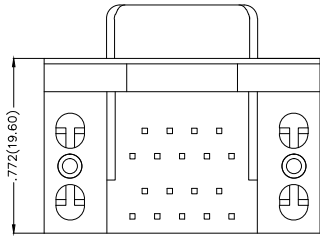
REV	LOCATIONS	DESCRIPTION	DATE	REVISER	APPD



SPECIFICATIONS

Electrical
 Current Rating: 3A AC(rms)/DC
 Voltage Rating: 250V AC(rms)/DC
 Contact Resistance: 25 mΩ Max
 Insulation Resistance: 1000 MΩ Min
 Withstanding Voltage: 500V AC r.m.s
 Temperature Range-Operating: -55°C~+105°C

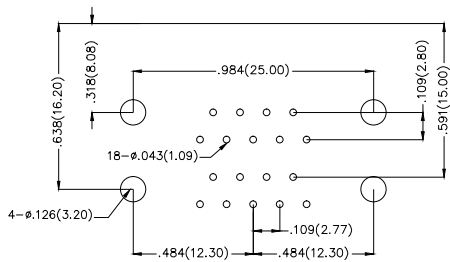
Material and Plating
 Housing: PBT (UL 94V-0)
 Contact: Copper Alloy/ Selective gold in contact area, tin on tail
 Shell: Spcc/ Nickel Plated
 Board Lock: Copper Alloy/ Tin Plated



Ordering Information

FDB 18 03 — FF D B X XX XX K A
 1 2 3 4 5 6 7 8 9 10 11

1 Category FDB-D-SUB Connector	2 Circuits 18-18Circuits	3 Distinction No. 03	4 Type FF-Female+Female	5 Assembly Layout D-DIP	6 Entry Angle B-90° Angle
7 Plating 1-Gold plated 3-Selective gold in contact area, tin on tail	8 Thickness of Plating 00-Gold Flash 03-3μ" Custom plate available	9 Color-Resin K6-Black U1-Blue	10 Packaging K-Tray	11 Distinction Type A-Type A	



Recommended P.C.Board Layout

 THIRD ANGLE PROJECTION	GENERAL TOLERANCES (UNLESS SPECIFIED) X.±.012(0.30) X.±5' X.X±.008(0.20) X.±2' X.XX±.006(0.15) .XX±1' X.XXX±.004(0.10) .XXX±0.5'		APPROVE BY FRANK CHECKED BY JACOB DRAWN BY CHERRY	DATE 28/JUN/13 DATE 28/JUN/13 DATE 28/JUN/13	PART NO. FDB1803-FFDBXXXXXKA ITEM NO. FDB1803	 3K-KAMING REV 0 SHEET NO. 1/1
	DESIGN UNITS Inch (metric)	SCALE 5:1	SIZE A4	TITLE D-SUB Connector 18Circuits 90° Angle Female+Female	THIS DRAWING CONTAINS INFORMATION THAT IS PROPRIETARY TO DONG GUAN LANG LUN(3K-KAMING) ELECTRONIC PRODUCTS CO.,LTD. AND SHOULD NOT BE USED WITHOUT WRITTEN PERMISSION	

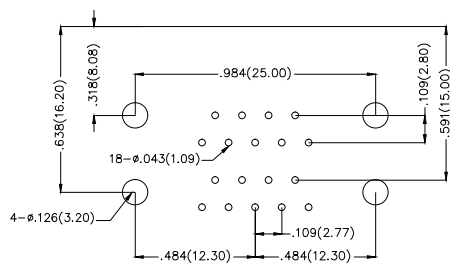
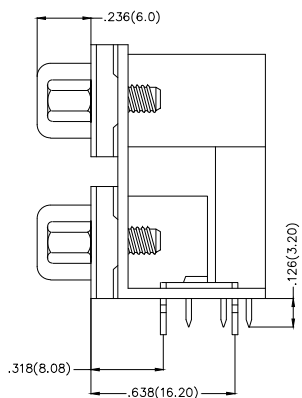
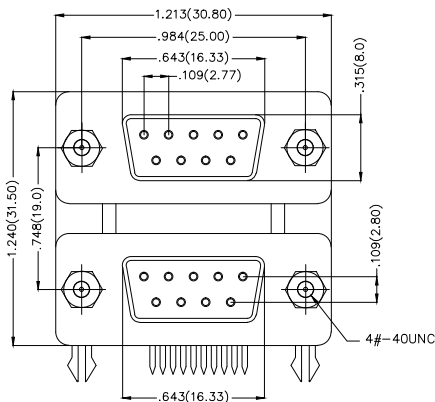
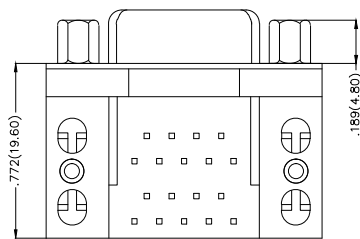
REV	LOCATIONS	DESCRIPTION	DATE	REVISER	APPD



SPECIFICATIONS

Electrical
 Current Rating: 3A AC(rms)/DC
 Voltage Rating: 250V AC(rms)/DC
 Contact Resistance: 25 mΩ Max
 Insulation Resistance: 1000 MΩ Min
 Withstanding Voltage: 500V AC r.m.s.
 Temperature Range-Operating: -55°C~+105°C

Material and Plating
 Housing: PBT (UL 94V-0)
 Contact: Copper Alloy/ Selective gold in contact area, tin on tail
 Shell: Spcc/ Nickel Plated
 Board Lock: Copper Alloy/ Tin Plated
 Screw: Copper Alloy/ Nickel Plated



Recommended P.C.Board Layout

Ordering Information

FDB 18 03 - FF D B X XX XX K B
 1 2 3 4 5 6 7 8 9 10 11

1 Category FDB-D-SUB Connector	2 Circuits 18-18Circuits	3 Distinction No. 03	4 Type FF-Female+Female	5 Assembly Layout D-DIP	6 Entry Angle B-90° Angle
7 Plating 1-Gold plated 3-Selective gold in contact area, tin on tail	8 Thickness of Plating 00-Gold Flash 03-3μ" Custom plate available	9 Color-Resin K6-Black U1-Blue	10 Packaging K-Tray	11 Distinction Type B-Type B	

 THIRD ANGLE PROJECTION	GENERAL TOLERANCES (UNLESS SPECIFIED) X.±.012(0.30) X'.±5' X.X±.008(0.20) X'.±2' X.XX±.006(0.15) .XX'±1' X.XXX±.004(0.10) .XXX'±0.5'		APPROVE BY FRANK	DATE 28/JUN/13	PART NO. FDB1803-FFDBXXXXXB	ITEM NO. FDB1803	 3K-KAMING	
	DESIGN UNITS Inch (metric)	SCALE 5:1	SIZE A4	CHECKED BY JACOB	DATE 28/JUN/13	TITLE D-SUB Connector 18Circuits 90° Angle Female+Female		REV 0
THIS DRAWING CONTAINS INFORMATION THAT IS PROPRIETARY TO DONG GUAN LANG LUN(3K-KAMING) ELECTRONIC PRODUCTS CO.,LTD. AND SHOULD NOT BE USED WITHOUT WRITTEN PERMISSION								

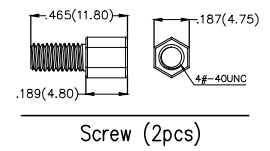
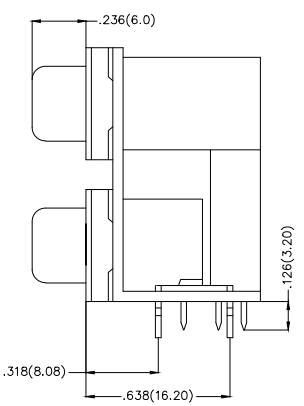
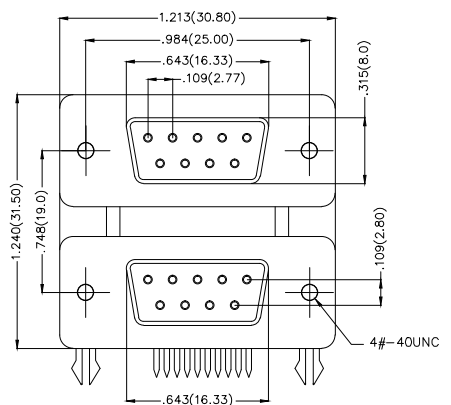
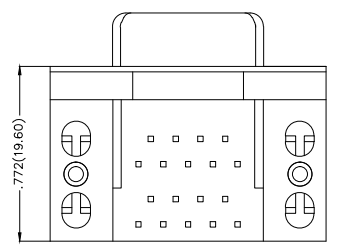
REV	LOCATIONS	DESCRIPTION	DATE	REVISER	APPD



SPECIFICATIONS

Electrical
 Current Rating: 3A AC(rms)/DC
 Voltage Rating: 250V AC(rms)/DC
 Contact Resistance: 25 mΩ Max
 Insulation Resistance: 1000 MΩ Min
 Withstanding Voltage: 500V AC r.m.s.
 Temperature Range-Operating: -55°C~+105°C

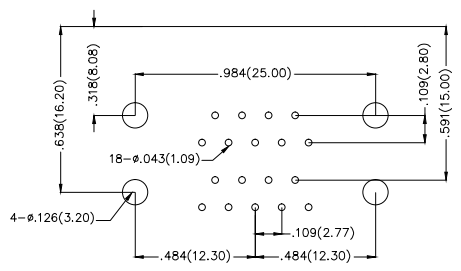
Material and Plating
 Housing: PBT (UL 94V-0)
 Contact: Copper Alloy/ Selective gold in contact area, tin on tail
 Shell: Spcc/ Nickel Plated
 Board Lock: Copper Alloy/ Tin Plated
 Screw: Copper Alloy/ Nickel Plated



Ordering Information

FDB 18 03 - FF D B X XX XX K C
 1 2 3 4 5 6 7 8 9 10 11

1 Category FDB-D-SUB Connector	2 Circuits 18-18Circuits	3 Distinction No. 03	4 Type FF-Female+Female	5 Assembly Layout D-DIP	6 Entry Angle B-90° Angle
7 Plating 1-Gold plated 3-Selective gold in contact area, tin on tail	8 Thickness of Plating 00-Gold Flash 03-3μ" Custom plate available	9 Color-Resin K6-Black U1-Blue	10 Packaging K-Tray	11 Distinction Type C-Type C	



Recommended P.C.Board Layout

 THIRD ANGLE PROJECTION	GENERAL TOLERANCES (UNLESS SPECIFIED) X.±.012(0.30) X.±5' X.X±.008(0.20) X.±2' X.XX±.006(0.15) .XX±1' X.XXX±.004(0.10) .XXX±0.5'		APPROVE BY FRANK	DATE 28/JUN/13	PART NO. FDB1803-FFDBXXXXXC	ITEM NO. FDB1803	 3K-KAMING® REV 0 SHEET NO. 1/1
	DESIGN UNITS Inch (metric)	SCALE 5:1	SIZE A4	CHECKED BY JACOB	DATE 28/JUN/13	TITLE D-SUB Connector 18Circuits 90° Angle Female+Female	
THIS DRAWING CONTAINS INFORMATION THAT IS PROPRIETARY TO DONG GUAN LANG LUN(3K-KAMING) ELECTRONIC PRODUCTS CO., LTD. AND SHOULD NOT BE USED WITHOUT WRITTEN PERMISSION							

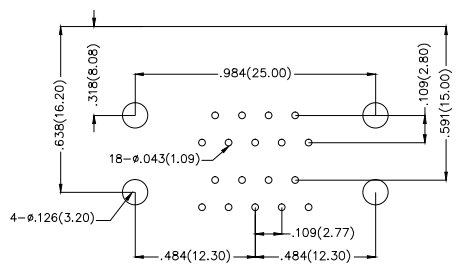
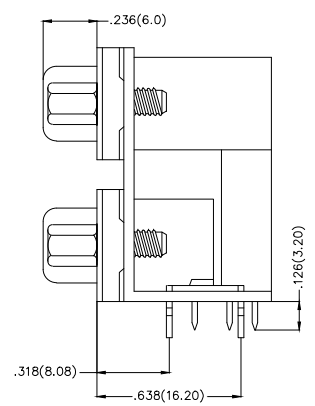
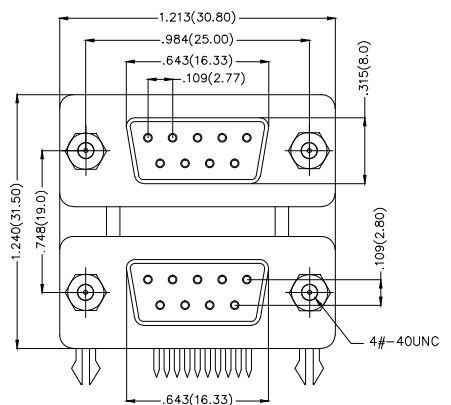
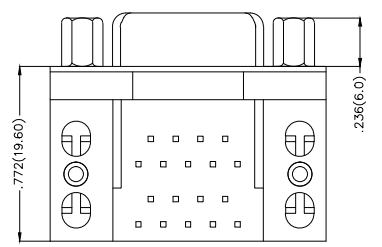
REV	LOCATIONS	DESCRIPTION	DATE	REVISER	APPD



SPECIFICATIONS

Electrical
 Current Rating: 3A AC(rms)/DC
 Voltage Rating: 250V AC(rms)/DC
 Contact Resistance: 25 mΩ Max
 Insulation Resistance: 1000 MΩ Min
 Withstanding Voltage: 500V AC r.m.s.
 Temperature Range-Operating: -55°C~+105°C

Material and Plating
 Housing: PBT (UL 94V-0)
 Contact: Copper Alloy/ Selective gold in contact area, tin on tail
 Shell: Spcc/ Nickel Plated
 Board Lock: Copper Alloy/ Tin Plated
 Screw: Copper Alloy/ Nickel Plated



Recommended P.C.Board Layout

Ordering Information

FDB 18 03 - FF D B X XX XX K D
 1 2 3 4 5 6 7 8 9 10 11

1 Category FDB-D-SUB Connector	2 Circuits 18-18Circuits	3 Distinction No. 03	4 Type FF-Female+Female	5 Assembly Layout D-DIP	6 Entry Angle B-90° Angle
7 Plating 1-Gold plated 3-Selective gold in contact area, tin on tail	8 Thickness of Plating 00-Gold Flash 03-3μ" Custom plate available	9 Color-Resin K6-Black U1-Blue	10 Packaging K-Tray	11 Distinction Type D-Type D	

 THIRD ANGLE PROJECTION	GENERAL TOLERANCES (UNLESS SPECIFIED)		APPROVE BY FRANK	DATE 28/JUN/13	PART NO. FDB1803-FFDBXXXXKD	ITEM NO. FDB1803	 3K-KAMING	
	DESIGN UNITS Inch (metric)	X.X±.012(0.30) X.X±.008(0.20)	X'±5" .X'±2"	CHECKED BY JACOB	DATE 28/JUN/13	TITLE D-SUB Connector 18Circuits 90° Angle Female+Female		REV 0
SCALE 5:1	SIZE A4	X.XX±.006(0.15) X.XXX±.004(0.10)	.XX'±1" .XXX'±0.5'	DRAWN BY CHERRY	DATE 28/JUN/13	THIS DRAWING CONTAINS INFORMATION THAT IS PROPRIETARY TO DONG GUAN LANG JUN(3K-KAMING) ELECTRONIC PRODUCTS CO.,LTD. AND SHOULD NOT BE USED WITHOUT WRITTEN PERMISSION		