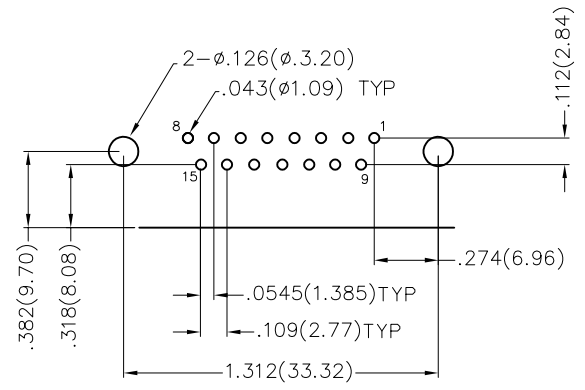
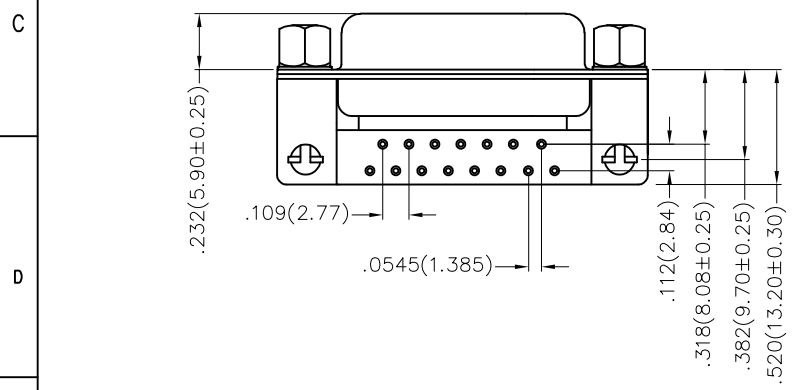
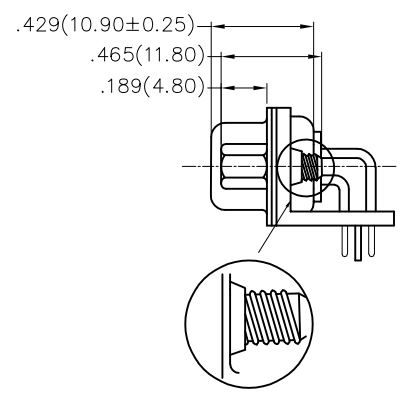
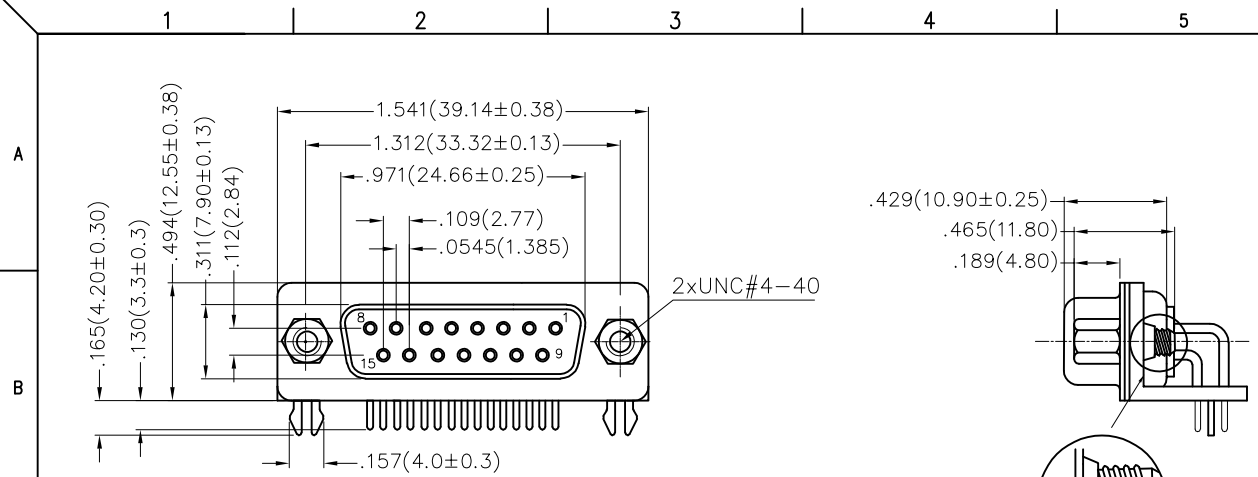


| REV | LOCATIONS | DESCRIPTION | DATE | REVISER | APPD |
|-----|-----------|-------------|------|---------|------|
| | | | | | |



Recommended P.C.Board Layout



Ordering Information

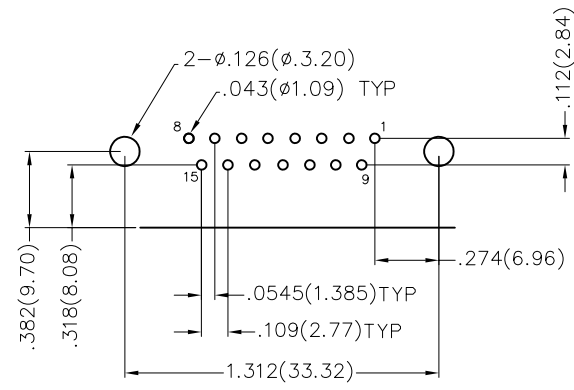
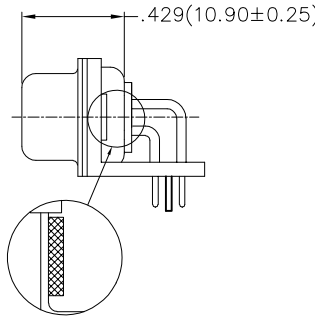
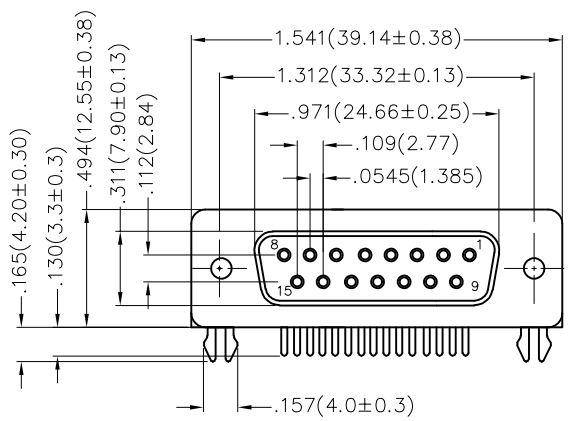
FDM 15 24 — F0 D B 1 XX XX X
 1 2 3 4 5 6 7 8 9 10

| | | | | | |
|--|--|---|------------------------------------|------------------------------|--------------------------------|
| 1 Category FDM—Machined pin D—SUB connector | 2 Circuits 15 | 3 Distinction No. 24 | 4 Type FO—Female | 5 Assembly Layout D—DIP | 6 Entry Angle B—90° Angle |
| 7 Plating 1—Gold Plated | 8 Thickness of Plating 01—1μ" 03—3μ" Custom plate available | 9 Color—Resin W1—White K6—Black | 10 Packaging K—Tray L—Tube | | |

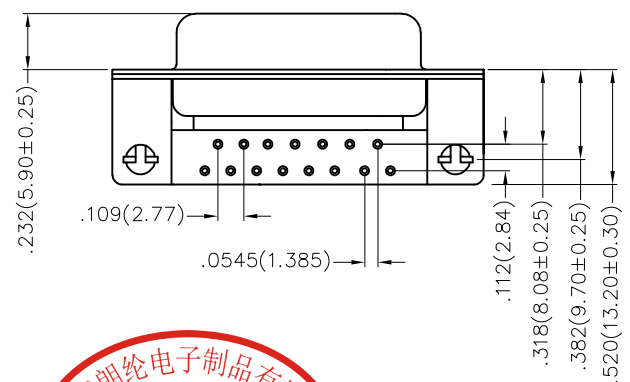
Materials And Finish
 Shell: Spcc Material, Front Nickel Plated 80μ" Min
 Back Shell Tin Plated 100μ" Min
 Insulator: Glass Filled Thermoplastic, UL 94V—0
 Contact Material: Brass /Gold Plated
 Electrical Characteristic
 Current Rating: 7.5A
 Voltage Rating: 300V
 Contact Resistance: 5mΩ Max
 Dielectric Withstanding Voltage :1000V AC r.m.s
 Insulation Resistance: 5000 MΩ Min.
 Temperature Range—Operating: —55°C ~ +105°C

| | | | | | | | |
|-------------------------------|---------------------------------------|------------------|---------------------|-------------------|--|------------------------|--|
| THIRD ANGLE PROJECTION | GENERAL TOLERANCES (UNLESS SPECIFIED) | | APPROVE BY FRANK | DATE 28/JUN/13 | PART NO. FDM1524—FODB1XXXXX | ITEM NO. FDM1524—FO | |
| | X.±.012(0.30) | X.±5' | CHECKED BY JACOB | DATE 28/JUN/13 | TITLE Machined pin D—SUB connector 90° Angle Female | REV 0 | |
| DESIGN UNITS Inch (metric) | X.XX±.008(0.20) | .X'±2' | DRAWN BY CHERRY | DATE 28/JUN/13 | THIS DRAWING CONTAINS INFORMATION THAT IS PROPRIETARY TO DONG GUAN LANG LUN(3K-KAMING) ELECTRONIC PRODUCTS CO., LTD. AND SHOULD NOT BE USED WITHOUT WRITTEN PERMISSION | | |
| SCALE 5:1 | SIZE A4 | X.XXX±.004(0.10) | .XXX'±0.5' | | | | |

| REV | LOCATIONS | DESCRIPTION | DATE | REVISER | APPD |
|-----|-----------|-------------|------|---------|------|
| | | | | | |



Recommended P.C.Board Layout



Ordering Information

FDM 15 24 - F0 D B 1 XX XX X B
 1 2 3 4 5 6 7 8 9 10 11

| | | | | | |
|--|--|---|------------------------------------|-----------------------------------|--------------------------------|
| 1 Category FDM-Machined pin D-SUB connector | 2 Circuits 15 | 3 Distinction No. 24 | 4 Type FO-Female | 5 Assembly Layout D-DIP | 6 Entry Angle B-90° Angle |
| 7 Plating 1-Gold Plated | 8 Thickness of Plating 01-1μ" 03-3μ" Custom plate available | 9 Color-Resin W1-White K6-Black | 10 Packaging K-Tray L-Tube | 11 Distinction Type B-B Type | |

Materials And Finish
 Shell: Spcc Material, Front Nickel Plated 80μ" Min
 Back Shell Tin Plated 100μ" Min
 Insulator: Glass Filled Thermoplastic, UL 94V-0
 Contact Material: Brass /Gold Plated
Electrical Characteristic
 Current Rating: 7.5A
 Voltage Rating: 300V
 Contact Resistance: 5mΩ Max
 Dielectric Withstanding Voltage :1000V AC r.m.s
 Insulation Resistance: 5000 MΩ Min.
 Temperature Range-Operating: -55°C ~ +105°C

| | | | | | | | |
|-------------------------------|---------------------------------------|------------------|---------------------|-------------------|--|------------------------|--|
| THIRD ANGLE PROJECTION | GENERAL TOLERANCES (UNLESS SPECIFIED) | | APPROVE BY FRANK | DATE 28/JUN/13 | PART NO. FDM1524-F0DB1XXXXXB | ITEM NO. FDM1524-F0 | |
| | X.±.012(0.30) | X.±5' | CHECKED BY JACOB | DATE 28/JUN/13 | TITLE Machined pin D-SUB connector 90° Angle Female | | |
| DESIGN UNITS Inch (metric) | X.X±.008(0.20) | .X'±2' | DRAWN BY CHERRY | DATE 28/JUN/13 | THIS DRAWING CONTAINS INFORMATION THAT IS PROPRIETARY TO DONG GUAN LANG LUN(3K-KAMING) ELECTRONIC PRODUCTS CO., LTD. AND SHOULD NOT BE USED WITHOUT WRITTEN PERMISSION | | |
| SCALE 5:1 | SIZE A4 | X.XXX±.004(0.10) | .XXX±0.5' | | | | |

| REV | LOCATIONS | DESCRIPTION | DATE | REVISER | APPD |
|-----|-----------|-------------|------|---------|------|
| | | | | | |

A

B

C

D

E

F

A

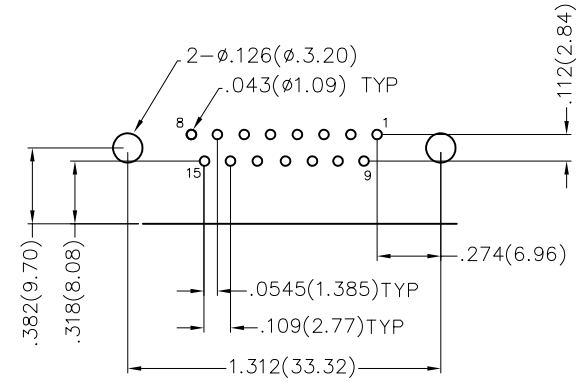
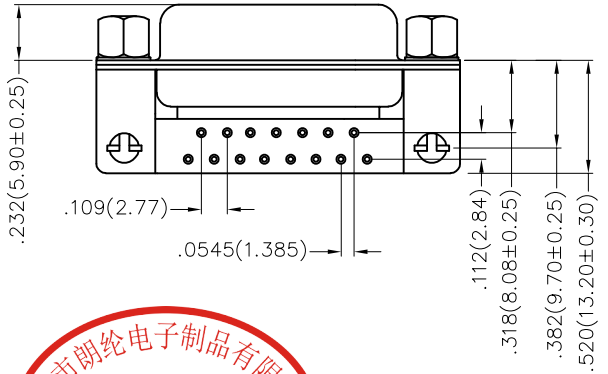
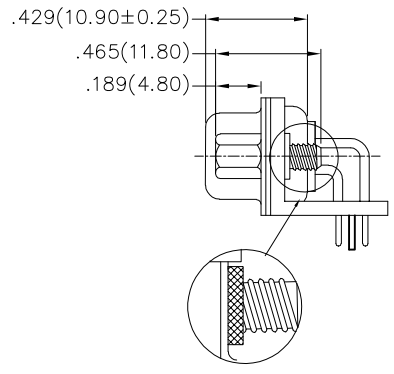
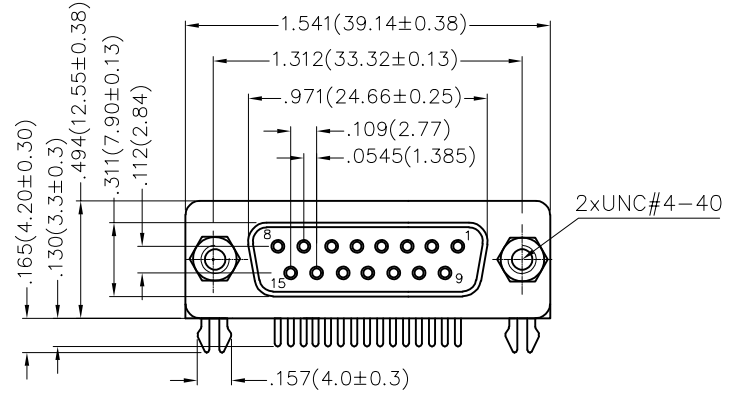
B

C

D

E

F



Recommended P.C.Board Layout



Ordering Information

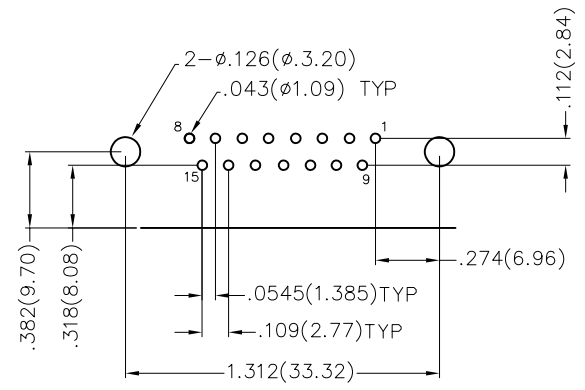
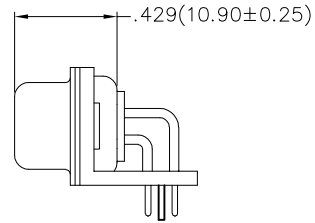
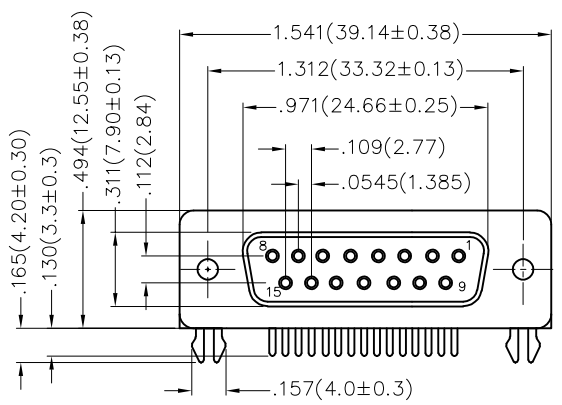
| | | | | | | | | | | | |
|-----|----|----|---|----|---|---|---|----|----|----|---|
| FDM | 15 | 24 | - | FO | D | B | 1 | XX | XX | X | C |
| 1 | 2 | 3 | 4 | 5 | 6 | 7 | 8 | 9 | 10 | 11 | |

| | | | | | |
|--|--|---|------------------------------------|-----------------------------------|--------------------------------|
| 1 Category FDM-Machined pin D-SUB connector | 2 Circuits 15 | 3 Distinction No. 24 | 4 Type FO-Female | 5 Assembly Layout D-DIP | 6 Entry Angle B-90° Angle |
| 7 Plating 1-Gold Plated | 8 Thickness of Plating 01-1μ" 03-3μ" Custom plate available | 9 Color-Resin W1-White K6-Black | 10 Packaging K-Tray L-Tube | 11 Distinction Type C-C Type | |

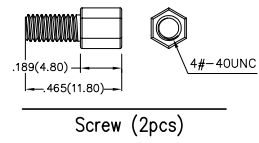
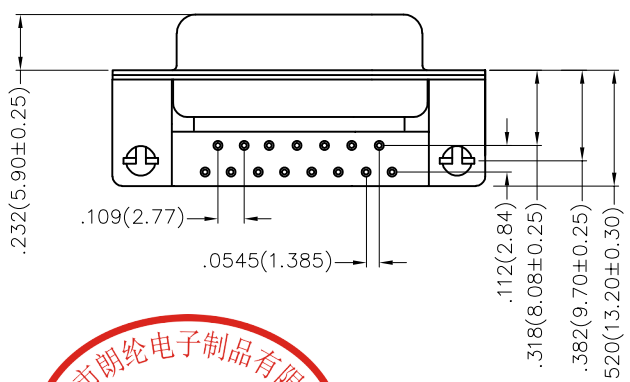
Materials And Finish
 Shell: Spcc Material, Front Nickel Plated 80μ" Min
 Back Shell Tin Plated 100μ" Min
 Insulator: Glass Filled Thermoplastic, UL 94V-0
 Contact Material: Brass /Gold Plated
Electrical Characteristic
 Current Rating: 7.5A
 Voltage Rating: 300V
 Contact Resistance: 5mΩ Max
 Dielectric Withstanding Voltage :1000V AC r.m.s
 Insulation Resistance: 5000 MΩ Min.
 Temperature Range-Operating: -55°C ~ +105°C

| | | | | | | | | |
|-------------------------------|---------------------------------------|------------------|---------------------|-------------------|---|------------------------|-------|---------------|
| THIRD ANGLE PROJECTION | GENERAL TOLERANCES (UNLESS SPECIFIED) | | APPROVE BY FRANK | DATE 28/JUN/13 | PART NO. FDM1524-FODB1XXXXXC | ITEM NO. FDM1524-FO | | |
| | X.X±.012(0.30) | X:±5' | CHECKED BY JACOB | DATE 28/JUN/13 | TITLE Machined pin D-SUB connector 90° Angle Female | | | |
| DESIGN UNITS Inch (metric) | X.XX±.008(0.20) | .X'±2' | DRAWN BY CHERRY | DATE 28/JUN/13 | THIS DRAWING CONTAINS INFORMATION THAT IS PROPRIETARY TO DONG GUAN LANG LUN(3K-KAMI NG) ELECTRONIC PRODUCTS CO., LTD. AND SHOULD NOT BE USED WITHOUT WRITTEN PERMISSION | | REV 0 | SHEET NO. 1/1 |
| SCALE 5:1 | SIZE A< | X.XXX±.004(0.10) | | | | | | |

| REV | LOCATIONS | DESCRIPTION | DATE | REVISER | APPD |
|-----|-----------|-------------|------|---------|------|
| | | | | | |



Recommended P.C.Board Layout



Ordering Information

FDM 15 24 - F0 D B 1 XX XX X D
 1 2 3 4 5 6 7 8 9 10 11

| | | | | | | | | | | | |
|---|--|---|--|---|-------------------------------------|----|-------------------------------|----|------------------------------|---|----------------------------|
| 1 | Category FDM-Machined pin D-SUB connector | 2 | Circuits 15 | 3 | Distinction No. 24 | 4 | Type F0-Female | 5 | Assembly Layout D-DIP | 6 | Entry Angle B-90° Angle |
| 7 | Plating 1-Gold Plated | 8 | Thickness of Plating 01-1μ" 03-3μ" Custom plate available | 9 | Color-Resin W1-White K6-Black | 10 | Packaging K-Tray L-Tube | 11 | Distinction Type D-D Type | | |

Materials And Finish
 Shell: Spcc Material, Front Nickel Plated 80μ" Min
 Back Shell Tin Plated 100μ" Min
 Insulator: Glass Filled Thermoplastic, UL 94V-0
 Contact Material: Brass /Gold Plated
 Electrical Characteristic
 Current Rating: 7.5A
 Voltage Rating: 300V
 Contact Resistance: 5mΩ Max
 Dielectric Withstanding Voltage : 1000V AC r.m.s
 Insulation Resistance: 5000 MΩ Min.
 Temperature Range-Operating: -55°C ~ +105°C

| | | | | | | | |
|-------------------------------|---------------------------------------|------------------|---------------------|-------------------|--|------------------------|---------------|
| THIRD ANGLE PROJECTION | GENERAL TOLERANCES (UNLESS SPECIFIED) | | APPROVE BY FRANK | DATE 28/JUN/13 | PART NO. FDM1524-F0DB1XXXXXD | ITEM NO. FDM1524-F0 | |
| | X.±.012(0.30) | X.±5' | CHECKED BY JACOB | DATE 28/JUN/13 | TITLE Machined pin D-SUB connector 90° Angle Female | | |
| DESIGN UNITS Inch (metric) | X.X±.008(0.20) | .X'±2' | DRAWN BY CHERRY | DATE 28/JUN/13 | THIS DRAWING CONTAINS INFORMATION THAT IS PROPRIETARY TO DONG GUAN LANG LUN(3K-KAMING) ELECTRONIC PRODUCTS CO., LTD. AND SHOULD NOT BE USED WITHOUT WRITTEN PERMISSION | | SHEET NO. 1/1 |
| SCALE 5:1 | SIZE A/L | X.XX±.006(0.15) | | | | | |
| | | X.XXX±.004(0.10) | | | | | |