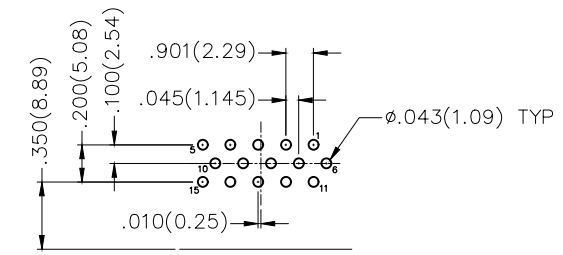
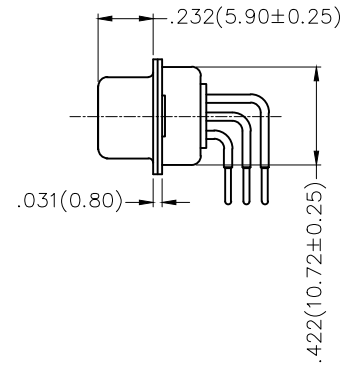
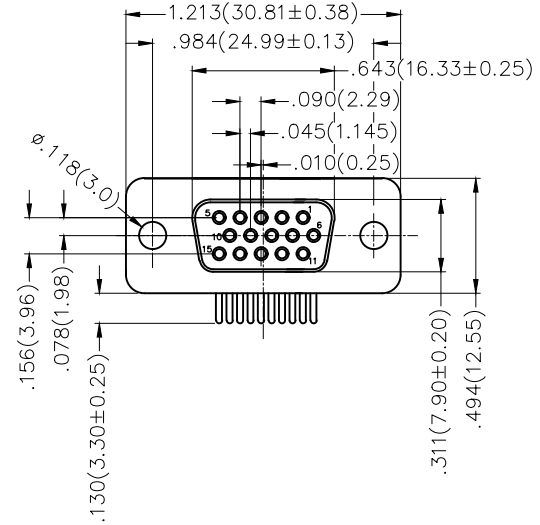
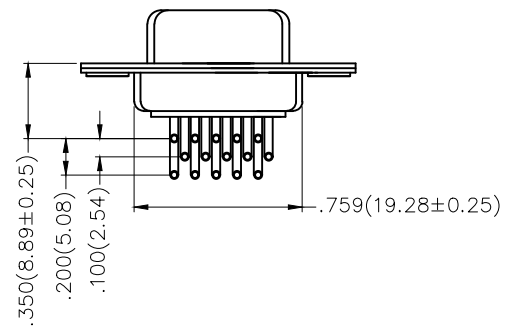


REV	LOCATIONS	DESCRIPTION	DATE	REVSER	APPD



Recommended P.C.Board Layout



Ordering Information

FDM 15 14 — FO D B 1 XX XX X
 1 2 3 4 5 6 7 8 9 10

1	Category	2	Circuits	3	Distinction No.	4	Type	5	Assembly Layout	6	Entry Angle
	FDM-Machined pin D-SUB connector		15		14		FO-Female		D-DIP		B-90° Angle
7	Plating	8	Thickness of Plating	9	Color-Resin	10	Packaging				
	1-Gold Plated		01-1μ" 03-3μ" Custom plate available		W1-White K6-Black		K-Tray L-Tube				

Materials And Finish

Shell: Spcc Material, Front Nickel Plated 80μ" Min
 Back Shell: SPCC, Tin Plated 100μ" Min
 Insulator: Glass Filled Thermoplastic, UL 94V-0
 Contact Material: Brass /Gold Plated
 Electrical Characteristic
 Current Rating: 5.0A
 Voltage Rating: 300V
 Contact Resistance: 30mΩ Max
 Dielectric Withstanding Voltage :1000V AC r.m.s
 Insulation Resistance: 5000 MΩ Min.
 Temperature Range-Operating: -55°C ~ +105°C

THIRD ANGLE PROJECTION	GENERAL TOLERANCES (UNLESS SPECIFIED)		APPROVE BY	DATE	PART NO.	ITEM NO.	
	X.±.012(0.30)	X.±5'	FRANK	23/JUL/13	FDM1514-F0DB1XXXXX	FDM1514	
	X.X±.008(0.20)	.X'±2'	CHECKED BY	DATE	TITLE		
DESIGN UNITS	X.XX±.006(0.15)	.XX'±1'	CHEERY	23/JUL/13	Machined pin D-SUB connector		REV 0 SHEET NO. 1/1
Inch (metric)	X.XXX±.004(0.10)	.XXX'±0.5'	DRAWN BY	DATE	90° Angle Female		
SCALE	5:1	SIZE	JACOB	23/JUL/13	THIS DRAWING CONTAINS INFORMATION THAT IS PROPRIETARY TO DONG GUAN LANG LUN(3K-KAMING) ELECTRONIC PRODUCTS CO.,LTD. AND SHOULD NOT BE USED WITHOUT WRITTEN PERMISSON		