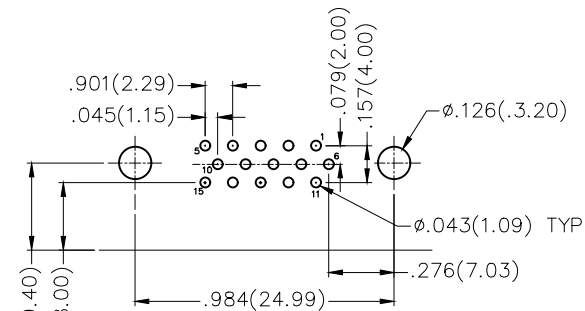
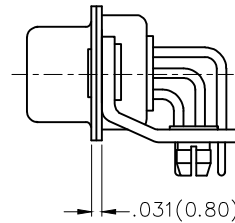
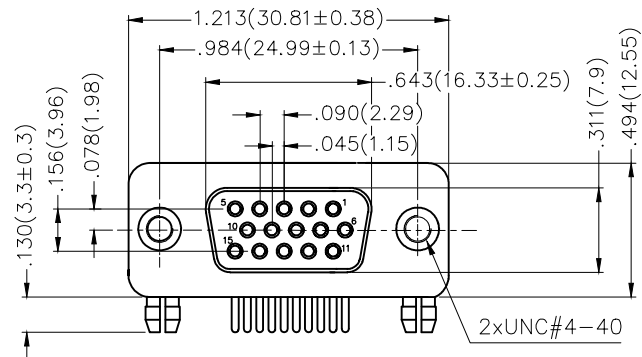
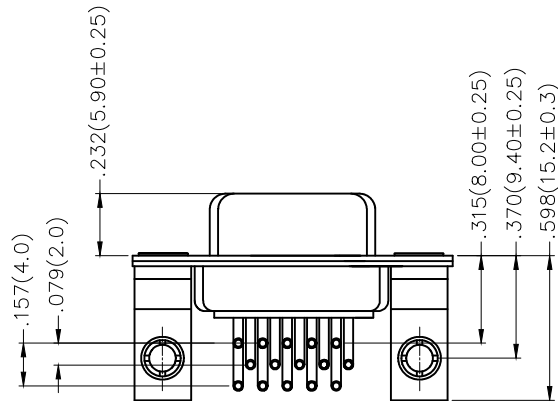


REV	LOCATIONS	DESCRIPTION	DATE	REVISER	APPD



Recommended P.C.Board Layout



Ordering Information

FDM 15 12 — FO D B 1 XX XX X B
 1 2 3 4 5 6 7 8 9 10 11

SPECIFICATION

Material and Plating

Insulator: PBT +30% G.F (UL94V-0)
 Contact: Brass/ Gold plated
 Shell: SPCC/ Front Nickel plated, Back Tin plated

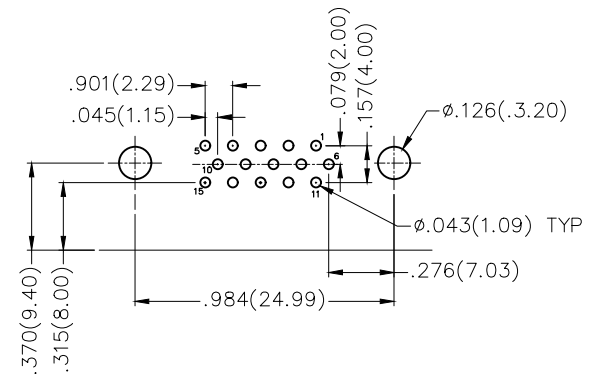
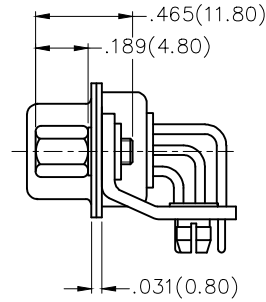
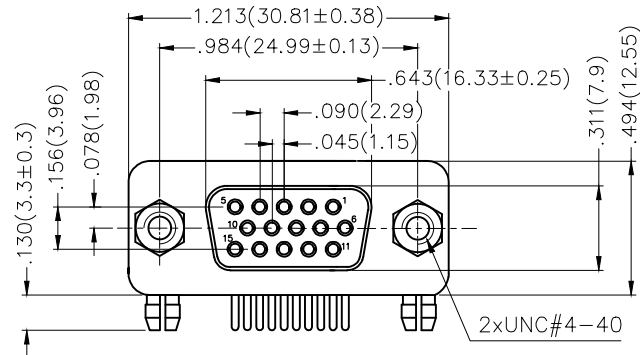
Electrical

Current Rating: 5A
 Voltage Rating: 300V
 Contact resistance: 30mΩ Max
 Insulation resistance: 5000MΩ Min. at 500V DC
 Dielectric Withstanding Voltage :1000V AC r.m.s Min
 Temperature Range-Operating: -55°C ~ +105°C

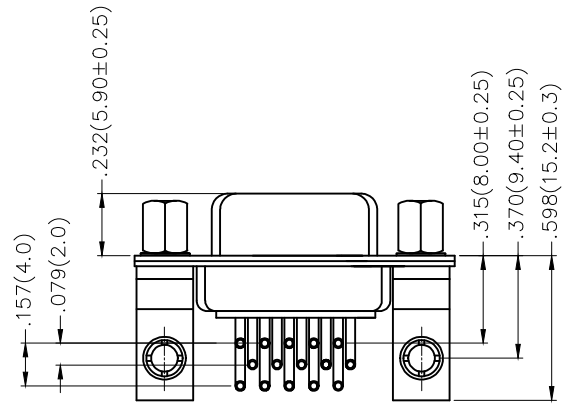
1 Category	2 Circuits	3 Distinction No.	4 Type	5 Assembly Layout
FDM-Machined pin D-SUB connector	15	12	FO-Female	D-DIP
6 Entry Angle	7 Plating	8 Thickness of Plating	9 Color-Resin	10 Packaging
B-90° Angle	1-Gold Plated	01-1μ" 03-3μ" Custom plate available	W1-White K6-Black	K-Tray L-Tube
				11 Distinction Type
				B-B Type

THIRD ANGLE PROJECTION	GENERAL TOLERANCES (UNLESS SPECIFIED)		APPROVE BY	DATE	PART NO.	ITEM NO.	3K-KAMING®
	X.±.012(0.30)	X'.±5'	FRANK	23/JUL/13	FDM1512-F0DB1XXXXXB	FDM1512	
DESIGN UNITS	X.X±.008(0.20)	.X'±2'	CHECKED BY	DATE	TITLE	REV 0 SHEET NO. 1/1	
Inch (metric)	X.XX±.006(0.15)	.XX'±1'	CHERRY	23/JUL/13	Machined pin D-SUB connector 90° Angle Female	THIS DRAWING CONTAINS INFORMATION THAT IS PROPRIETARY TO DONG GUAN LANG LUN(3K-KAMING) ELECTRONIC PRODUCTS CO.,LTD. AND SHOULD NOT BE USED WITHOUT WRITTEN PERMISSON	
SCALE	X.XXX±.004(0.10)	.XXX'±0.5'	DRAWN BY	DATE			
5:1			JACOB	23/JUL/13			

REV	LOCATIONS	DESCRIPTION	DATE	REVSER	APPD



Recommended P.C.Board Layout



Ordering Information

FDM	15	12	—	FO	D	B	1	XX	XX	X	C
1	2	3	4	5	6	7	8	9	10	11	

SPECIFICATION

Material and Plating

Insulator: PBT +30% G.F (UL94V-0)
 Contact: Brass/ Gold plated
 Shell: SPCC/ Front Nickel plated, Back Tin plated

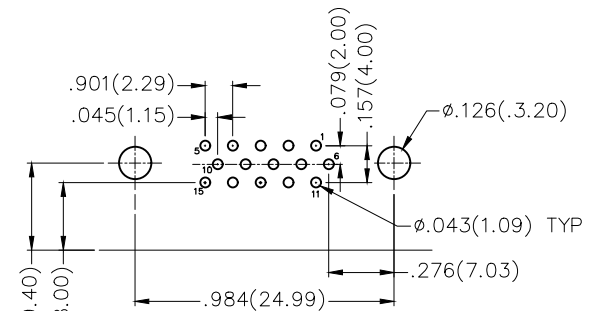
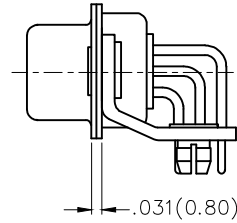
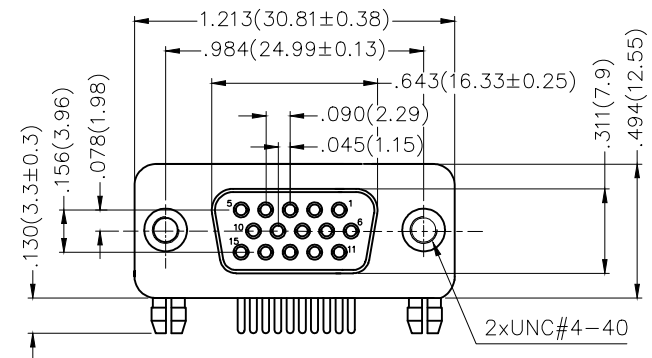
Electrical

Current Rating: 5A
 Voltage Rating: 300V
 Contact resistance: 30mΩ Max
 Insulation resistance: 5000MΩ Min. at 500V DC
 Dielectric Withstanding Voltage :1000V AC r.m.s Min
 Temperature Range-Operating: -55°C ~ +105°C

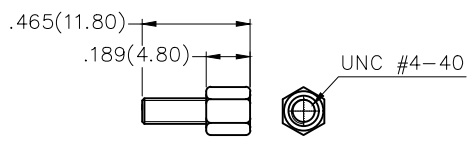
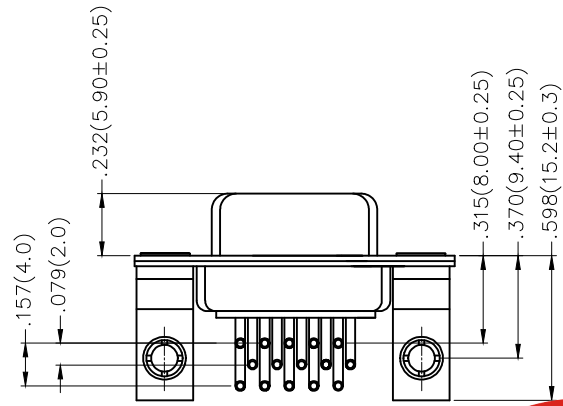
1 Category	2 Circuits	3 Distinction No.	4 Type	5 Assembly Layout
FDM-Machined pin D-SUB connector	15	12	FO-Female	D-DIP
6 Entry Angle	7 Plating	8 Thickness of Plating	9 Color-Resin	10 Packaging
B-90° Angle	1-Gold Plated	01-1μ" 03-3μ" Custom plate available	W1-White K6-Black	K-Tray L-Tube
				11 Distinction Type
				C-C Type

 THIRD ANGLE PROJECTION	GENERAL TOLERANCES (UNLESS SPECIFIED)		APPROVE BY	DATE	PART NO.	ITEM NO.	 3K-KAMING
	X.±.012(0.30)	X'.±5'	FRANK	23/JUL/13	FDM1512-F0DB1XXXXXC	FDM1512	
DESIGN UNITS	X.XX±.008(0.20)	.X'±2'	CHECKED BY	DATE	TITLE		
Inch (metric)	X.XX±.006(0.15)	.XX'±1'	CHERRY	23/JUL/13	Machined pin D-SUB connector		
SCALE	X.XXX±.004(0.10)	.XXX'±0.5'	DRAWN BY	DATE	90° Angle Female		
5:1			JACOB	23/JUL/13			
					THIS DRAWING CONTAINS INFORMATION THAT IS PROPRIETARY TO DONG GUAN LANG LUN(3K-KAMING) ELECTRONIC PRODUCTS CO.,LTD. AND SHOULD NOT BE USED WITHOUT WRITTEN PERMISSION		

REV	LOCATIONS	DESCRIPTION	DATE	REVISER	APPD



Recommended P.C.Board Layout



Screw (2pcs)

Ordering Information

FDM 15 12 — FO D B 1 XX XX X D
 1 2 3 4 5 6 7 8 9 10 11

SPECIFICATION

Material and Plating

Insulator: PBT +30% G.F (UL94V-0)
 Contact: Brass/ Gold plated
 Shell: SPCC/ Front Nickel plated, Back Tin plated

Electrical

Current Rating: 5A
 Voltage Rating: 300V
 Contact resistance: 30mΩ Max
 Insulation resistance: 5000MΩ Min. at 500V DC
 Dielectric Withstanding Voltage :1000V AC r.m.s Min
 Temperature Range-Operating: -55°C ~ +105°C



1	Category	2	Circuits	3	Distinction No.	4	Type	5	Assembly Layout		
	FDM-Machined pin D-SUB connector		15		12		FO-Female		D-DIP		
6	Entry Angle	7	Plating	8	Thickness of Plating	9	Color-Resin	10	Packaging	11	Distinction Type
	B-90° Angle		1-Gold Plated		01-1μ" 03-3μ" Custom plate available		W1-White K6-Black		K-Tray L-Tube		D-D Type

 THIRD ANGLE PROJECTION	GENERAL TOLERANCES (UNLESS SPECIFIED)		APPROVE BY	DATE	PART NO.	ITEM NO.	 3K-KAMING
	X.±.012(0.30)	X'.±5'	FRANK	23/JUL/13	FDM1512-F0DB1XXXXD	FDM1512	
DESIGN UNITS Inch (metric)	X.X±.008(0.20)	.X'±2'	CHECKED BY	DATE	TITLE	REV 0 SHEET NO. 1/1	
SCALE 5:1	X.XX±.006(0.15)	.XX'±1'	CHERRY	23/JUL/13	Machined pin D-SUB connector 90° Angle Female	THIS DRAWING CONTAINS INFORMATION THAT IS PROPRIETARY TO DONG GUAN LANG LUN(3K-KAMING) ELECTRONIC PRODUCTS CO.,LTD. AND SHOULD NOT BE USED WITHOUT WRITTEN PERMISSION	
SIZE A4	X.XXX±.004(0.10)	.XXX'±0.5'	DRAWN BY	DATE			
			JACOB	23/JUL/13			