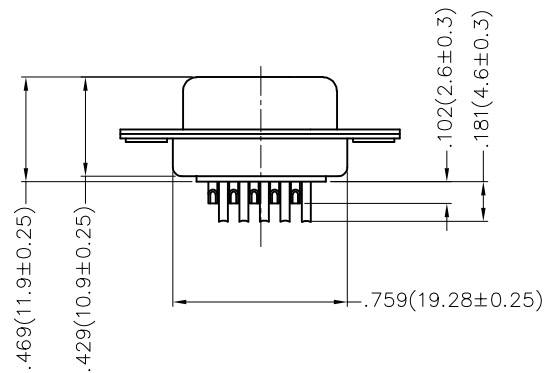
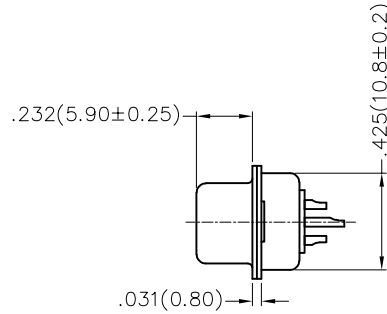
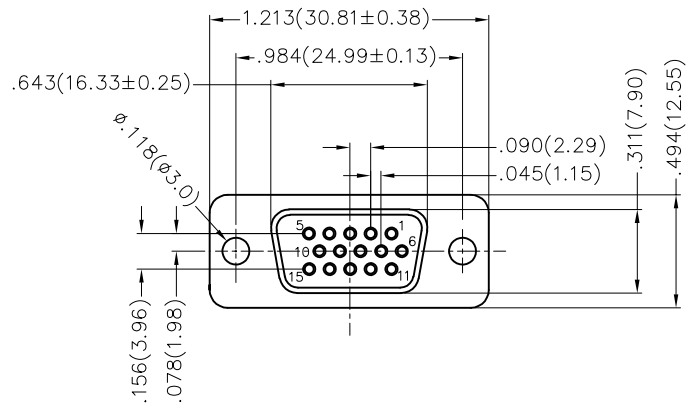


REV	LOCATIONS	DESCRIPTION	DATE	REVISER	APPD



### Ordering Information

FDM 15 11 — FO W S 1 XX XX X  
 1 2 3 4 5 6 7 8 9 10

**Materials And Finish**  
 Shell: Spcc Material, Front Nickel Plated 80μ" Min  
 Back Shell: SPCC, Tin Plated 100μ" Min  
 Insulator: Glass Filled Thermoplastic, UL 94V-0  
 Contact Material: Brass /Gold Plated  
**Electrical Characteristic**  
 Current Rating: 5.0A  
 Voltage Rating: 300V  
 Contact Resistance: 30mΩ Max  
 Dielectric Withstanding Voltage :1000V AC r.m.s  
 Insulation Resistance:5000 MΩ Min.  
 Temperature Range-Operating: -55°C ~ +105°C

1 Category FDM-Machined pin D-SUB connector	2 Circuits 15	3 Distinction No. 11	4 Type FO-Female	5 Assembly Layout W-Welding Type
6 Entry Angle S-180° Vertical	7 Plating 1-Gold Plated	8 Thickness of Plating 01-1μ" 03-3μ" Custom plate available	9 Color-Resin W1-White K6-Black	10 Packaging K-Tray L-Tube

 THIRD ANGLE PROJECTION	GENERAL TOLERANCES (UNLESS SPECIFIED)		APPROVE BY FRANK	DATE 23/JUL/13	PART NO. FDM1511-FOWS1XXXXX	ITEM NO. FDM1511-FO	 3K-KAMING	
	X.±.012(0.30)	X:±5'	CHECKED BY CHERRY	DATE 23/JUL/13	TITLE Machined pin D-SUB connector 180° Vertical Male			
DESIGN UNITS Inch (metric)	X.X±.008(0.20)	.X'±2'	DRAWN BY JACOB	DATE 23/JUL/13	THIS DRAWING CONTAINS INFORMATION THAT IS PROPRIETARY TO DONG GUAN LANG LUN(3K-KAMING) ELECTRONIC PRODUCTS CO.,LTD. AND SHOULD NOT BE USED WITHOUT WRITTEN PERMISSION		REV 0	SHEET NO. 1/1
SCALE 5:1	SIZE A4	X.XX±.006(0.15)						
		X.XXX±.004(0.10)						