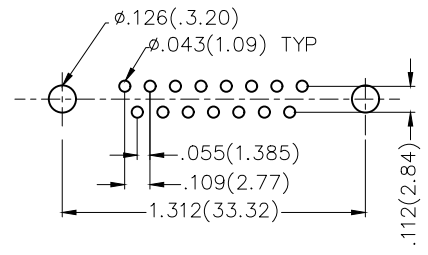
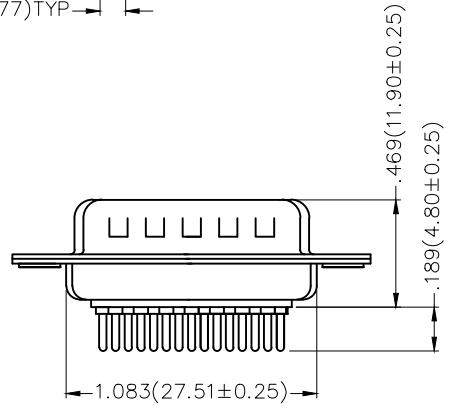
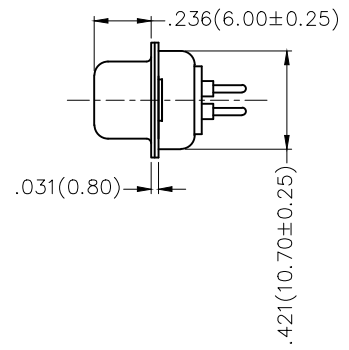
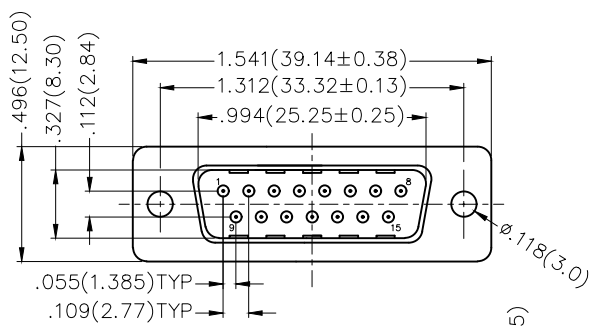


REV	LOCATIONS	DESCRIPTION	DATE	REVSER	APPD



Recommended P.C.Board Layout




Ordering Information

FDM 15 05 — MO D S 1 XX XX X  
 1 2 3 4 5 6 7 8 9 10

1 Category	2 Circuits	3 Distinction No.	4 Type	5 Assembly Layout
FDM—Machined pin D—SUB connector	15	05	MO—Male	D—DIP
6 Entry Angle	7 Plating	8 Thickness of Plating	9 Color—Resin	10 Packaging
S—180° Vertical	1—Gold Plated	01—1μ" 03—3μ" Custom plate available	W1—White K6—Black	K—Tray L—Tube

Materials And Finish  
 Shell: Spcc Material, Front Nickel Plated 80μ" Min  
 Back Shell: SPCC, Tin Plated 100μ" Min  
 Insulator: Glass Filled Thermoplastic, UL 94V-0  
 Contact Material: Brass /Gold Plated  
 Electrical Characteristic  
 Current Rating: 7.5A  
 Voltage Rating: 300V  
 Contact Resistance: 5mΩ Max  
 Dielectric Withstanding Voltage :1000V AC r.m.s  
 Insulation Resistance: 5000 MΩ Min.  
 Temperature Range—Operating: -55°C ~ +105°C

THIRD ANGLE PROJECTION	GENERAL TOLERANCES (UNLESS SPECIFIED)		APPROVE BY	DATE	PART NO.	ITEM NO.	 <b>3K-KAMING</b> REV 0 SHEET NO. 1/1
	DESIGN UNITS Inch (metric)	X.±.012(0.30) X.X±.008(0.20) X.XX±.006(0.15) X.XXX±.004(0.10)	X.±5° .X±2° .XX±1° .XXX±0.5°	FRANK	23/JUL/13	FDM1505—MODS1XXXXX	
SCALE 5:1	SIZE A4		CHECKED BY	DATE	TITLE	THIS DRAWING CONTAINS INFORMATION THAT IS PROPRIETARY TO DONG GUAN LANG LUN(3K-KAMING) ELECTRONIC PRODUCTS CO.,LTD. AND SHOULD NOT BE USED WITHOUT WRITTEN PERMISSION	
			CHERRY	23/JUL/13	Machined pin D—SUB connector 180° Vertical Male		
			DRAWN BY	DATE			
			JACOB	23/JUL/13			