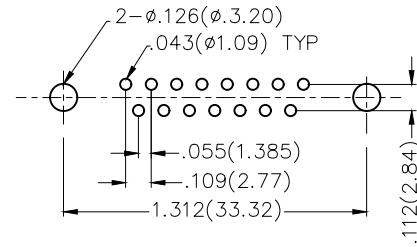
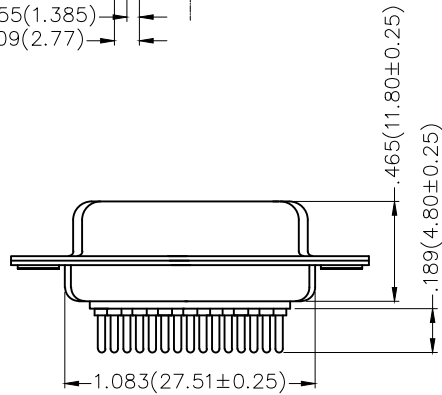
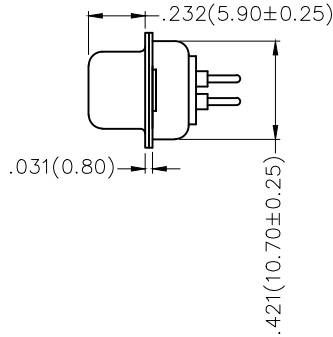
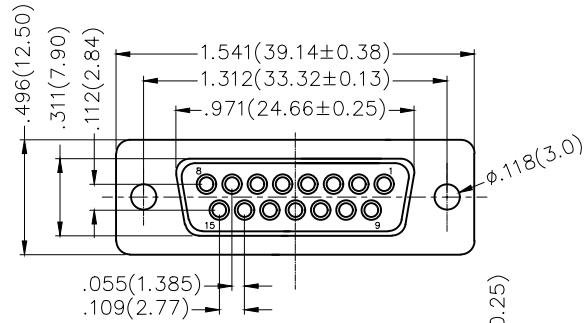


REV	LOCATIONS	DESCRIPTION	DATE	REVSER	APPD



Recommended P.C.Board Layout



Ordering Information

FDM 15 05 — F0 D S 1 XX XX X  
 1 2 3 4 5 6 7 8 9 10

1	Category	2	Circuits	3	Distinction No.	4	Type	5	Assembly Layout
	FDM—Machined pin D—SUB connector		15		05		F0—Female		D—DIP
6	Entry Angle	7	Plating	8	Thickness of Plating	9	Color—Resin	10	Packaging
	S—180° Vertical		1—Gold Plated		01—1μ" 03—3μ" Custom plate available		W1—White K6—Black		K—Tray L—Tube

Materials And Finish

Shell: Spcc Material, Front Nickel Plated 80μ" Min  
 Back Shell: SPCC, Tin Plated 100μ" Min  
 Insulator: Glass Filled Thermoplastic, UL 94V-0  
 Contact Material: Brass /Gold Plated  
 Electrical Characteristic  
 Current Rating: 7.5A  
 Voltage Rating: 300V  
 Contact Resistance: 5mΩ Max  
 Dielectric Withstanding Voltage :1000V AC r.m.s  
 Insulation Resistance: 5000 MΩ Min.  
 Temperature Range—Operating: -55°C ~ +105°C

 THIRD ANGLE PROJECTION	GENERAL TOLERANCES (UNLESS SPECIFIED)		APPROVE BY	DATE	PART NO.	ITEM NO.	 3K-KAMING		
	X.±.012(0.30)	X.±5'	FRANK	23/JUL/13	FDM1505—FODS1XXXXX	FDM1505			
	DESIGN UNITS	X.X±.008(0.20)	.X'±2'	CHECKED BY	DATE	TITLE		REV 0	SHEET NO. 1/1
	Inch (metric)	X.XX±.006(0.15)	.XX'±1'	CHERRY	23/JUL/13	Machined pin D—SUB connector 180° Vertical Female			
SCALE	SIZE	X.XXX±.004(0.10)	.XXX'±0.5'	DRAWN BY	DATE	THIS DRAWING CONTAINS INFORMATION THAT IS PROPRIETARY TO DONG GUAN LANG LUN(3K-KAMING) ELECTRONIC PRODUCTS CO.,LTD. AND SHOULD NOT BE USED WITHOUT WRITTEN PERMISSION			
5:1	A4			JACOB	23/JUL/13				