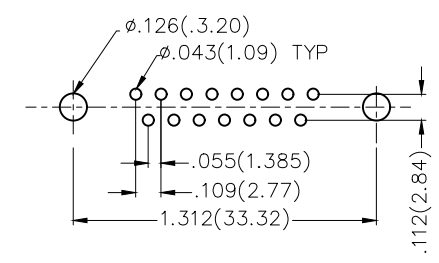
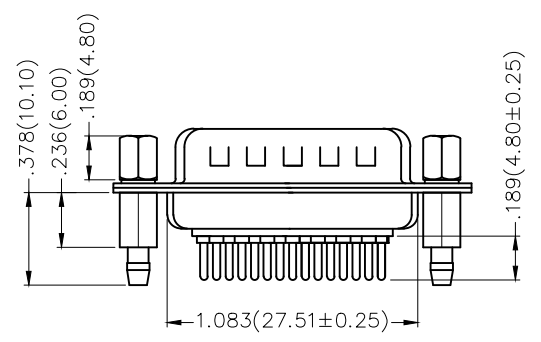
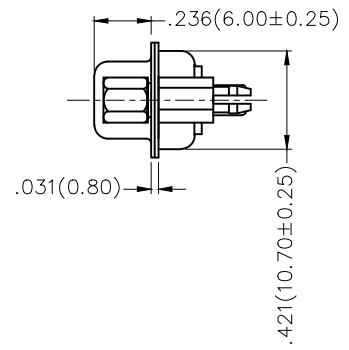
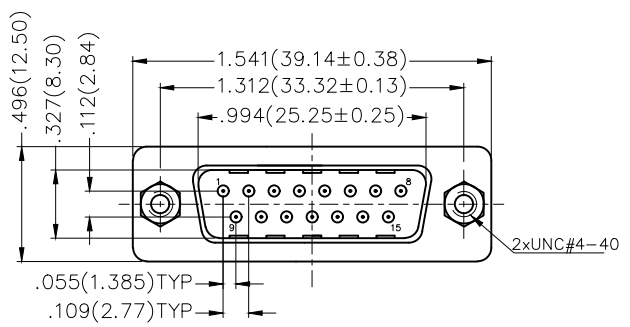


| | | | | | |
|-----|-----------|-------------|------|--------|------|
| REV | LOCATIONS | DESCRIPTION | DATE | REVSER | APPD |
| | | | | | |



Recommended P.C.Board Layout




Ordering Information

FDM 15 04 — MO D S 1 XX XX X
 1 2 3 4 5 6 7 8 9 10

| | | | | |
|----------------------------------|---------------|--|----------------------|-------------------|
| 1 Category | 2 Circuits | 3 Distinction No. | 4 Type | 5 Assembly Layout |
| FDM—Machined pin D—SUB connector | 15 | 04 | MO—Male | D—DIP |
| 6 Entry Angle | 7 Plating | 8 Thickness of Plating | 9 Color—Resin | 10 Packaging |
| S—180° Vertical | 1—Gold Plated | 01—1μ" 03—3μ" Custom plate available | W1—White K6—Black | K—Tray L—Tube |

Materials And Finish
 Shell: Spcc Material, Front Nickel Plated 80μ" Min
 Back Shell: SPCC, Tin Plated 100μ" Min
 Insulator: Glass Filled Thermoplastic, UL 94V-0
 Contact Material: Brass /Gold Plated
Electrical Characteristic
 Current Rating: 7.5A
 Voltage Rating: 300V
 Contact Resistance: 5mΩ Max
 Dielectric Withstanding Voltage :1000V AC r.m.s
 Insulation Resistance: 5000 MΩ Min.
 Temperature Range—Operating: -55°C ~ +105°C

| | | | | | | | |
|-------------------------------|---------------------------------------|------------|------------|-----------|---|----------|---|
| THIRD ANGLE PROJECTION | GENERAL TOLERANCES (UNLESS SPECIFIED) | | APPROVE BY | DATE | PART NO. | ITEM NO. |  3K-KAMING |
| | X.±.012(0.30) | X.±5' | FRANK | 23/JUL/13 | FDM1504—MODS1XXXXX | FDM1504 | |
| DESIGN UNITS Inch (metric) | X.X±.008(0.20) | .X'±2' | CHECKED BY | DATE | TITLE | | REV 0 |
| SCALE 5:1 | X.XX±.006(0.15) | .XX'±1' | CHERRY | 23/JUL/13 | Machined pin D—SUB connector 180° Vertical Male | | SHEET NO. 1/1 |
| SIZE A4 | X.XXX±.004(0.10) | .XXX'±0.5' | DRAWN BY | DATE | THIS DRAWING CONTAINS INFORMATION THAT IS PROPRIETARY TO DONG GUAN LANG LUN(3K-KAMING) ELECTRONIC PRODUCTS CO.,LTD. AND SHOULD NOT BE USED WITHOUT WRITTEN PERMISSION | | |
| | | | JACOB | 23/JUL/13 | | | |