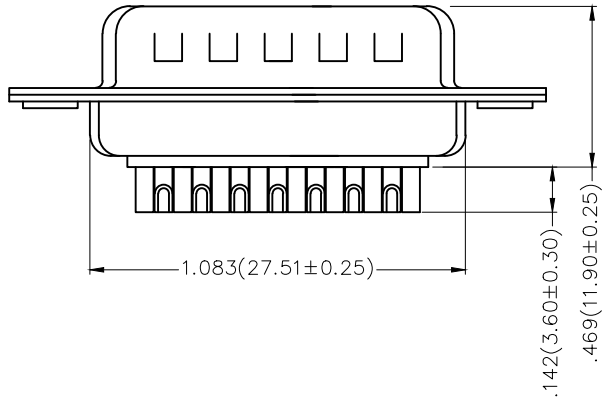
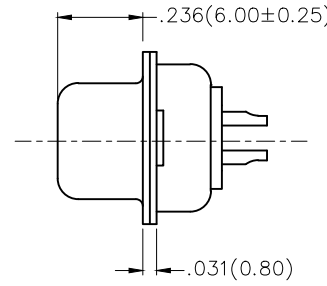
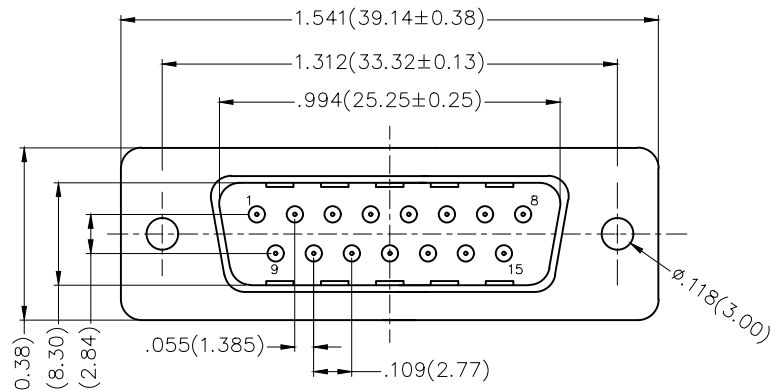


REV	LOCATIONS	DESCRIPTION	DATE	REVSER	APPD



Ordering Information

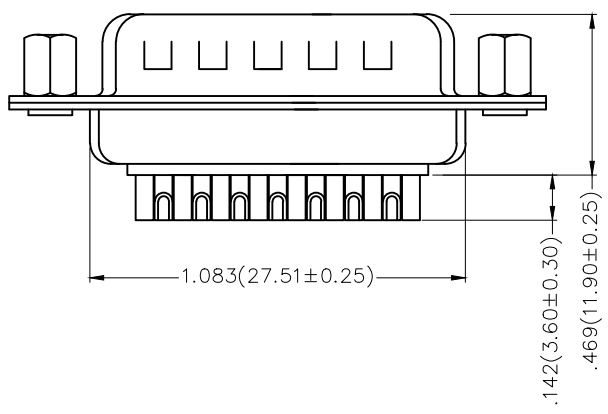
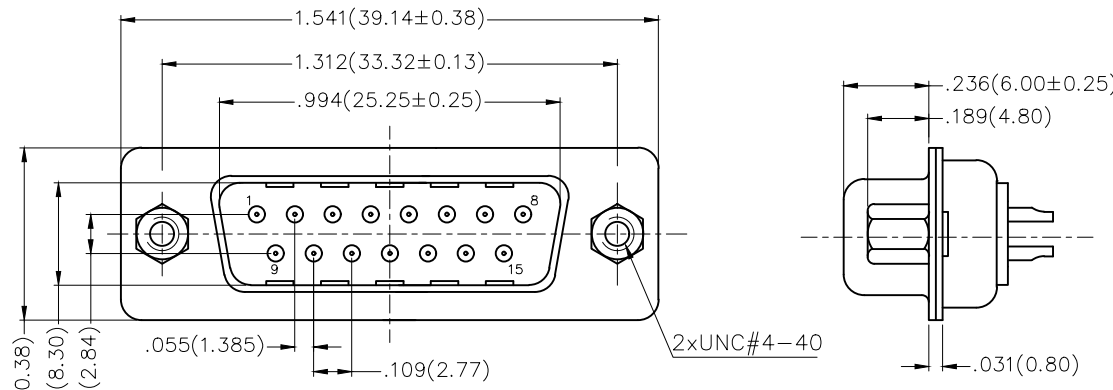
FDM 15 03 — M0 W S 1 XX XX X  
 1 2 3 4 5 6 7 8 9 10

1 Category	2 Circuits	3 Distinction No.	4 Type	5 Assembly Layout	6 Entry Angle
FDM—Machined pin D—SUB connector	15	03	M0—Male	W—Welding Type	S—180° Vertical
7 Plating	8 Thickness of Plating	9 Color—Resin	10 Packaging		
1—Gold Plated	01—1μ" 03—3μ" Custom plate available	W1—White K6—Black	K—Tray L—Tube		

**Materials And Finish**  
 Shell: Spcc Material, Front Nickel Plated 80μ" Min  
 Back Shell: SPCC, Tin Plated 100μ" Min  
 Insulator: Glass Filled Thermoplastic, UL 94V-0  
 Contact Material: Brass /Gold Plated  
**Electrical Characteristic**  
 Current Rating: 7.5A  
 Voltage Rating: 300V  
 Contact Resistance: 5mΩ Max  
 Dielectric Withstanding Voltage :1000V AC r.m.s  
 Insulation Resistance: 5000 MΩ Min.  
 Temperature Range—Operating: -55°C ~ +105°C

 THIRD ANGLE PROJECTION	GENERAL TOLERANCES (UNLESS SPECIFIED)		APPROVE BY	DATE	PART NO.	ITEM NO.	 3K-KAMING
	X.±.012(0.30)	X.±5'	FRANK	23/JUL/13	FDM1503—MOWS1XXXXX	FDM1503	
	X.X±.008(0.20)	.X'±2'	CHECKED BY	DATE	TITLE Machined pin D—SUB connector 180° Vertical Male		
	X.XX±.006(0.15)	.XX'±1'	CHERRY	23/JUL/13	REV 0	SHEET NO. 1/1	
DESIGN UNITS Inch (metric)	X.XXX±.004(0.10)	.XXX'±0.5'	DRAWN BY	DATE	THIS DRAWING CONTAINS INFORMATION THAT IS PROPRIETARY TO DONG GUAN LANG LUN(3K-KAMING) ELECTRONIC PRODUCTS CO., LTD. AND SHOULD NOT BE USED WITHOUT WRITTEN PERMISSION		
SCALE 5:1	SIZE A4		JACOB	23/JUL/13			

REV	LOCATIONS	DESCRIPTION	DATE	REVSER	APPD



### Ordering Information

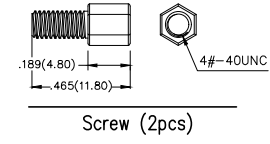
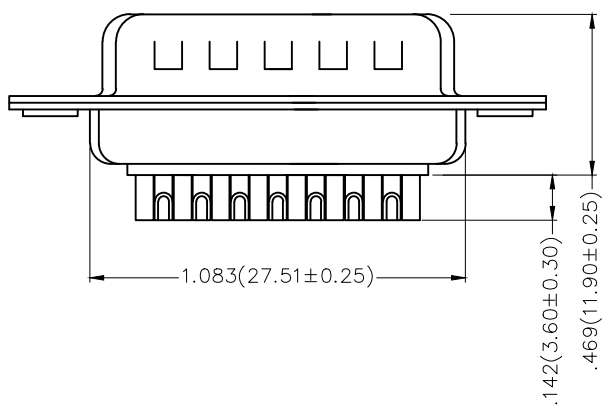
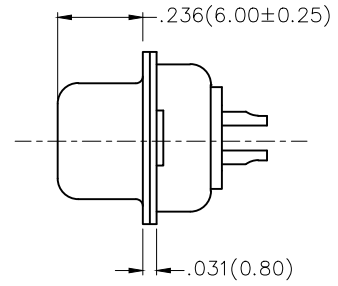
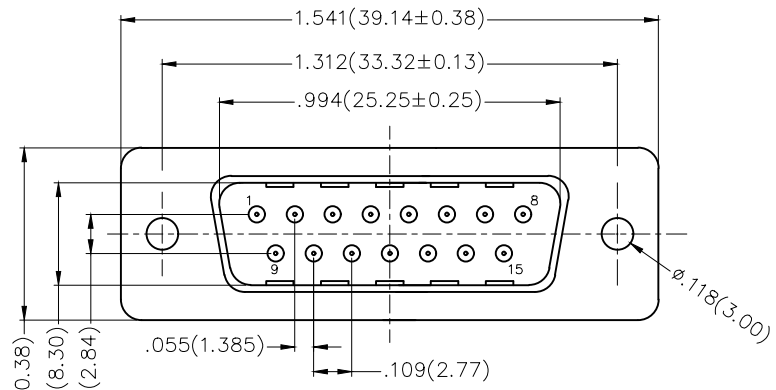
FDM 15 03 — M0 W S 1 XX XX X — B  
 1 2 3 4 5 6 7 8 9 10 11

1 Category FDM—Machined pin D—SUB connector	2 Circuits 15	3 Distinction No. 03	4 Type M0—Male	5 Assembly Layout W—Welding Type	6 Entry Angle S—180° Vertical
7 Plating 1—Gold Plated	8 Thickness of Plating 01—1μ" 03—3μ" Custom plate available	9 Color—Resin W1—White K6—Black	10 Packaging K—Tray L—Tube	11 Distinction Type B—B Type	

**Materials And Finish**  
 Shell: Spcc Material, Front Nickel Plated 80μ" Min  
 Back Shell: SPCC, Tin Plated 100μ" Min  
 Insulator: Glass Filled Thermoplastic, UL 94V-0  
 Contact Material: Brass /Gold Plated  
**Electrical Characteristic**  
 Current Rating: 7.5A  
 Voltage Rating: 300V  
 Contact Resistance: 5mΩ Max  
 Dielectric Withstanding Voltage :1000V AC r.m.s  
 Insulation Resistance: 5000 MΩ Min.  
 Temperature Range—Operating: -55°C ~ +105°C

 THIRD ANGLE PROJECTION	GENERAL TOLERANCES (UNLESS SPECIFIED)		APPROVE BY FRANK	DATE 23/JUL/13	PART NO. FDM1503-MOWS1XXXX-B	ITEM NO. FDM1503	 3K-KAMING	
	DESIGN UNITS Inch (metric)	X.±.012(0.30) X.X±.008(0.20)	X.±5' .X±2'	CHECKED BY CHERRY	DATE 23/JUL/13	TITLE Machined pin D—SUB connector 180° Vertical Male		
	SCALE 5:1	X.XX±.006(0.15) X.XXX±.004(0.10)	.XX±1' .XXX±0.5'	DRAWN BY JACOB	DATE 23/JUL/13	THIS DRAWING CONTAINS INFORMATION THAT IS PROPRIETARY TO DONG GUAN LANG LUN(3K-KAMING) ELECTRONIC PRODUCTS CO.,LTD. AND SHOULD NOT BE USED WITHOUT WRITTEN PERMISSION		
	SIZE A4					REV 0		SHEET NO. 1/1

REV	LOCATIONS	DESCRIPTION	DATE	REVISED	APPD



### Ordering Information

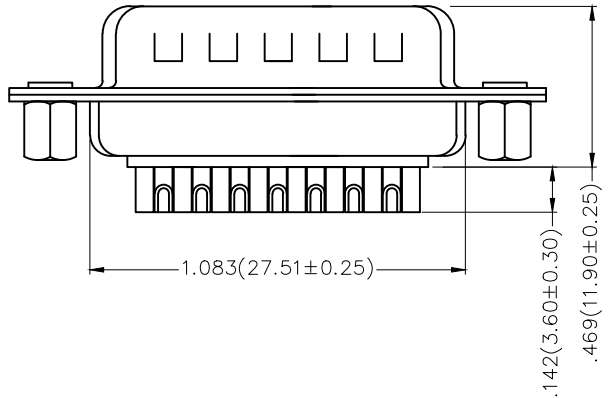
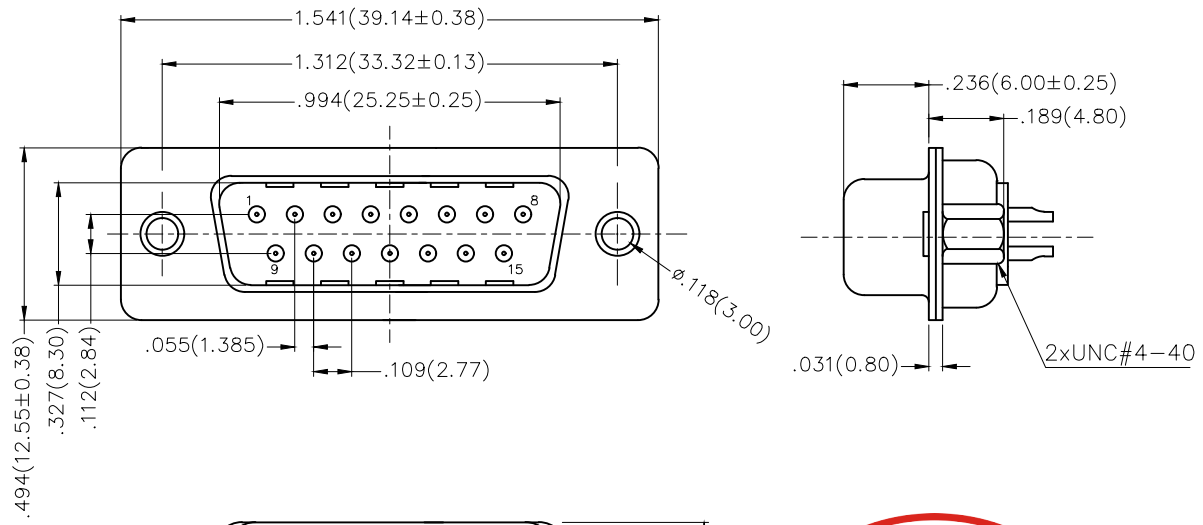
FDM 15 03 — M0 W S 1 XX XX X — C  
 1 2 3 4 5 6 7 8 9 10 11

1 Category	2 Circuits	3 Distinction No.	4 Type	5 Assembly Layout	6 Entry Angle
FDM-Machined pin D-SUB connector	15	03	M0-Male	W-Welding Type	S-180° Vertical
7 Plating	8 Thickness of Plating	9 Color-Resin	10 Packaging	11 Distinction Type	
1-Gold Plated	01-1μ" 03-3μ" Custom plate available	W1-White K6-Black	K-Tray L-Tube	C-C Type	

**Materials And Finish**  
 Shell: Spcc Material, Front Nickel Plated 80μ" Min  
 Back Shell: SPCC, Tin Plated 100μ" Min  
 Insulator: Glass Filled Thermoplastic, UL 94V-0  
 Contact Material: Brass /Gold Plated  
**Electrical Characteristic**  
 Current Rating: 7.5A  
 Voltage Rating: 300V  
 Contact Resistance: 5mΩ Max  
 Dielectric Withstanding Voltage :1000V AC r.m.s  
 Insulation Resistance: 5000 MΩ Min.  
 Temperature Range-Operating: -55°C ~ +105°C

 THIRD ANGLE PROJECTION	GENERAL TOLERANCES (UNLESS SPECIFIED)		APPROVE BY	DATE	PART NO.	ITEM NO.	 3K-KAMING
	X.±.012(0.30)	X.±5'	FRANK	23/JUL/13	FDM1503-MOWS1XXXXX-C	FDM1503	
	X.X±.008(0.20)	.X±2'	CHECKED BY	DATE	TITLE Machined pin D-SUB connector 180° Vertical Male		
	X.XX±.006(0.15)	.XX±1'	CHERRY	23/JUL/13	REV 0	SHEET NO. 1/1	
DESIGN UNITS Inch (metric)	X.XXX±.004(0.10)	.XXX±0.5'	DRAWN BY	DATE	THIS DRAWING CONTAINS INFORMATION THAT IS PROPRIETARY TO DONG GUAN LANG LUN(3K-KAMING) ELECTRONIC PRODUCTS CO.,LTD. AND SHOULD NOT BE USED WITHOUT WRITTEN PERMISSION		
SCALE 5:1	SIZE A4		JACOB	23/JUL/13			

REV	LOCATIONS	DESCRIPTION	DATE	REVISED	APPD



Ordering Information

FDM 15 03 — M0 W S 1 XX XX X — D  
 1 2 3 4 5 6 7 8 9 10 11

1 Category	2 Circuits	3 Distinction No.	4 Type	5 Assembly Layout	6 Entry Angle
FDM—Machined pin D—SUB connector	15	03	M0—Male	W—Welding Type	S—180° Vertical
7 Plating	8 Thickness of Plating	9 Color—Resin	10 Packaging	11 Distinction Type	
1—Gold Plated	01—1μ" 03—3μ" Custom plate available	W1—White K6—Black	K—Tray L—Tube	D—D Type	

**Materials And Finish**  
 Shell: Spcc Material, Front Nickel Plated 80μ" Min  
 Back Shell: SPCC, Tin Plated 100μ" Min  
 Insulator: Glass Filled Thermoplastic, UL 94V-0  
 Contact Material: Brass /Gold Plated  
**Electrical Characteristic**  
 Current Rating: 7.5A  
 Voltage Rating: 300V  
 Contact Resistance: 5mΩ Max  
 Dielectric Withstanding Voltage :1000V AC r.m.s  
 Insulation Resistance: 5000 MΩ Min.  
 Temperature Range—Operating: -55°C ~ +105°C

 THIRD ANGLE PROJECTION	GENERAL TOLERANCES (UNLESS SPECIFIED)		APPROVE BY	DATE	PART NO.	ITEM NO.	 3K-KAMING	
	X.±.012(0.30)	X.±5'	FRANK	23/JUL/13	FDM1503-MOWS1XXXXX-D	FDM1503		
	X.X±.008(0.20)	.X'±2'	CHECKED BY	DATE	TITLE Machined pin D—SUB connector 180° Vertical Male			
DESIGN UNITS Inch (metric)	X.XX±.006(0.15)	.XX'±1'	CHERRY	23/JUL/13			REV 0	SHEET NO. 1/1
SCALE 5:1	SIZE A4	X.XXX±.004(0.10)	.XXX'±0.5'	DRAWN BY	DATE	THIS DRAWING CONTAINS INFORMATION THAT IS PROPRIETARY TO DONG GUAN LANG LUN(3K-KAMING) ELECTRONIC PRODUCTS CO., LTD. AND SHOULD NOT BE USED WITHOUT WRITTEN PERMISSION		
			JACOB	23/JUL/13				