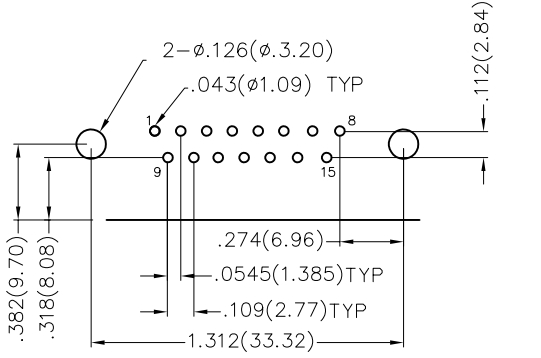
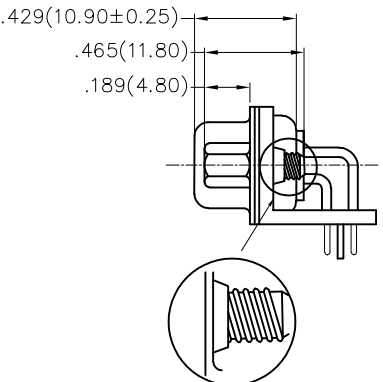
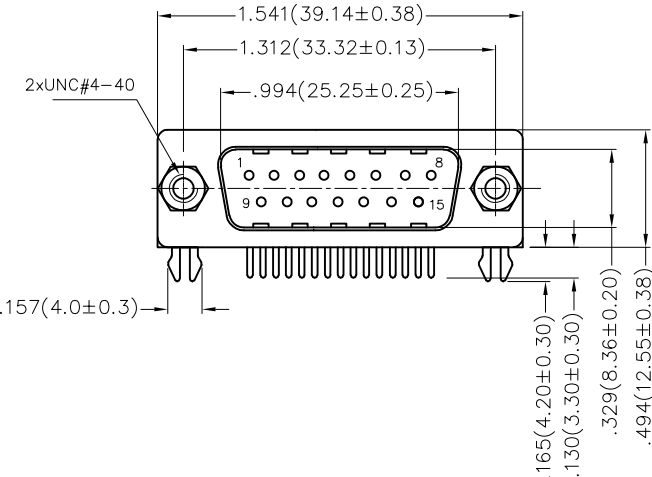
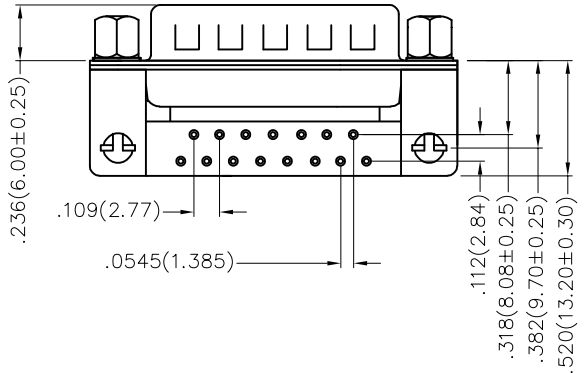


REV	LOCATIONS	DESCRIPTION	DATE	REVISER	APPD



Recommended P.C.Board Layout



Ordering Information

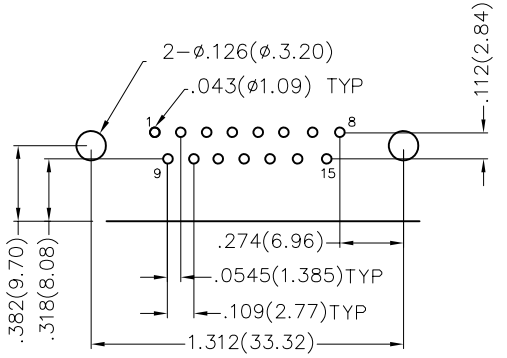
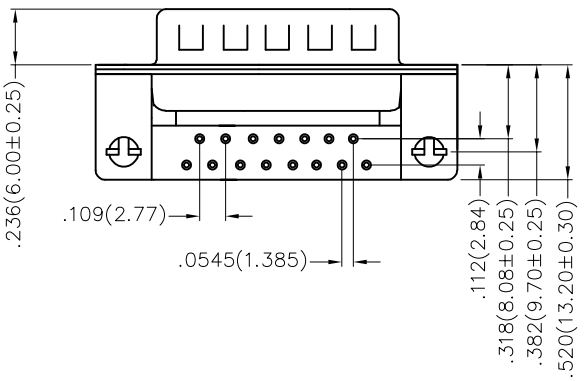
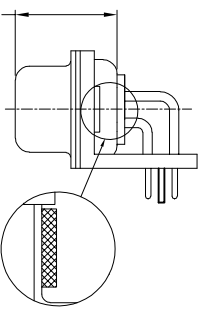
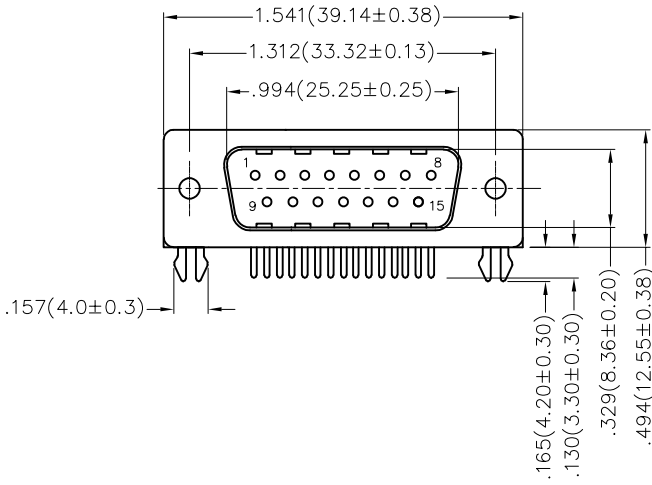
FDM 15 01 — M0 D B 1 XX XX X
 1 2 3 4 5 6 7 8 9 10

Materials And Finish
 Shell: Spcc Material, Front Nickel Plated 80μ" Min
 Back Shell: SPCC, Tin Plated 100μ" Min
 Insulator: Glass Filled Thermoplastic, UL 94V-0
 Contact Material: Brass /Gold Plated
 Electrical Characteristic
 Current Rating: 7.5A
 Voltage Rating: 300V
 Contact Resistance: 5mΩ Max
 Dielectric Withstanding Voltage :1000V AC r.m.s
 Insulation Resistance: 5000 MΩ Min.
 Temperature Range-Operating: -55°C ~ +105°C

1	Category	2	Circuits	3	Distinction No.	4	Type	5	Assembly Layout	6	Entry Angle
	FDM-Machined pin D-SUB connector		15		01		MO-Male		D-DIP		B-90° Angle
7	Plating	8	Thickness of Plating	9	Color-Resin	10	Packaging				
	1-Gold Plated		01-1μ" 03-3μ" Custom plate available		W1-White K6-Black		K-Tray L-Tube				

THIRD ANGLE PROJECTION	GENERAL TOLERANCES (UNLESS SPECIFIED)		APPROVE BY	DATE	PART NO.	ITEM NO.	
	X.±.012(0.30)	X.±5'	FRANK	28/JUN/13	FDM1501-MO	FDM1501-MO	
DESIGN UNITS Inch (metric)	X.X±.008(0.20)	.X'±2'	CHECKED BY	DATE	TITLE		REV 0 SHEET NO. 1/1 THIS DRAWING CONTAINS INFORMATION THAT IS PROPRIETARY TO DONG GUAN LANG LUN(3K-KAMING) ELECTRONIC PRODUCTS CO.,LTD. AND SHOULD NOT BE USED WITHOUT WRITTEN PERMISSION
SCALE 5:1	X.XX±.006(0.15)	.XX'±1'	JACOB	28/JUN/13	Machined pin D-SUB connector 90° Angle Male		
SIZE A/L	X.XXX±.004(0.10)	.XXX'±0.5'	DRAWN BY	DATE			
			CHERRY	28/JUN/13			

REV	LOCATIONS	DESCRIPTION	DATE	REVISER	APPD



Recommended P.C.Board Layout

Ordering Information

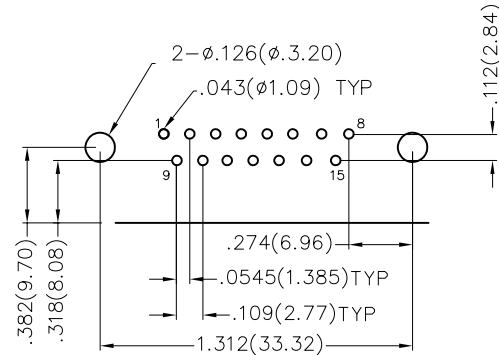
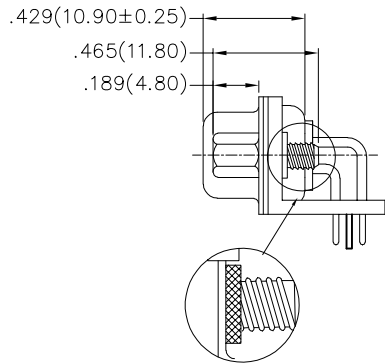
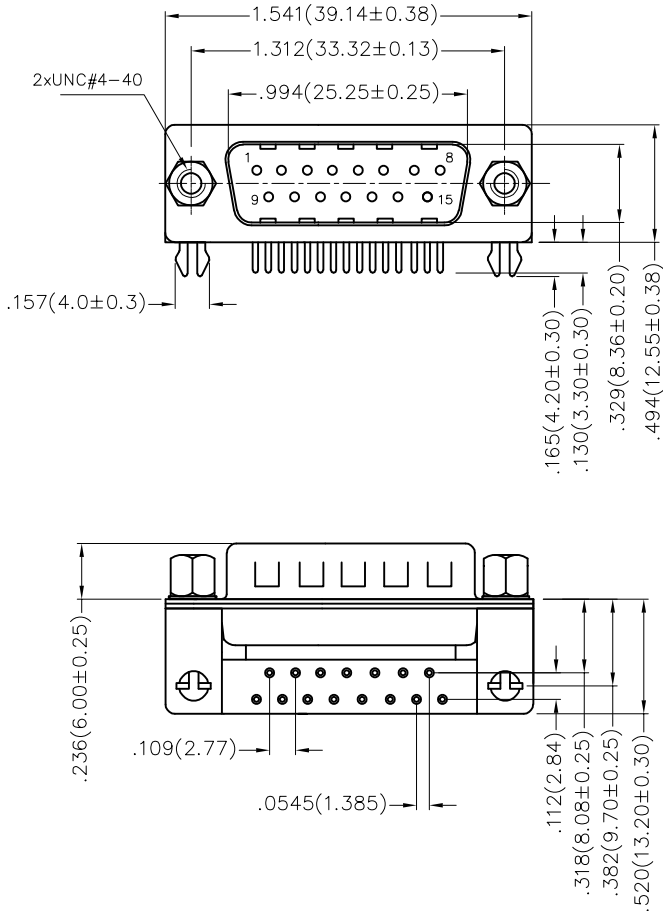
FDM 15 01 — M0 D B 1 XX XX X B
 1 2 3 4 5 6 7 8 9 10 11

Materials And Finish
 Shell: Spcc Material, Front Nickel Plated 80μ" Min
 Back Shell: SPCC, Tin Plated 100μ" Min
 Insulator: Glass Filled Thermoplastic, UL 94V-0
 Contact Material: Brass /Gold Plated
 Electrical Characteristic
 Current Rating: 7.5A
 Voltage Rating: 300V
 Contact Resistance: 5mΩ Max
 Dielectric Withstanding Voltage :1000V AC r.m.s
 Insulation Resistance: 5000 MΩ Min.
 Temperature Range-Operating: -55°C ~ +105°C

1 Category FDM-Machined pin D-SUB connector	2 Circuits 15	3 Distinction No. 01	4 Type MO-Male	5 Assembly Layout D-DIP	6 Entry Angle B-90° Angle
7 Plating 1-Gold Plated	8 Thickness of Plating 01-1μ" 03-3μ" Custom plate available	9 Color-Resin W1-White K6-Black	10 Packaging K-Tray L-Tube	11 Distinction Type B-B Type	

THIRD ANGLE PROJECTION	GENERAL TOLERANCES (UNLESS SPECIFIED)		APPROVE BY FRANK	DATE 28/JUN/13	PART NO. FDM1501-MO	ITEM NO. FDM1501-MO		
	DESIGN UNITS Inch (metric)	X.±.012(0.30) .X.±5'	CHECKED BY JACOB	DATE 28/JUN/13	TITLE Machined pin D-SUB connector 90° Angle Male			REV 0
SCALE 5:1	SIZE A4	X.XX±.006(0.15) .XX'±1"	DRAWN BY CHERRY	DATE 28/JUN/13	THIS DRAWING CONTAINS INFORMATION THAT IS PROPRIETARY TO DONG GUAN LANG LUN(3K-KAMING) ELECTRONIC PRODUCTS CO.,LTD. AND SHOULD NOT BE USED WITHOUT WRITTEN PERMISSION			

REV	LOCATIONS	DESCRIPTION	DATE	REVISER	APPD



Recommended P.C.Board Layout

Ordering Information

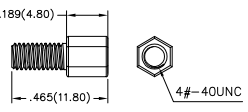
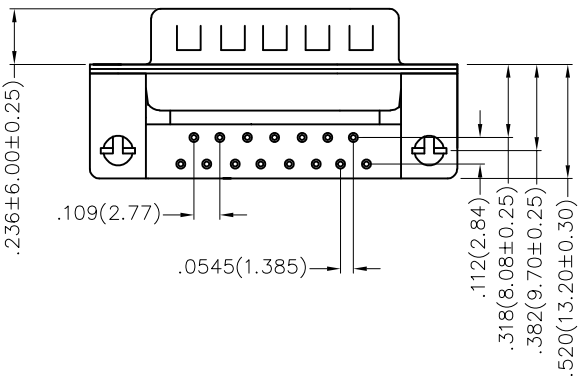
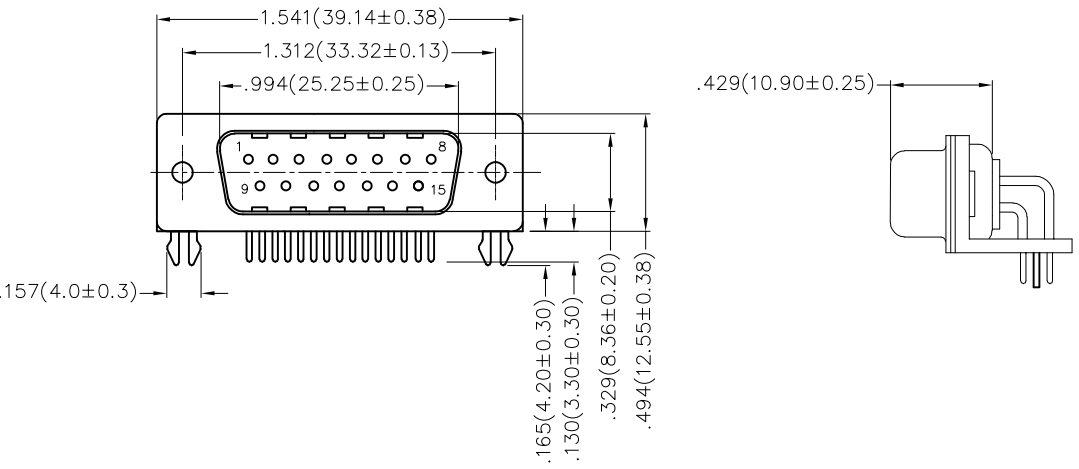
FDM 15 01 — M0 D B 1 XX XX X C
 1 2 3 4 5 6 7 8 9 10 11

Materials And Finish
 Shell: Spcc Material, Front Nickel Plated 80μ" Min
 Back Shell: SPCC, Tin Plated 100μ" Min
 Insulator: Glass Filled Thermoplastic, UL 94V-0
 Contact Material: Brass /Gold Plated
 Electrical Characteristic
 Current Rating: 7.5A
 Voltage Rating: 300V
 Contact Resistance: 5mΩ Max
 Dielectric Withstanding Voltage :1000V AC r.m.s
 Insulation Resistance: 5000 MΩ Min.
 Temperature Range-Operating: -55°C ~ +105°C

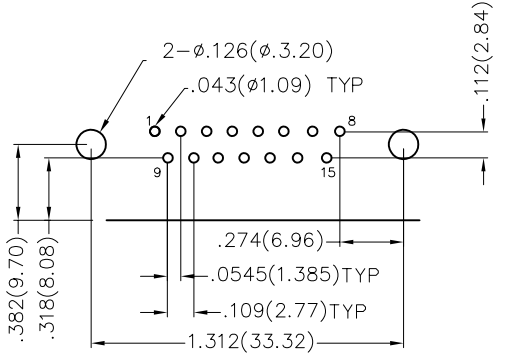
1	Category	2	Circuits	3	Distinction No.	4	Type	5	Assembly Layout	6	Entry Angle
	FDM-Machined pin D-SUB connector		15		01		MO-Male		D-DIP		B-90° Angle
7	Plating	8	Thickness of Plating	9	Color-Resin	10	Packaging	11	Distinction Type		
	1-Gold Plated		01-1μ" 03-3μ" Custom plate available		W1-White K6-Black		K-Tray L-Tube		C-C Type		

THIRD ANGLE PROJECTION	GENERAL TOLERANCES (UNLESS SPECIFIED)		APPROVE BY	DATE	PART NO.	ITEM NO.	
	X.±0.12(0.30)	X.±5'	FRANK	28/JUN/13	FDM1501-MO	FDM1501-MO	
DESIGN UNITS Inch (metric)	X.X±.008(0.20)	.X'±2'	CHECKED BY	DATE	TITLE		REV 0 SHEET NO. 1/1
SCALE 5:1	X.XX±.006(0.15)	.XX'±1'	JACOB	28/JUN/13	Machined pin D-SUB connector 90° Angle Male		
SIZE A/L	X.XXX±.004(0.10)	.XXX'±0.5'	DRAWN BY	DATE	THIS DRAWING CONTAINS INFORMATION THAT IS PROPRIETARY TO DONG GUAN LANG LUN(3K-KAMING) ELECTRONIC PRODUCTS CO.,LTD. AND SHOULD NOT BE USED WITHOUT WRITTEN PERMISSION		
			CHERRY	28/JUN/13			

REV	LOCATIONS	DESCRIPTION	DATE	REVISER	APPD



Screw (2pcs)



Recommended P.C.Board Layout



Ordering Information

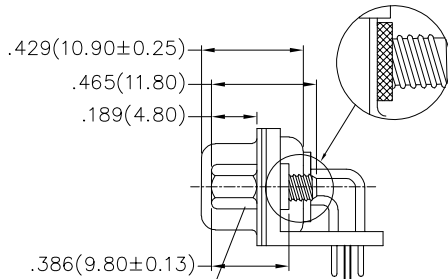
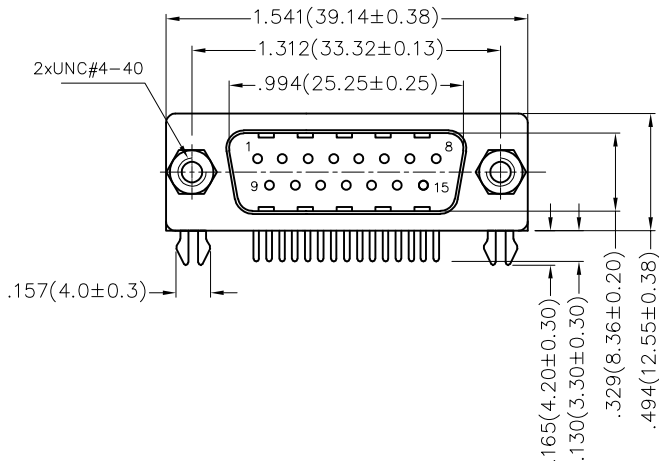
FDM 15 01 — M0 D B 1 XX XX X D
 1 2 3 4 5 6 7 8 9 10 11

Materials And Finish
 Shell: Spcc Material, Front Nickel Plated 80μ" Min
 Back Shell: SPCC, Tin Plated 100μ" Min
 Insulator: Glass Filled Thermoplastic, UL 94V-0
 Contact Material: Brass /Gold Plated
 Electrical Characteristic
 Current Rating: 7.5A
 Voltage Rating: 300V
 Contact Resistance: 5mΩ Max
 Dielectric Withstanding Voltage :1000V AC r.m.s
 Insulation Resistance: 5000 MΩ Min.
 Temperature Range-Operating: -55°C ~ +105°C

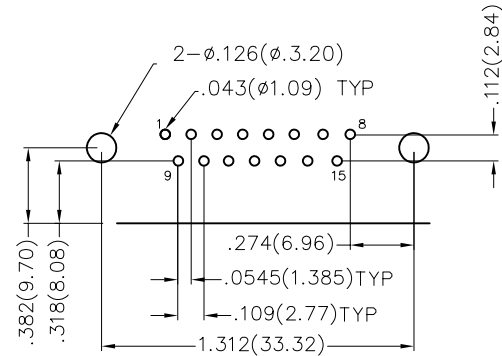
1 Category FDM-Machined pin D-SUB connector	2 Circuits 15	3 Distinction No. 01	4 Type MO-Male	5 Assembly Layout D-DIP	6 Entry Angle B-90° Angle
7 Plating 1-Gold Plated	8 Thickness of Plating 01-1μ" 03-3μ" Custom plate available	9 Color-Resin W1-White K6-Black	10 Packaging K-Tray L-Tube	11 Distinction Type D-D Type	

THIRD ANGLE PROJECTION	GENERAL TOLERANCES (UNLESS SPECIFIED)		APPROVE BY FRANK	DATE 28/JUN/13	PART NO. FDM1501-MO	ITEM NO. FDM1501-MO	
	X.±.012(0.30)	X.±5'	CHECKED BY JACOB	DATE 28/JUN/13	TITLE Machined pin D-SUB connector 90° Angle Male		
DESIGN UNITS Inch (metric)	X.X±.008(0.20)	.X'±2'	DRAWN BY CHERRY	DATE 28/JUN/13	THIS DRAWING CONTAINS INFORMATION THAT IS PROPRIETARY TO DONG GUAN LANG LUN(3K-KAMING) ELECTRONIC PRODUCTS CO.,LTD. AND SHOULD NOT BE USED WITHOUT WRITTEN PERMISSION		
SCALE 5:1	SIZE A/L	X.XX±.006(0.15)					
		X.XXX±.004(0.10)					

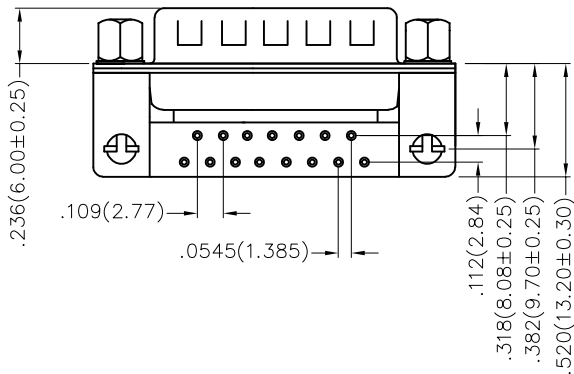
REV	LOCATIONS	DESCRIPTION	DATE	REVISER	APPD



* Notes:
Screws (Part No.: R-6AB-01A)
Salt spray: 48H
Torque force: 6kgf



Recommended P.C. Board Layout



Ordering Information

FDM 15 01 — M0 D B 1 XX XX X E
1 2 3 4 5 6 7 8 9 10 11

Materials And Finish
Shell: Spcc Material, Front Nickel Plated 80μ" Min
Back Shell: SPCC, Tin Plated 100μ" Min
Insulator: Glass Filled Thermoplastic, UL 94V-0
Contact Material: Brass /Gold Plated
Electrical Characteristic
Current Rating: 7.5A
Voltage Rating: 300V
Contact Resistance: 5mΩ Max
Dielectric Withstanding Voltage :1000V AC r.m.s
Insulation Resistance: 5000 MΩ Min.
Temperature Range-Operating: -55°C ~ +105°C

1 Category FDM-Machined pin D-SUB connector	2 Circuits 15	3 Distinction No. 01	4 Type MO-Male	5 Assembly Layout D-DIP	6 Entry Angle B-90° Angle
7 Plating 1-Gold Plated	8 Thickness of Plating 01-1μ" 03-3μ" Custom plate available	9 Color-Resin W1-White K6-Black	10 Packaging K-Tray L-Tube	11 Distinction Type E-E Type	

THIRD ANGLE PROJECTION	GENERAL TOLERANCES (UNLESS SPECIFIED)		APPROVE BY FRANK	DATE 28/JUN/13	PART NO. FDM1501-MODB1XXXXXE	ITEM NO. FDM1501-M0	
	X.±0.12(0.30)	X.±5'	CHECKED BY JACOB	DATE 28/JUN/13	TITLE Machined pin D-SUB connector 90° Angle Male		
DESIGN UNITS Inch (metric)	X.X±.008(0.20)	.X'±2'	DRAWN BY CHERRY	DATE 28/JUN/13	THIS DRAWING CONTAINS INFORMATION THAT IS PROPRIETARY TO DONG GUAN LANG LUN(3K-KAMING) ELECTRONIC PRODUCTS CO., LTD. AND SHOULD NOT BE USED WITHOUT WRITTEN PERMISSION		
SCALE 5:1	SIZE A<	X.XX±.006(0.15)					
		X.XXX±.004(0.10)					