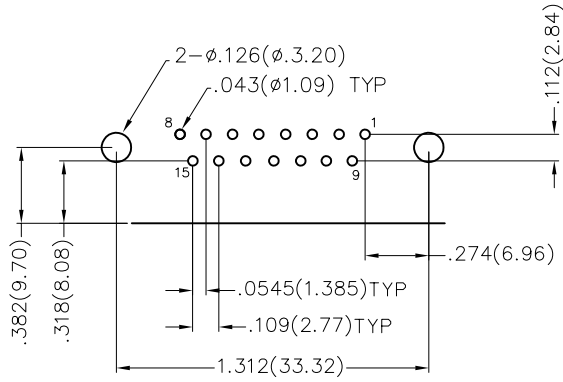
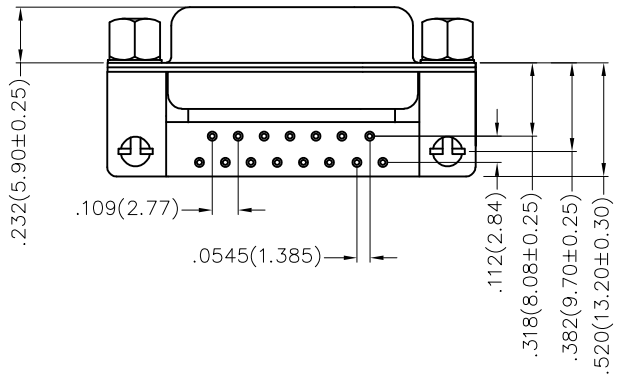
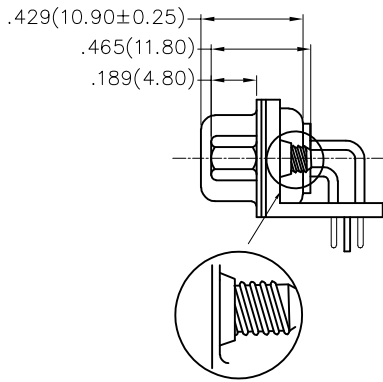
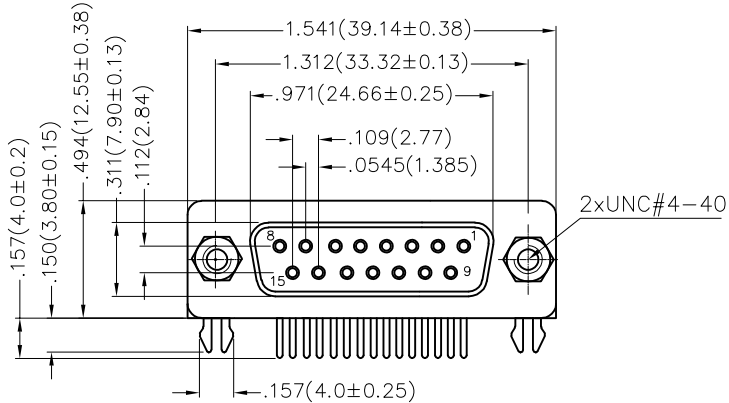


REV	LOCATIONS	DESCRIPTION	DATE	REVISER	APPD



Recommended P.C.Board Layout

Ordering Information

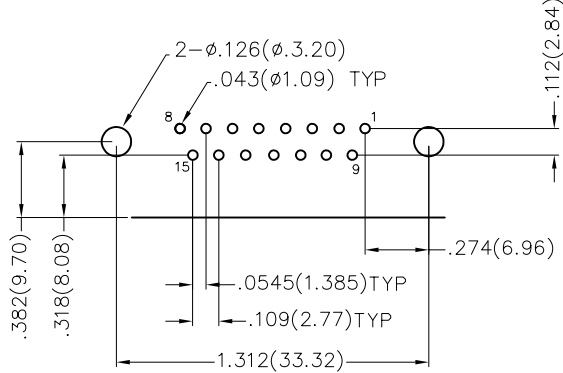
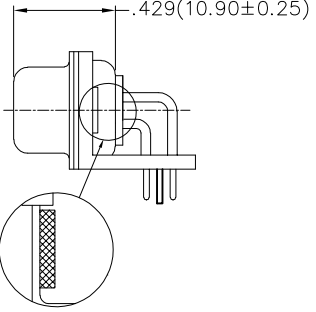
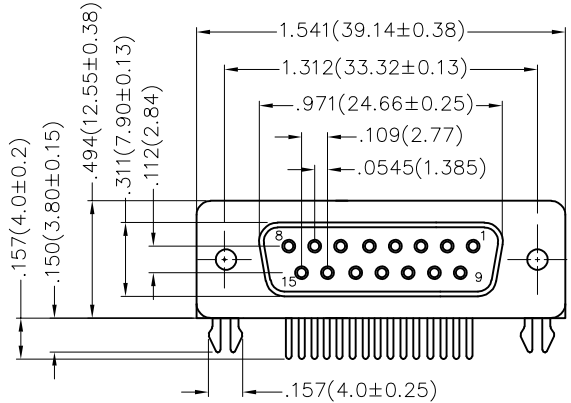
FDM 15 01 — FO D B 1 XX XX X
 1 2 3 4 5 6 7 8 9 10

1 Category FDM—Machined pin D—SUB connector	2 Circuits 15	3 Distinction No. 01	4 Type FO—Female	5 Assembly Layout D—DIP	6 Entry Angle B—90° Angle
7 Plating 1—Gold Plated	8 Thickness of Plating 01—1μ" 03—3μ" Custom plate available	9 Color—Resin W1—White K6—Black	10 Packaging K—Tray L—Tube		

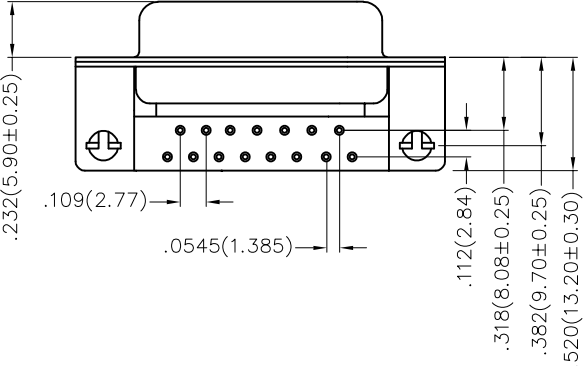
Materials And Finish
 Shell: Spcc Material, Front Nickel Plated 80μ" Min
 Back Shell Tin Plated 100μ" Min
 Insulator: Glass Filled Thermoplastic, UL 94V—0
 Contact Material: Brass /Gold Plated
Electrical Characteristic
 Current Rating: 7.5A
 Voltage Rating: 300V
 Contact Resistance: 5mΩ Max
 Dielectric Withstanding Voltage :1000V AC r.m.s
 Insulation Resistance: 5000 MΩ Min.
 Temperature Range—Operating: —55°C ~ +105°C

 THIRD ANGLE PROJECTION DESIGN UNITS Inch (metric) SCALE 5:1 SIZE A4	GENERAL TOLERANCES (UNLESS SPECIFIED)		APPROVE BY FRANK	DATE 28/JUN/13	PART NO. FDM1501—FODB1XXXXX	ITEM NO. FDM1501—FO	 3K-KAMING REV 0 SHEET NO. 1/1
	X.±.012(0.30)	X.±5'	CHECKED BY JACOB	DATE 28/JUN/13	TITLE Machined pin D—SUB connector 90° Angle Female		
	X.XX±.008(0.20)	.X'±2'	DRAWN BY CHERRY	DATE 28/JUN/13	THIS DRAWING CONTAINS INFORMATION THAT IS PROPRIETARY TO DONG GUAN LANG LUN(3K-KAMING) ELECTRONIC PRODUCTS CO.,LTD. AND SHOULD NOT BE USED WITHOUT WRITTEN PERMISSION		
	X.XX±.006(0.15)	.XX'±1'					
X.XXX±.004(0.10)		.XXX'±0.5'					

REV	LOCATIONS	DESCRIPTION	DATE	REVISER	APPD



Recommended P.C.Board Layout



Ordering Information

FDM 15 01 — FO D B 1 XX XX X B
 1 2 3 4 5 6 7 8 9 10 11

1 Category FDM—Machined pin D—SUB connector	2 Circuits 15	3 Distinction No. 01	4 Type FO—Female	5 Assembly Layout D—DIP	6 Entry Angle B—90° Angle
7 Plating 1—Gold Plated	8 Thickness of Plating 01—1μ" 03—3μ" Custom plate available	9 Color—Resin W1—White K6—Black	10 Packaging K—Tray L—Tube	11 Distinction Type B—B Type	

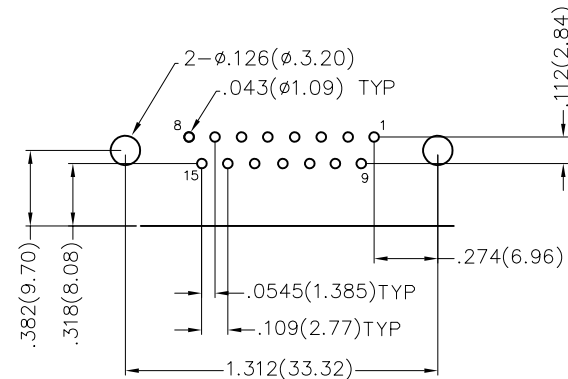
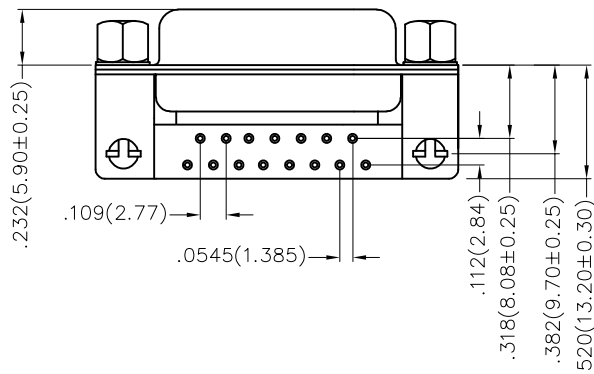
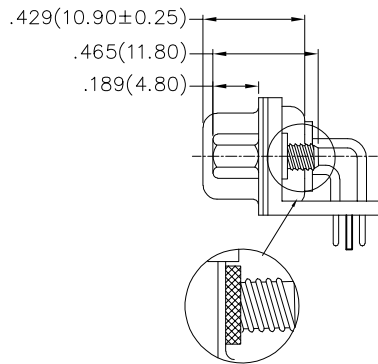
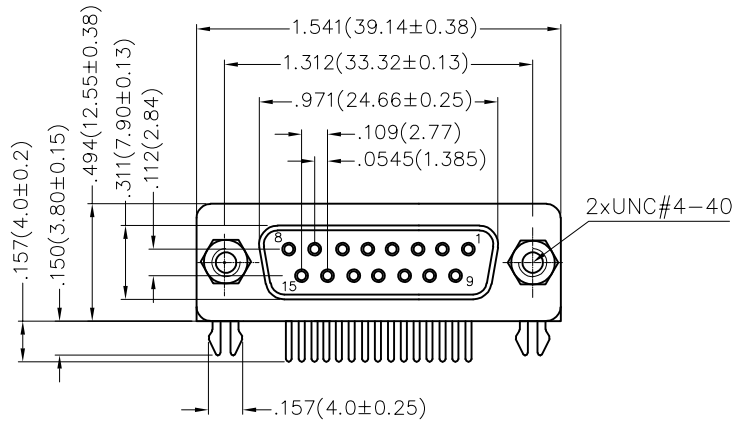
Materials And Finish
 Shell: Spcc Material, Front Nickel Plated 80μ" Min
 Back Shell Tin Plated 100μ" Min
 Insulator: Glass Filled Thermoplastic, UL 94V—0
 Contact Material: Brass /Gold Plated
 Electrical Characteristic
 Current Rating: 7.5A
 Voltage Rating: 300V
 Contact Resistance: 5mΩ Max
 Dielectric Withstanding Voltage :1000V AC r.m.s
 Insulation Resistance: 5000 MΩ Min.
 Temperature Range—Operating: —55°C ~ +105°C

THIRD ANGLE PROJECTION	GENERAL TOLERANCES (UNLESS SPECIFIED)		APPROVE BY FRANK	DATE 28/JUN/13	PART NO. FDM1501—FODB1XXXXXB	ITEM NO. FDM1501—FO	
	X.±.012(0.30)	X.±5'	CHECKED BY JACOB	DATE 28/JUN/13	TITLE Machined pin D—SUB connector 90° Angle Female		
DESIGN UNITS Inch (metric)	X.X±.008(0.20)	.X'±2'	DRAWN BY CHERRY	DATE 28/JUN/13	THIS DRAWING CONTAINS INFORMATION THAT IS PROPRIETARY TO DONG GUAN LANG LUN (3K-KAMING) ELECTRONIC PRODUCTS CO., LTD. AND SHOULD NOT BE USED WITHOUT WRITTEN PERMISSION		
SCALE 5:1	SIZE A4	X.XX±.006(0.15)					
		X.XXX±.004(0.10)					

REV	LOCATIONS	DESCRIPTION	DATE	REVISER	APPD

A
B
C
D
E
F

A
B
C
D
E
F



Recommended P.C.Board Layout

Ordering Information

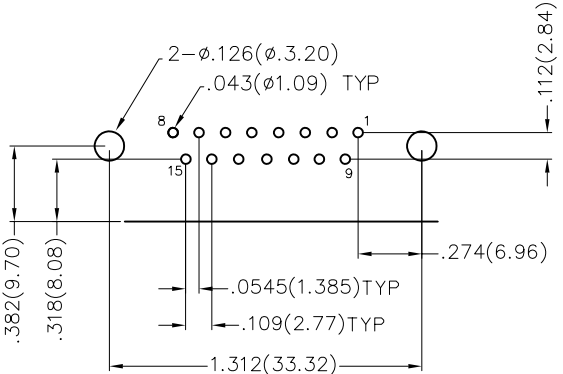
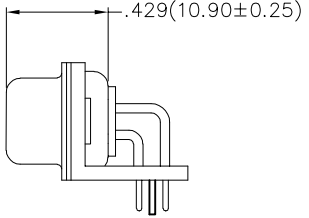
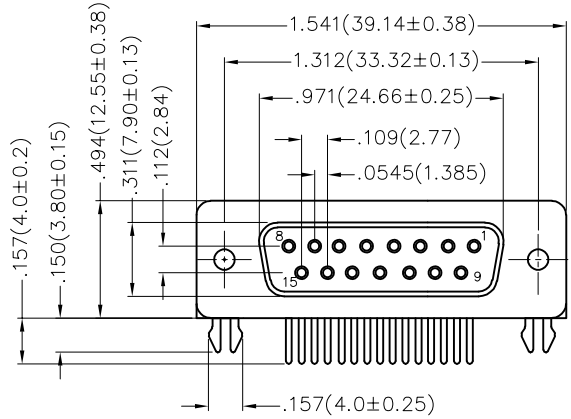
FDM 15 01 — FO D B 1 XX XX X C
1 2 3 4 5 6 7 8 9 10 11

1 Category FDM—Machined pin D—SUB connector	2 Circuits 15	3 Distinction No. 01	4 Type FO—Female	5 Assembly Layout D—DIP	6 Entry Angle B—90° Angle
7 Plating 1—Gold Plated	8 Thickness of Plating 01—1μ" 03—3μ" Custom plate available	9 Color—Resin W1—White K6—Black	10 Packaging K—Tray L—Tube	11 Distinction Type C—C Type	

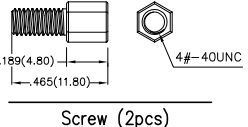
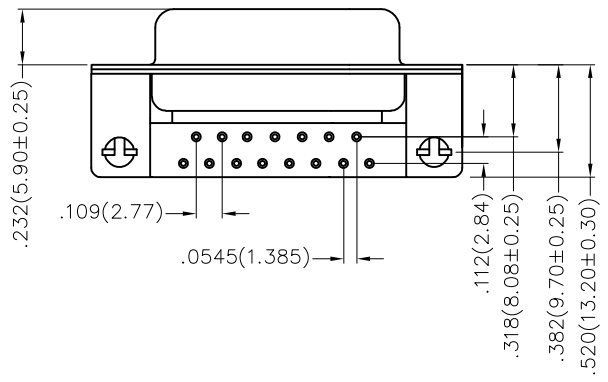
Materials And Finish
 Shell: Spcc Material, Front Nickel Plated 80μ" Min
 Back Shell Tin Plated 100μ" Min
 Insulator: Glass Filled Thermoplastic, UL 94V—0
 Contact Material: Brass /Gold Plated
Electrical Characteristic
 Current Rating: 7.5A
 Voltage Rating: 300V
 Contact Resistance: 5mΩ Max
 Dielectric Withstanding Voltage :1000V AC r.m.s
 Insulation Resistance: 5000 MΩ Min.
 Temperature Range—Operating: —55°C ~ +105°C

THIRD ANGLE PROJECTION	GENERAL TOLERANCES (UNLESS SPECIFIED)		APPROVE BY FRANK	DATE 28/JUN/13	PART NO. FDM1501—F0DB1XXXXXC	ITEM NO. FDM1501—F0	
	X.±.012(0.30)	X.±5'	CHECKED BY JACOB	DATE 28/JUN/13	TITLE Machined pin D—SUB connector 90° Angle Female		
DESIGN UNITS Inch (metric)	X.X±.008(0.20)	.X'±2'	DRAWN BY CHERRY	DATE 28/JUN/13	THIS DRAWING CONTAINS INFORMATION THAT IS PROPRIETARY TO DONG GUAN LANG LUN(3K-KAMING) ELECTRONIC PRODUCTS CO.,LTD. AND SHOULD NOT BE USED WITHOUT WRITTEN PERMISSION		
SCALE 5:1	SIZE A/L	X.XX±.006(0.15)					
		X.XXX±.004(0.10)					

REV	LOCATIONS	DESCRIPTION	DATE	REVISER	APPD



Recommended P.C.Board Layout



Screw (2pcs)

Ordering Information

FDM 15 01 - FO D B 1 XX XX X D
 1 2 3 4 5 6 7 8 9 10 11

1 Category FDM-Machined pin D-SUB connector	2 Circuits 15	3 Distinction No. 01	4 Type FO-Female	5 Assembly Layout D-DIP	6 Entry Angle B-90° Angle
7 Plating 1-Gold Plated	8 Thickness of Plating 01-1μ" 03-3μ" Custom plate available	9 Color-Resin W1-White K6-Black	10 Packaging K-Tray L-Tube	11 Distinction Type D-D Type	

Materials And Finish
 Shell: Spcc Material, Front Nickel Plated 80μ" Min
 Back Shell Tin Plated 100μ" Min
 Insulator: Glass Filled Thermoplastic, UL 94V-0
 Contact Material: Brass /Gold Plated
Electrical Characteristic
 Current Rating: 7.5A
 Voltage Rating: 300V
 Contact Resistance: 5mΩ Max
 Dielectric Withstanding Voltage :1000V AC r.m.s
 Insulation Resistance: 5000 MΩ Min.
 Temperature Range-Operating: -55°C ~ +105°C

THIRD ANGLE PROJECTION	GENERAL TOLERANCES (UNLESS SPECIFIED)		APPROVE BY FRANK	DATE 28/JUN/13	PART NO. FDM1501-F0DB1XXXXXD	ITEM NO. FDM1501-F0		
	X.±.012(0.30)	X.±5'	CHECKED BY JACOB	DATE 28/JUN/13	TITLE Machined pin D-SUB connector 90° Angle Female			
DESIGN UNITS Inch (metric)	X.X±.008(0.20)	.X'±2'	DRAWN BY CHERRY	DATE 28/JUN/13	THIS DRAWING CONTAINS INFORMATION THAT IS PROPRIETARY TO DONG GUAN LANG LUN(3K-KAMING) ELECTRONIC PRODUCTS CO.,LTD. AND SHOULD NOT BE USED WITHOUT WRITTEN PERMISSION		REV 0	SHEET NO. 1/1
SCALE 5:1	SIZE A/L	X.XXX±.004(0.10)	.XXX'±0.5'					