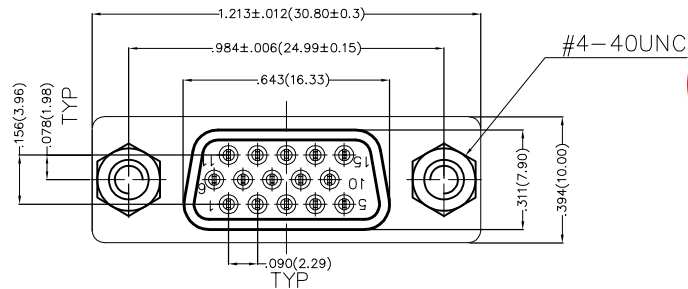
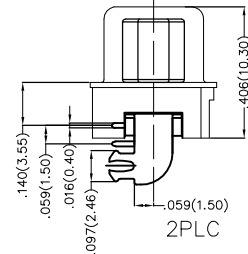
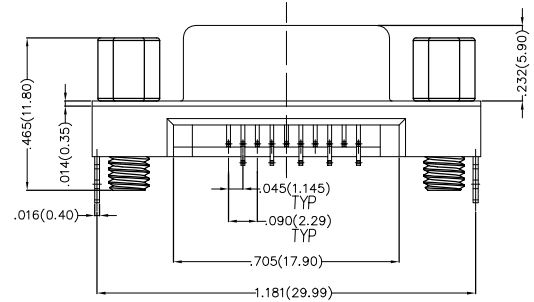


REV	LOCATIONS	DESCRIPTION	DATE	REVISER	APPD



Electrical  
 Current Rating: 3A AC(rms)/DC  
 Voltage Rating: 250V AC(rms)/DC  
 Contact Resistance: 25 mΩ Max  
 Insulation Resistance: 1000 MΩ MIN  
 Withstanding Voltage: 500V AC r.m.s  
 Temperature Range—Operating: -55°C~+105°C

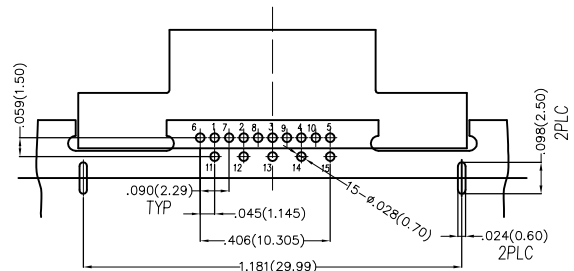
Material and Plating  
 Housing: LCP( UL 94V-0)  
 Contact Pin: Phosphor Bronze  
 Plating: Gold Plated/Selective gold in contact area,tin on tail  
 Screws: Copper alloy/ Nickel plated



Ordering Information

FDB 15 29 - F0 D B X XX XX X A  
 1 2 3 4 5 6 7 8 9 10 11

1   Category FDB-D-SUB Connectors	2   Circuits 15-15Circuits	3   Distinction No. 29	4   Type F0-Female	5   Assembly Layout D-DIP
6   Entry Type B-90° Angle	7   Plating 1-Gold Plated 3-Selective gold in contact area, tin on tail	8   Thickness of Plating 00-Gold Flash 03-3μ Custom plate available	9   Color-Resin K6-Black	10   Packaging L-PE Pipe K-Tray
			11   Type A-A Type	



Recommended P.C.Board Layout  
 D-SUB BOTTOM VIEW

 THIRD ANGLE PROJECTION DESIGN UNITS Inch (metric) SCALE 5:1 SIZE A/L	GENERAL TOLERANCES (UNLESS SPECIFIED)		APPROVE BY FRANK	DATE 25/JUN/13	PART NO. FDB1529-F0DBXXXXXKA	ITEM NO. FDB1529	 3K-KAMING
	X.±.012(0.30)	X.±5°	CHECKED BY JACOB	DATE 25/JUN/13	TITLE D-SUB Connectors 15 Circuits 90° Anglet Female		
	X.XX±.006(0.15)	.XX'±1°	DRAWN BY CHERRY	DATE 25/JUN/13	THIS DRAWING CONTAINS INFORMATION THAT IS PROPRIETARY TO DONG GUAN LANG LUN(3K-KAMING) ELECTRONIC PRODUCTS CO.,LTD. AND SHOULD NOT BE USED WITHOUT WRITTEN PERMISSION		
	X.XXX±.004(0.10)	.XXX'±0.5°					