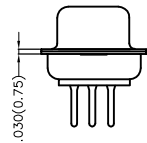
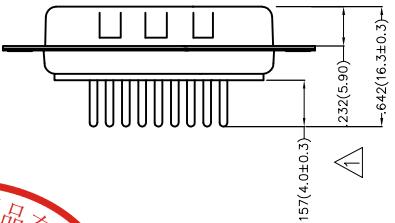
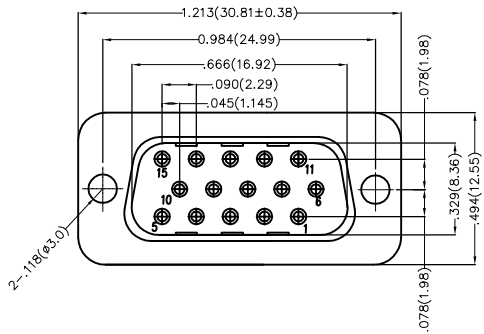
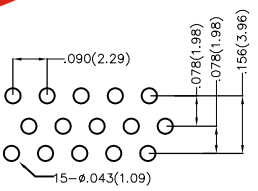


REV	LOCATIONS	DESCRIPTION	DATE	REVISER	APPD
1	△	SIZE CHANGE	2018.10.08	Cherry	Jack



Electrical
 Current Rating: 3A AC(rms)/DC
 Voltage Rating: 250V AC(rms)/DC
 Contact Resistance: 25 mΩ Max
 Insulation Resistance: 1000 MΩ MIN
 Withstanding Voltage: 500V AC r.m.s
 Temperature Range-Operating: -55°C~+105°C
 Material and Plating
 Housing: PBT(UL 94V-0)
 Contact Pin: Phosphor Bronze
 Plating: Selective gold in contact area, tin on tail



Recommended P.C.Board Layout

Ordering Information

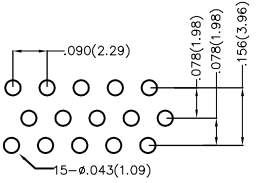
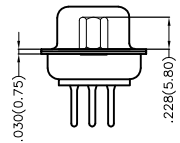
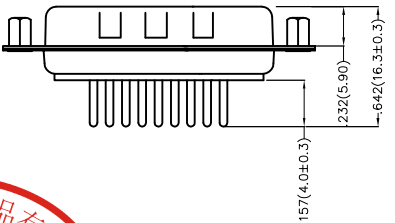
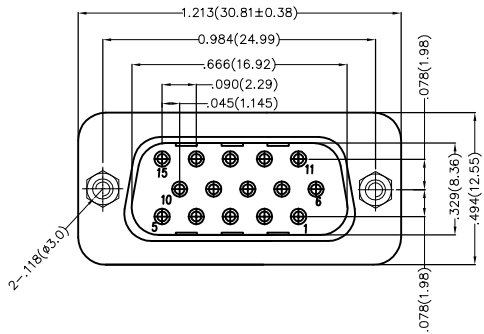
FDB 15 04 - M0 D S X XX XX X A
 1 2 3 4 5 6 7 8 9 10 11

1 Category FDB-D-SUB Connectors	2 Circuits 15-15Circuits	3 Distinction No. 04	4 Type M0-Male	5 Assembly Layout D-DIP	6 Entry Angle S-180° Vertical
7 Plating 3-Selective gold in contact area, tin on tail	8 Thickness of Plating 00-Gold Flash 03-3μ" Custom plate available	9 Color-Resin K6-Black U1-Blue	10 Packaging L-Tube K-Tray	11 Distinction Type A-A Type	

THIRD ANGLE PROJECTION	GENERAL TOLERANCES (UNLESS SPECIFIED)		APPROVE BY FRANK	DATE 28/JUN/13	PART NO. FDB1504-MODSXXXXXXA	ITEM NO. FDB1504	 3K-KAMING	
	DESIGN UNITS Inch (metric)	X.X±.012(0.30) .X'±5"	X.X±5"	CHECKED BY JACOB	DATE 28/JUN/13	TITLE D-SUB Connectors 15 Circuits 180° Vertical Male		
SCALE 5:1	SIZE A/L	X.XX±.006(0.15) .XX'±1"	DRAWN BY CHERRY	DATE 28/JUN/13	THIS DRAWING CONTAINS INFORMATION THAT IS PROPRIETARY TO DONG GUAN LANG LUN(3K-KAMING) ELECTRONIC PRODUCTS CO.,LTD. AND SHOULD NOT BE USED WITHOUT WRITTEN PERMISSION		REV 1	SHEET NO. 1/1

REV	LOCATIONS	DESCRIPTION	DATE	REVISER	APPD
1	△	SIZE CHANGE	2018.10.08	Cherry	Jack

Electrical
 Current Rating: 3A AC(rms)/DC
 Voltage Rating: 250V AC(rms)/DC
 Contact Resistance: 25 mΩ Max
 Insulation Resistance: 1000 MΩ MIN
 Withstanding Voltage: 500V AC r.m.s
 Temperature Range-Operating: -55°C~+105°C
 Material and Plating
 Housing: PBT(UL 94V-0)
 Contact Pin: Phosphor Bronze
 Plating: Selective gold in contact area, tin on tail



Recommended P.C.Board Layout

Ordering Information

FDB 15 04 - M0 D S X XX XX X B
 1 2 3 4 5 6 7 8 9 10 11

1	Category FDB-D-SUB Connectors	2	Circuits 15-15Circuits	3	Distinction No. 04	4	Type M0-Male	5	Assembly Layout D-DIP	6	Entry Angle S-180° Vertical
7	Plating 3-Selective gold in contact area, tin on tail	8	Thickness of Plating 00-Gold Flash 03-3μ" Custom plate available	9	Color-Resin K6-Black U1-Blue	10	Packaging L-Tube K-Tray	11	Distinction Type B-B Type		

THIRD ANGLE PROJECTION	GENERAL TOLERANCES (UNLESS SPECIFIED)		APPROVE BY FRANK	DATE 28/JUN/13	PART NO. FDB1504-MODSXXXXXB	ITEM NO. FDB1504	 3K-KAMING
	DESIGN UNITS Inch (metric)	X.±0.12(0.30) .X.±5°	CHECKED BY JACOB	DATE 28/JUN/13	TITLE D-SUB Connectors 15 Circuits 180° Vertical Male		
SCALE 5:1	SIZE AZ	X.XX±.006(0.15) .XX'±1°	DRAWN BY CHERRY	DATE 28/JUN/13	THIS DRAWING CONTAINS INFORMATION THAT IS PROPRIETARY TO DONG GUAN LANG LUN(3K-KAMING) ELECTRONIC PRODUCTS CO.,LTD. AND SHOULD NOT BE USED WITHOUT WRITTEN PERMISSION		

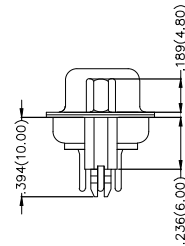
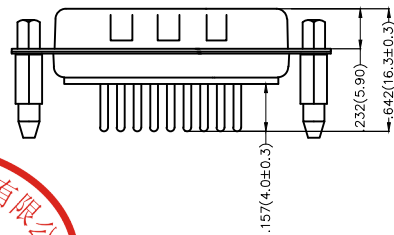
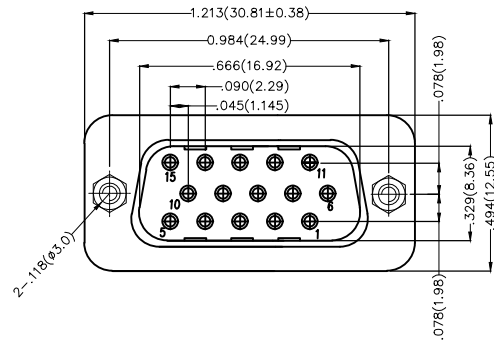
REV	LOCATIONS	DESCRIPTION	DATE	REVISER	APPD
1	△	SIZE CHANGE	2018.10.08	Cherry	Jack

Electrical

Current Rating: 3A AC(rms)/DC
Voltage Rating: 250V AC(rms)/DC
Contact Resistance: 25 mΩ Max
Insulation Resistance: 1000 MΩ MIN
Withstanding Voltage: 500V AC r.m.s
Temperature Range—Operating: -55°C~+105°C

Material and Plating

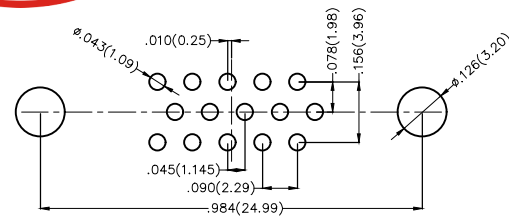
Housing: PBT(UL 94V-0)
Contact Pin: Phosphor Bronze
Plating: Selective gold in contact area, tin on tail



Ordering Information

FDB 15 04 — M0 D S X XX XX X C
1 2 3 4 5 6 7 8 9 10 11

1	Category FDB-D-SUB Connectors	2	Circuits 15-15Circuits	3	Distinction No. 04	4	Type M0-Male	5	Assembly Layout D-DIP	6	Entry Angle S-180° Vertical
7	Plating 3-Selective gold in contact area, tin on tail	8	Thickness of Plating 00-Gold Flash 03-3μ" Custom plate available	9	Color-Resin K6-Black U1-Blue	10	Packaging L-Tube K-Tray	11	Distinction Type C-C Type		

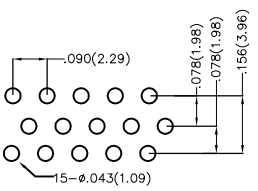
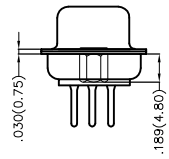
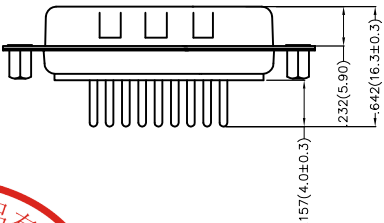
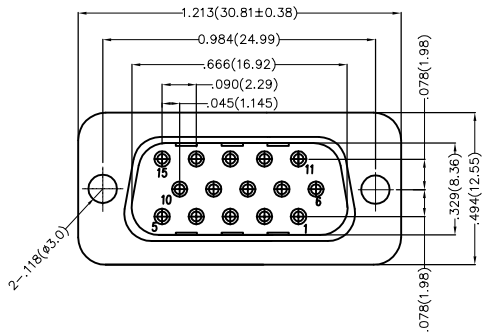


Recommended P.C.Board Layout

THIRD ANGLE PROJECTION	GENERAL TOLERANCES (UNLESS SPECIFIED)		APPROVE BY FRANK	DATE 28/JUN/13	PART NO. FDB1504-M0DSXXXXXXC	ITEM NO. FDB1504		
	DESIGN UNITS Inch (metric)	X.±.012(0.30) X.X±.008(0.20) X.XX±.006(0.15) X.XXX±.004(0.10)	X'±5' 'X'±2' 'XX'±1' 'XXX'±0.5'	CHECKED BY JACOB	DATE 28/JUN/13	TITLE D-SUB Connectors 15 Circuits 180° Vertical Male		REV 0
SCALE 5:1	SIZE A4	DRAWN BY CHERRY		DATE 28/JUN/13	THIS DRAWING CONTAINS INFORMATION THAT IS PROPRIETARY TO DONG GUAN LANG LUN(3K-KAMING) ELECTRONIC PRODUCTS CO.,LTD. AND SHOULD NOT BE USED WITHOUT WRITTEN PERMISSION			

REV	LOCATIONS	DESCRIPTION	DATE	REVISER	APPD
1	△	SIZE CHANGE	2018.10.08	Cherry	Jack

Electrical
 Current Rating: 3A AC(rms)/DC
 Voltage Rating: 250V AC(rms)/DC
 Contact Resistance: 25 mΩ Max
 Insulation Resistance: 1000 MΩ MIN
 Withstanding Voltage: 500V AC r.m.s
 Temperature Range-Operating: -55°C~+105°C
 Material and Plating
 Housing: PBT(UL 94V-0)
 Contact Pin: Phosphor Bronze
 Plating: Selective gold in contact area, tin on tail



Recommended P.C.Board Layout

Ordering Information

FDB 15 04 — M0 D S X XX XX X D
 1 2 3 4 5 6 7 8 9 10 11

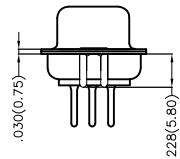
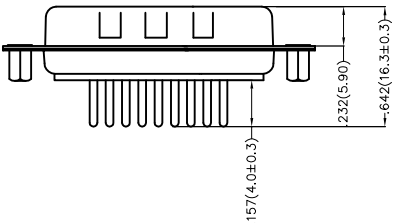
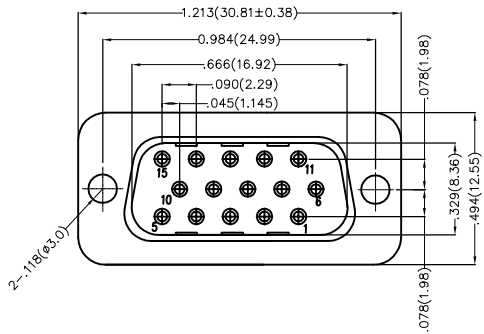
1 Category FDB-D-SUB Connectors	2 Circuits 15-15Circuits	3 Distinction No. 04	4 Type M0-Male	5 Assembly Layout D-DIP	6 Entry Angle S-180° Vertical
7 Plating 3-Selective gold in contact area, tin on tail	8 Thickness of Plating 00-Gold Flash 03-3μ" Custom plate available	9 Color-Resin K6-Black U1-Blue	10 Packaging L-Tube K-Tray	11 Distinction Type D-D Type	

THIRD ANGLE PROJECTION	GENERAL TOLERANCES (UNLESS SPECIFIED)		APPROVE BY FRANK	DATE 28/JUN/13	PART NO. FDB1504-MODSXXXXXD	ITEM NO. FDB1504		
	DESIGN UNITS Inch (metric)	X.±.012(0.30) .X.±5'	X.±5'	CHECKED BY JACOB	DATE 28/JUN/13	TITLE D-SUB Connectors 15 Circuits 180° Vertical Male		REV 0
SCALE 5:1	SIZE A/L	X.XX±.006(0.15) .XX'±1"	XX'±1"	DRAWN BY CHERRY	DATE 28/JUN/13	THIS DRAWING CONTAINS INFORMATION THAT IS PROPRIETARY TO DONG GUAN LANG LUN(3K-KAMING) ELECTRONIC PRODUCTS CO.,LTD. AND SHOULD NOT BE USED WITHOUT WRITTEN PERMISSION		

REV	LOCATIONS	DESCRIPTION	DATE	REVISER	APPD
1	△	SIZE CHANGE	2018.10.08	Cherry	Jack

Electrical

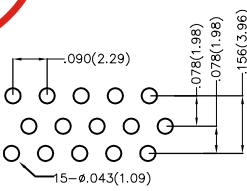
Current Rating: 3A AC(rms)/DC
Voltage Rating: 250V AC(rms)/DC
Contact Resistance: 25 mΩ Max
Insulation Resistance: 1000 MΩ MIN
Withstanding Voltage: 500V AC r.m.s
Temperature Range-Operating: -55°C~+105°C
Material and Plating
Housing: PBT(UL 94V-0)
Contact Pin: Phosphor Bronze
Plating: Selective gold in contact area, tin on tail



Ordering Information

FDB 15 04 - M0 D S X XX XX X E
1 2 3 4 5 6 7 8 9 10 11

1	Category FDB-D-SUB Connectors	2	Circuits 15-15Circuits	3	Distinction No. 04	4	Type M0-Male	5	Assembly Layout D-DIP	6	Entry Angle S-180° Vertical
7	Plating 3-Selective gold in contact area, tin on tail	8	Thickness of Plating 00-Gold Flash 03-3μ" Custom plate available	9	Color-Resin K6-Black U1-Blue	10	Packaging L-Tube K-Tray	11	Distinction Type E-E Type		



Recommended P.C.Board Layout

 THIRD ANGLE PROJECTION DESIGN UNITS Inch (metric) SCALE 5:1 SIZE AL	GENERAL TOLERANCES (UNLESS SPECIFIED)		APPROVE BY FRANK	DATE 28/JUN/13	PART NO. FDB1504-M0DSXXXXXXE	ITEM NO. FDB1504	 3K-KAMING REV 0 SHEET NO. 1/1
	X.±.012(0.30)	X.±5°	CHECKED BY JACOB	DATE 28/JUN/13	TITLE D-SUB Connectors 15 Circuits 180° Vertical Male		
	X.XX±.008(0.20)	.X'±2'	DRAWN BY CHERRY	DATE 28/JUN/13	THIS DRAWING CONTAINS INFORMATION THAT IS PROPRIETARY TO DONG GUAN LANG LUN(3K-KAMING) ELECTRONIC PRODUCTS CO.,LTD. AND SHOULD NOT BE USED WITHOUT WRITTEN PERMISSION		
	X.XX±.006(0.15)	.XX'±1'					
X.XXX±.004(0.10)		.XXX'±0.5°					