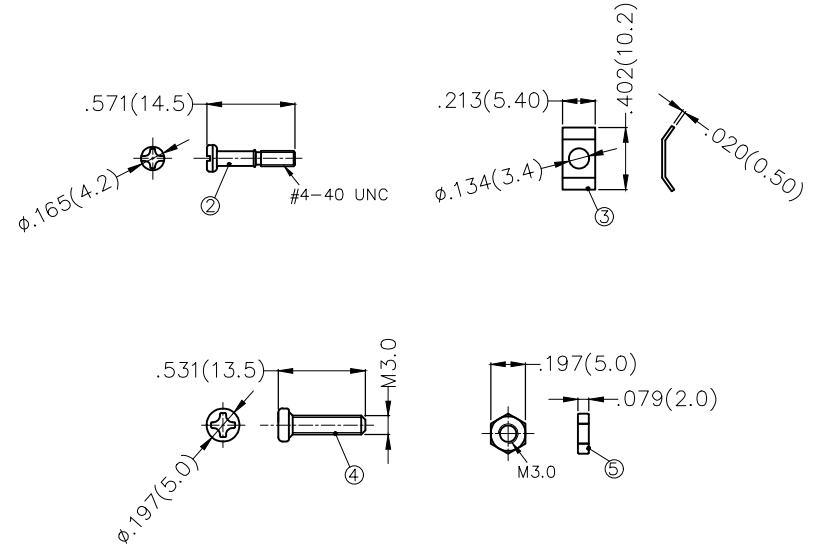
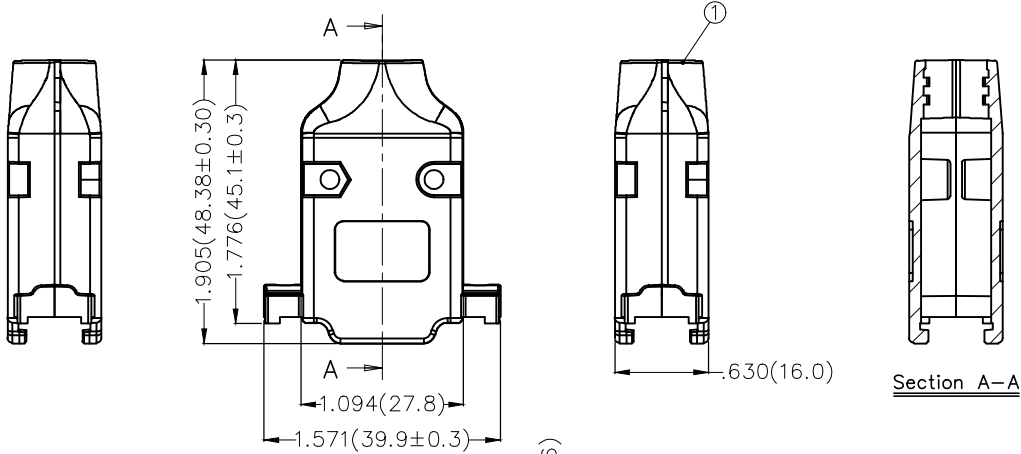
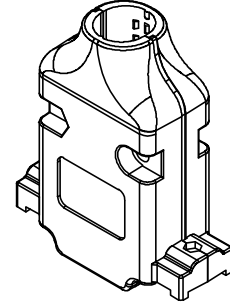
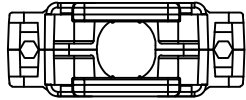


REV	LOCATIONS	DESCRIPTION	DATE	REVISED	APPD



BOM LIST			
Item	Part name	Q'ty	Notes
①	Metal hood	2	Zinc alloy/ Ni plated
②	Screw	2	#4-40 UNC, Steel/ Ni plated
③	Metal Spacer	2	Steel/ Ni plated
④	Screw for hood	2	M3.0, Steel/ Ni plated
⑤	Nut for hood	2	M3.0, Steel/ Ni plated

 THIRD ANGLE PROJECTION	GENERAL TOLERANCES (UNLESS SPECIFIED)		APPROVE BY	DATE	PART NO.	ITEM NO.	 3K-KAMING
	X.±.012(0.30)	X.±5'	FRANK	17/OCT/19	FDB1502-C200B	FDB1502-C	
	X.X±.008(0.20)	.X±2'	CHECKED BY	DATE	TITLE		
	X.XX±.006(0.15)	.XX±1'	CHERRY	17/OCT/19	D-SUB Connectors 15 Circuits Cover		
SCALE	SIZE	X.XXX±.004(0.10)	.XXX±0.5'	DRAWN BY	DATE	THIS DRAWING CONTAINS INFORMATION THAT IS PROPRIETARY TO DONG GUAN LANG LUN(3K-KAMING) ELECTRONIC PRODUCTS CO.,LTD. AND SHOULD NOT BE USED WITHOUT WRITTEN PERMISSION	
5:1	A4			KATE	17/OCT/19	REV 0	SHEET NO. 1/1