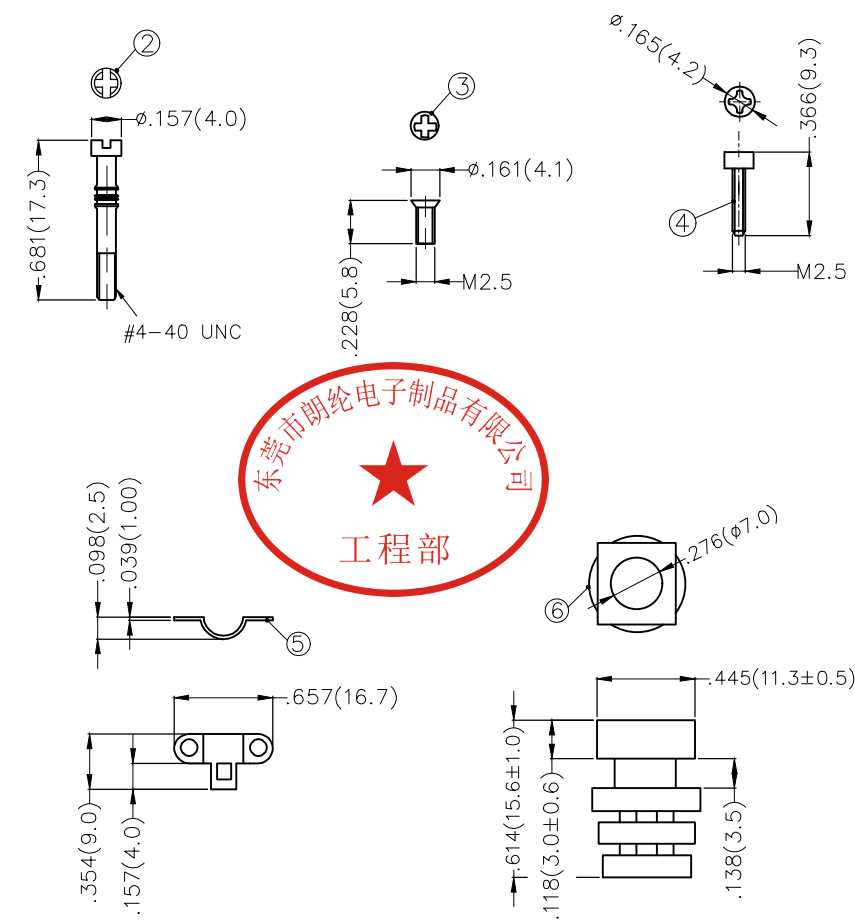
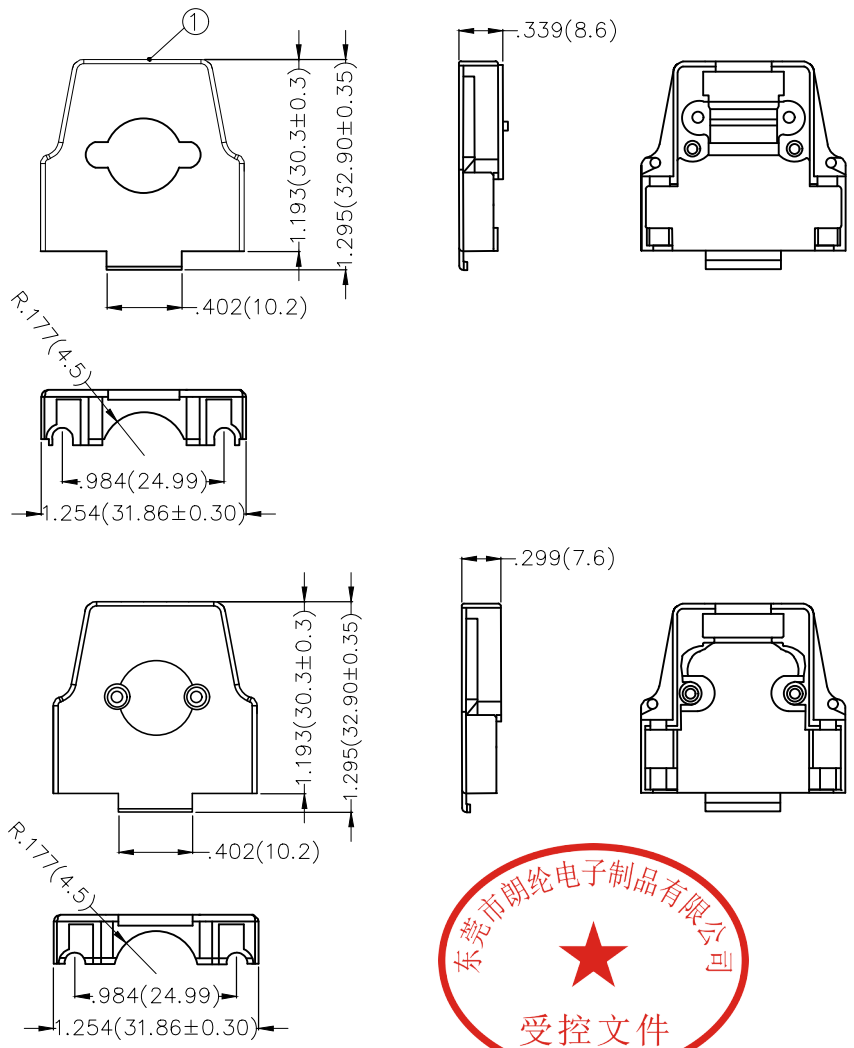


REV	LOCATIONS	DESCRIPTION	DATE	REVISER	APPD



BOM LIST			
Item	Part name	Q'ty	Notes
①	Metal hood	2	Zinc alloy/ Ni plated
②	Screw	2	#4-40 UNC, Steel/ Ni plated
③	Screw for hood	2	M2.5, Steel/ Ni plated
④	Screw for clamp	2	M2.5, Steel/ Ni plated
⑤	Cable clamp	1	Zinc alloy/ Ni plated
⑥	SR	1	PVC, White

 THIRD ANGLE PROJECTION	GENERAL TOLERANCES (UNLESS SPECIFIED)		APPROVE BY FRANK	DATE 15/NOV/19	PART NO. FDB0904-C200B	ITEM NO. FDB0904-C	 3K-KAMING
	DESIGN UNITS Inch (metric)	X.X±.012(0.30) X.X±.008(0.20) X.XX±.006(0.15) X.XXX±.004(0.10)	X'±5' X'±2' .XX'±1' .XXX'±0.5'	CHECKED BY CHERRY	DATE 15/NOV/19	TITLE D-SUB Connectors 9 Circuits Cover	
SCALE 5:1	SIZE A4		DRAWN BY ZOEY	DATE 15/NOV/19	THIS DRAWING CONTAINS INFORMATION THAT IS PROPRIETARY TO DONG GUAN LANG LUN(3K-KAMING) ELECTRONIC PRODUCTS CO., LTD. AND SHOULD NOT BE USED WITHOUT WRITTEN PERMISSION		REV 0 SHEET NO. 1/1