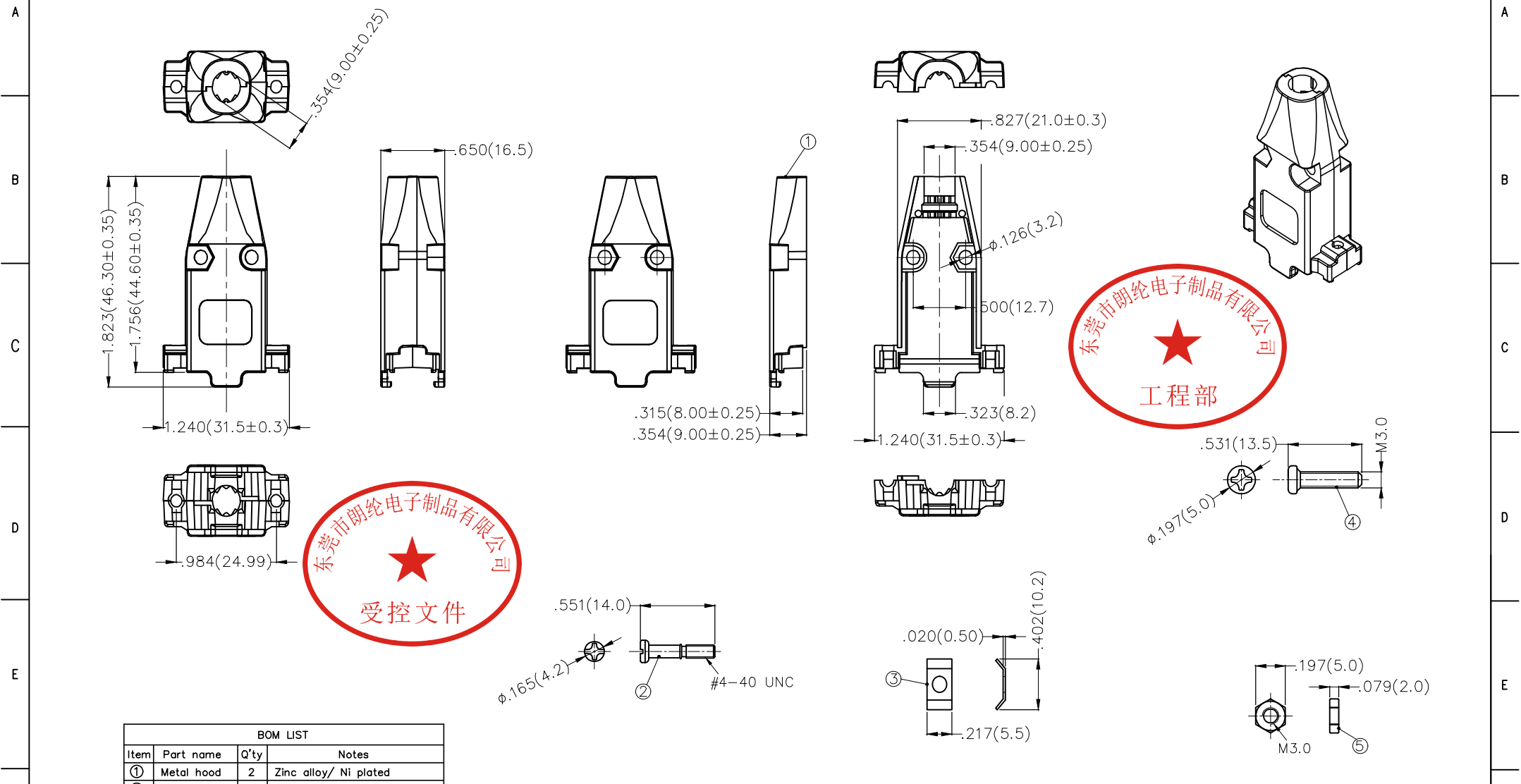


REV	LOCATIONS	DESCRIPTION	DATE	REVISER	APPD



BOM LIST			
Item	Part name	Q'ty	Notes
①	Metal hood	2	Zinc alloy/ Ni plated
②	Screw	2	#4-40 UNC, Steel/ Ni plated
③	Metal Spacer	2	Steel/ Ni plated
④	Screw	2	M3.0, Steel/ Ni plated
⑤	Nut	2	M3.0, Steel/ Ni plated

 THIRD ANGLE PROJECTION	GENERAL TOLERANCES (UNLESS SPECIFIED)		APPROVE BY	DATE	PART NO.	ITEM NO.	 3K-KAMING
	X.±.012(0.30)	X'.±5'	FRANK	10/OCT/19	FDB0901-C200B	FDB0901-C	
	X.X±.008(0.20)	.X'±2'	CHECKED BY	DATE	TITLE		
	X.XX±.006(0.15)	.XX'±1'	CHERRY	10/OCT/19	D-SUB Connectors 9 Circuits Cover		
SCALE	SIZE	X.XXX±.004(0.10)	.XXX'±0.5'	DRAWN BY	DATE	THIS DRAWING CONTAINS INFORMATION THAT IS PROPRIETARY TO DONG GUAN LANG LUN(3K-KAMING) ELECTRONIC PRODUCTS CO., LTD. AND SHOULD NOT BE USED WITHOUT WRITTEN PERMISSION	
5:1	A4			KATE	10/OCT/19	REV 0	SHEET NO. 1/1