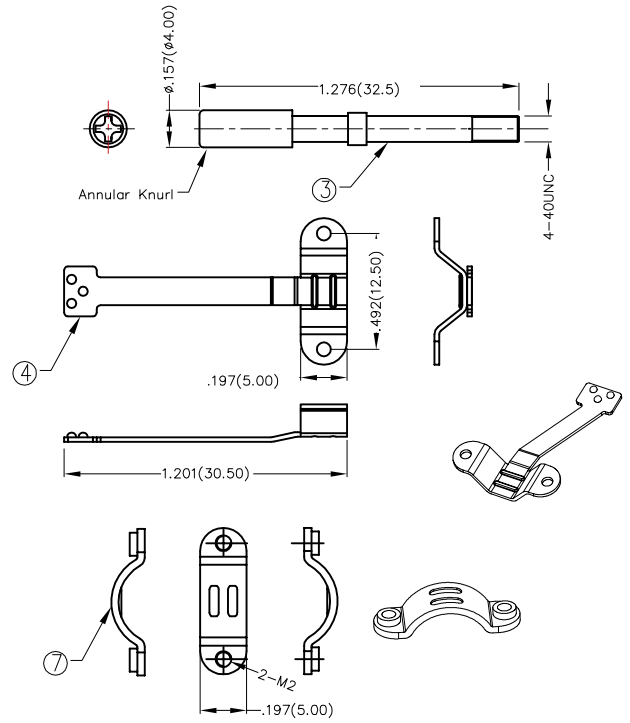
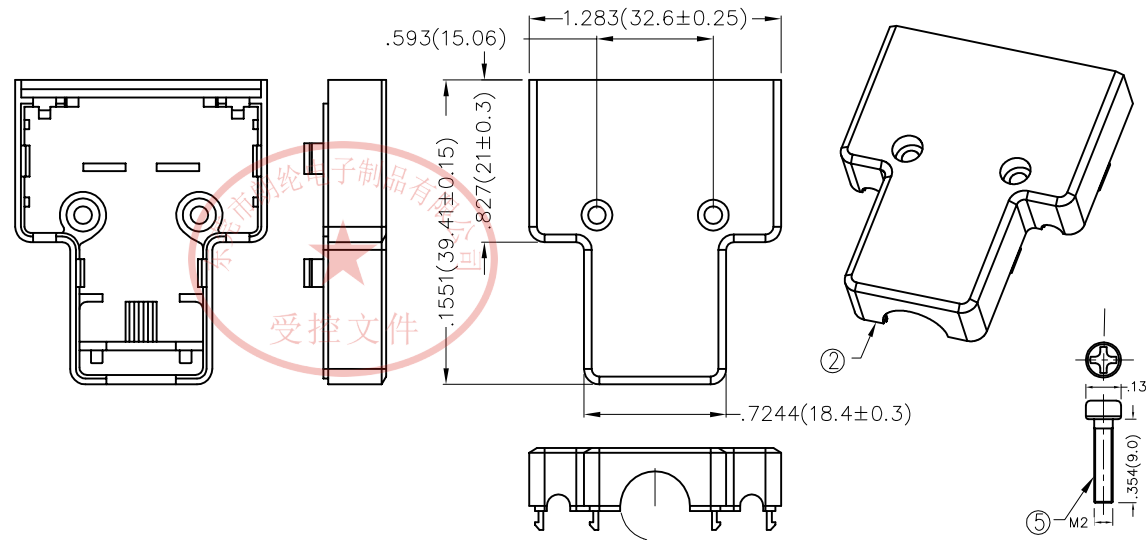
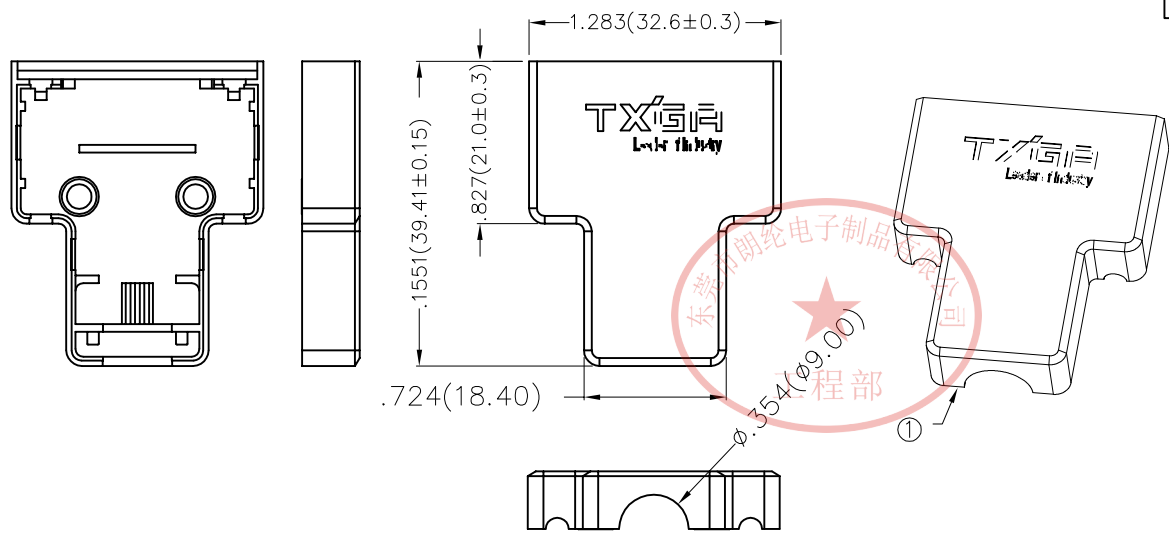


A  
B  
C  
D  
E  
F

1 2 3 4 5 6 7 8

REV	LOCATIONS	DESCRIPTION	DATE	REVISER	APPD

No.	Specification	Q'TY
1	ABS+PC,94V-0,Black	1
2	ABS+PC,94V-0,Black	1
3	Screw: 4-UNC,L=32.5,Steel,Plated Nickel	2
4	Ground Strip: 4-UNC,L=30.5,Copper,Tinned Plated	1
5	Screw: M2*9, steel,Black	2
6	Screw: M2*6,steel,Plated Nickel	2
7	Cable Clip: Steel,Plated Nickel	1



 THIRD ANGLE PROJECTION	GENERAL TOLERANCES (UNLESS SPECIFIED)		APPROVE BY	DATE	PART NO.	ITEM NO.	 3K-KAMING	
	X.±.020(0.50)	X.±5'	FRANK	29/DEC/14	FDB09-K6B00	FDB09-K6B00		
	DESIGN UNITS Inch (metric)	X.X±.012(0.30)	.X'±2'	CHECKED BY	DATE	TITLE		
	SCALE 1:1	X.XX±.004(0.10)	.XX'±1'	JACOB	29/DEC/14	D-SUB COVER		
SIZE A4			DRAWN BY	DATE	THIS DRAWING CONTAINS INFORMATION THAT IS PROPRIETARY TO DONG GUAN LANG LUN(3K-KAMING) ELECTRONIC PRODUCTS CO.,LTD. AND SHOULD NOT BE USED WITHOUT WRITTEN PERMISSION		REV 0	SHEET NO. 1/1
			CHERRY	29/DEC/14				

1 2 3 4 5 6 7 8