

REV	LOCATIONS	DESCRIPTION	DATE	REVISER	APPD
1	△	Size change	23/Mar/20	KATE	CHERRY



1. Electrical Characteristic

1.1 Current Rating

Power Contacts: 10 to 40A

1.2 Voltage Rating: 300V

1.3 Contact Resistance: 5 Milliohms Max

1.4 Insulation Resistance: 5000 Megaohms Min.

1.5 Dielectric Withstanding Voltage : 1000V AC r.m.s Min

2. Materials And Finish

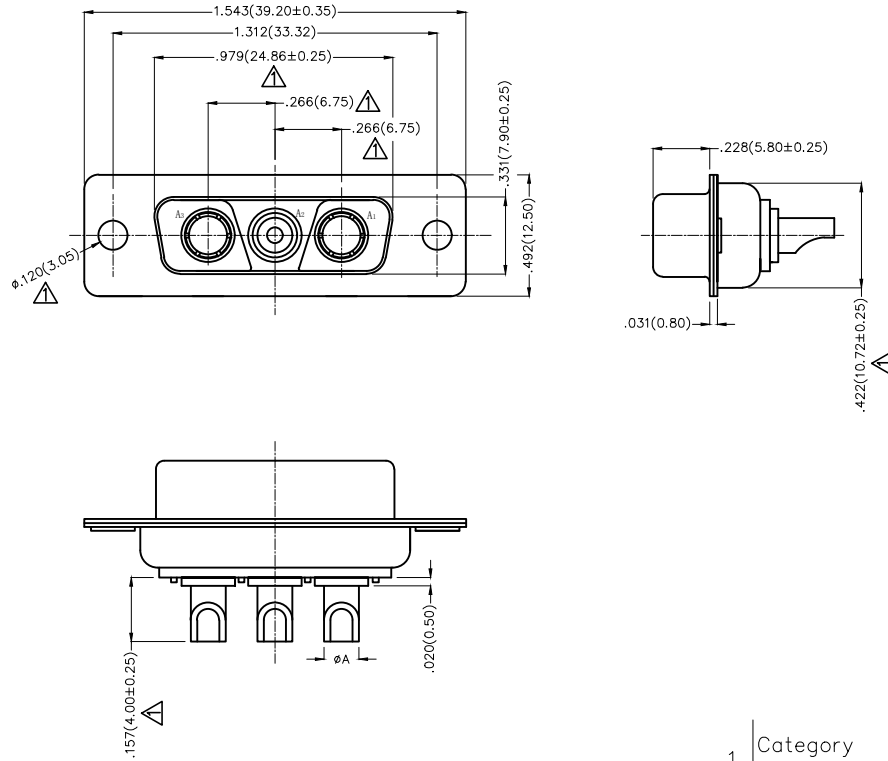
2.1 Shell: Steel Material, Front Nickel Plated 80u" Min

Back Shell Tin Plated 100u" Min

2.2 Insulator: Glass Filled Thermoplastic, UL 94V-0 , Colour: Black

2.3 Power Contacts: Bronze /Gold Plated 3u"~30u"

3. Temperature Range-Operating: -55°C ~ +105°C



Type	Part NO.	A	Wire	Current Rating(A)
A	FDV0312-FOWS1XXK6XA	φ.098(2.50)	14#~16#	10
B	FDV0312-FOWS1XXK6XB	φ.142(3.60)	10#~12#	20
C	FDV0312-FOWS1XXK6XC	φ.173(4.40)	8#~10#	30
D	FDV0312-FOWS1XXK6XD	φ.217(5.50)	6#~8#	40

Ordering Information

FDV 03 12 - F0 W S 1 XX K6 X X
 1 2 3 4 5 6 7 8 9 10 11

1 Category FDV-Power Type D-SUB Connectors	2 Circuits 03-3Circuits	3 Distinction No. 12	4 Type F0-Female	5 Assembly Layout W-Welding Type	6 Entry Angle S-180° Vertical
7 Plating 1-Gold Plated	8 Thickness of Plating 01-1μ" 15-15μ".... Custom plate available	9 Color-Resin K6-Black	10 Packaging L-PE Pipe K-Tray	11 Distinction Type A-Type A C-Type C B-Type B D-Type D	



THIRD ANGLE PROJECTION	GENERAL TOLERANCES (UNLESS SPECIFIED)		APPROVE BY FRANK	DATE 19/JUL/13	PART NO. FDV0312-FOWS1XXK6XX	ITEM NO. FDV0312-F	 3K-KAMING
	DESIGN UNITS Inch (metric)	X.±.012(0.30) X.X±.008(0.20) X.XX±.006(0.15) X.XXX±.004(0.10)	X.±5' X.±2' .XX±1' .XXX±0.5'	CHECKED BY CHERRY	DATE 19/JUL/13	TITLE POWER MACHINED CONTACT FEMALE 3V3 CONN	
SCALE 5:1	SIZE A4		DRAWN BY JACOB	DATE 19/JUL/13	THIS DRAWING CONTAINS INFORMATION THAT IS PROPRIETARY TO DONG GUAN LANG LUN(3K-KAMING) ELECTRONIC PRODUCTS CO.,LTD. AND SHOULD NOT BE USED WITHOUT WRITTEN PERMISSON		