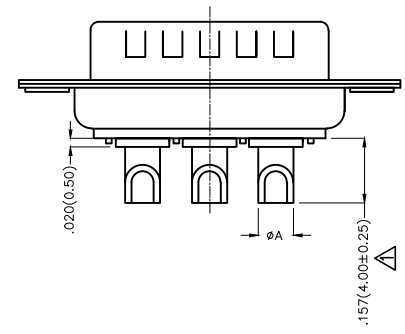
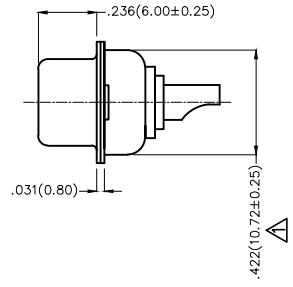
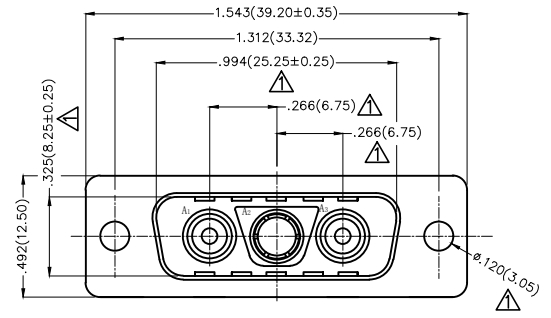


REV	LOCATIONS	DESCRIPTION	DATE	REVISER	APPD
1	△	Size change	23/Mar/20	KATE	CHERRY



- Electrical Characteristic
 - Current Rating
 - Power Contacts: 10 to 40A
 - Voltage Rating: 300V
 - Contact Resistance: 5Milliohms Max
 - Insulation Resistance: 5000 Megaohms Min.
 - Dielectric Withstanding Voltage : 1000V AC r.m.s Min

- Materials And Finish
 - Shell: Steel Material, Front Nickel Plated 80u" Min
Back Shell Tin Plated 100u" Min
 - Insulator: Glass Filled Thermoplastic, UL 94V-0 ,Colour: Black
 - Power Contacts: Brass/Gold Plated 3u"~30u"
- Temperature Range-Operating: -55°C ~ +105°C

Type	Part NO.	A	Wire	Current Rating(A)
A	FDV0312-MOWS1XXK6XA	φ.098(2.50)	14#~16#	10
B	FDV0312-MOWS1XXK6XB	φ.142(3.60)	10#~12#	20
C	FDV0312-MOWS1XXK6XC	φ.173(4.40)	8#~10#	30
D	FDV0312-MOWS1XXK6XD	φ.217(5.50)	6#~8#	40

Ordering Information

FDV 03 12 — MO W S 1 XX K6 X X
 1 2 3 4 5 6 7 8 9 10 11

1 Category FDV—Power Type D—SUB Connectors	2 Circuits 03—3Circuits	3 Distinction No. 12	4 Type MO—Male	5 Assembly Layout W—Welding Type	6 Entry Angle S—180° Vertical
7 Plating 1—Gold Plated	8 Thickness of Plating 01—1μ" 15—15μ".... Custom plate available	9 Color—Resin K6—Black	10 Packaging L—PE Pipe K—Tray	11 Distinction Type A—Type A C—Type C B—Type B D—Type D	



THIRD ANGLE PROJECTION	GENERAL TOLERANCES (UNLESS SPECIFIED)		APPROVE BY FRANK	DATE 19/JUL/13	PART NO. FDV0312-MOWS1XXK6XX	ITEM NO. FDV0312-M		
	DESIGN UNITS Inch (metric)	X.±.012(0.30) X.X±.008(0.20) X.XX±.006(0.15) X.XXX±.004(0.10)	X.'±5' .X'±2' .XX'±1' .XXX'±0.5'	CHECKED BY CHERRY	DATE 19/JUL/13	TITLE POWER MACHINED CONTACT MALE 3V3 CONN		REV 1
SCALE 5:1	SIZE A4	DRAWN BY JACOB		DATE 19/JUL/13	THIS DRAWING CONTAINS INFORMATION THAT IS PROPRIETARY TO DONG GUAN LANG LUN(3K-KAMING) ELECTRONIC PRODUCTS CO., LTD. AND SHOULD NOT BE USED WITHOUT WRITTEN PERMISSION			