

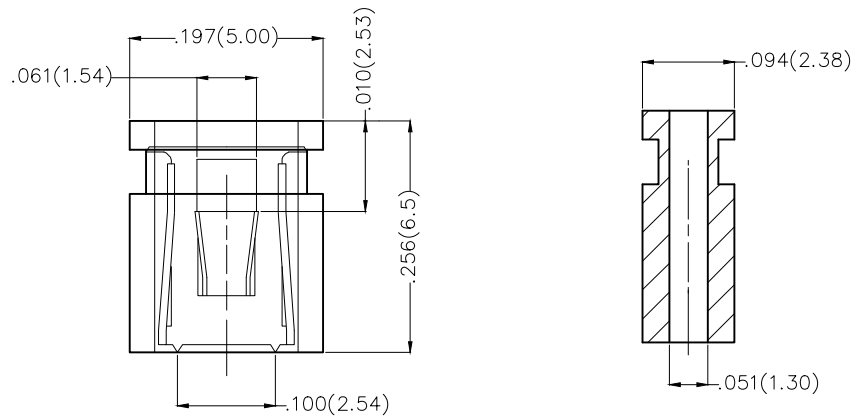
REV	LOCATIONS	DESCRIPTION	DATE	REVISER	APPD

Specifications

Current Rating: 3 Ampere
 Insulation Resistance: 1000M ΩMin.
 Withstanding Voltage: 1000V AC
 Contact Resistance: 20m ΩMax.
 Temperature Range—Operating: -40°C to +105°C

Materials

Housing: PBT UL 94V-0
 Terminal: Copper Alloy



 THIRD ANGLE PROJECTION	GENERAL TOLERANCES (UNLESS SPECIFIED)		APPROVE BY FRANK	DATE 26/JUN/13	PART NO. FR-1YF-02	ITEM NO. FR-1YF	 3K-KAMING®	
	DESIGN UNITS Inch (metric)	X.±.012(0.30) X.X±.008(0.20)	X.±5' .X±2'	CHECKED BY JACOB	DATE 26/JUN/13	TITLE .100'(2.54mm) PITCH Conn (Close)		REV 0
SCALE 5:1	SIZE A4	X.XX±.006(0.15) X.XXX±.004(0.10)	.XX±1' .XXX±0.5'	DRAWN BY CHERRY	DATE 26/JUN/13	THIS DRAWING CONTAINS INFORMATION THAT IS PROPRIETARY TO DONG GUAN LANG LUN(3K-KAMING) ELECTRONIC PRODUCTS CO.,LTD. AND SHOULD NOT BE USED WITHOUT WRITTEN PERMISSION		