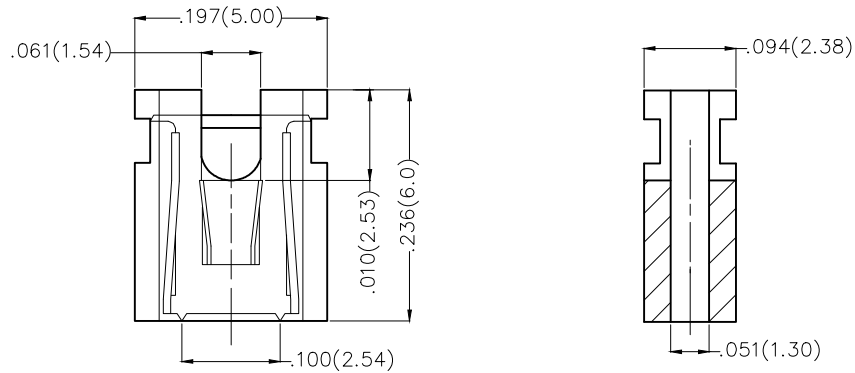


REV	LOCATIONS	DESCRIPTION	DATE	REVISER	APPD

Specifications

Current Rating: 3 Ampere
 Insulation Resistance: 1000M Ω Min.
 Withstanding Voltage: 1000V AC
 Contact Resistance: 20m Ω Max.
 Temperature Range—Operating: -40°C to +105°C
Materials
 Housing: PBT UL 94V-0
 Terminal: Copper Alloy



 THIRD ANGLE PROJECTION	GENERAL TOLERANCES (UNLESS SPECIFIED)		APPROVE BY	DATE	PART NO.	ITEM NO.	 3K-KAMING®
	X.±.012(0.30)	X.±5'	FRANK	26/JUN/13	FR-1YF-01	FR-1YF	
DESIGN UNITS Inch (metric)	X.XX±.008(0.20)	.X'±2"	CHECKED BY	DATE	TITLE		REV 0
SCALE	X.XX±.006(0.15)	.XX'±1"	JACOB	26/JUN/13	.100' (2.54mm) PITCH Conn (Open)		
5:1	X.XXX±.004(0.10)	.XXX'±0.5'	DRAWN BY	DATE	THIS DRAWING CONTAINS INFORMATION THAT IS PROPRIETARY TO DONG GUAN LANG LUN(3K-KAMING) ELECTRONIC PRODUCTS CO., LTD. AND SHOULD NOT BE USED WITHOUT WRITTEN PERMISSION		
A4			CHERRY	26/JUN/13			