

REV	LOCATIONS	DESCRIPTION	DATE	REVISER	APPD



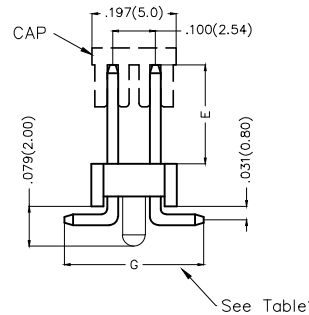
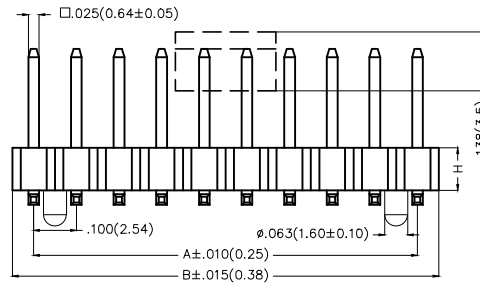
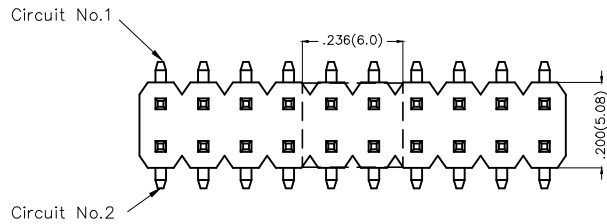
SPECIFICATIONS

Electrical

Current Rating: 3.0A AC(rms)/DC
Voltage Rating: 250V AC(rms)/DC
Contact Resistance: 20 mΩ Max
Insulation Resistance: 1000 MΩ Min
Withstanding Voltage: 600V AC r.m.s
Temperature Range—Operating: -40°C~+105°C

Material

Housing: Glass Filled Polyester (UL 94V-0), Color: Black
Pin: Brass
Pin Plating: Gold plated/ Selective gold plated on contact area and 120μ" Min. matte tin plated on tails area

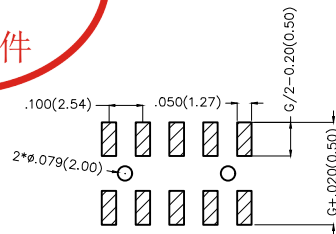


See Table1

Ordering Information

FPH 254 72 - D XX S X XX X XX XX X 0 M
1 2 3 4 5 6 7 8 9 10 11 12 13

1 Category FPH—Pin Header	2 Series Number 254—Pitch2.54mm	3 Distinction No. 72	4 Row Option D—Double Row	5 Circuits XX	6 Entry Angle S—180° Vertical	7 Plating 1—Gold plated 7—Selective gold plated on contact area and matte tin plated on tails area
8 Thickness of Plating 01—1μ" 15—15μ" Custom plate available	9 Material—Resin 3—LCP 4—PA6T	10 E Size 01,02...—Serial number (See Table1)	11 G Size 01,02...—Serial number (See Table1)	12 H Size 1,2...—Serial number (See Table1)	13 Packaging M—Reel	



Recommended P.C.Board Layout

 THIRD ANGLE PROJECTION DESIGN UNITS Inch (metric) SCALE 5:1 SIZE A4	GENERAL TOLERANCES (UNLESS SPECIFIED)		APPROVE BY FRANK	DATE 24/DEC/19	PART NO. FPH25472-DXXS7XXXXXXXOM	ITEM NO. FPH25472	 3K-KAMING REV 0 SHEET NO. 1/3
	X.±.012(0.30)	X.±5'	CHECKED BY CHERRY	DATE 24/DEC/19	TITLE Board to Board(Pin Header) Pitch 2.54mm 180° Vertical(SMT)		
	X.X±.008(0.20)	.X'±2'	DRAWN BY ZOEY	DATE 24/DEC/19	THIS DRAWING CONTAINS INFORMATION THAT IS PROPRIETARY TO DONG GUAN LANG LUN(3K-KAMING) ELECTRONIC PRODUCTS CO.,LTD. AND SHOULD NOT BE USED WITHOUT WRITTEN PERMISSION		
	X.XX±.006(0.15)	.XX'±1'					

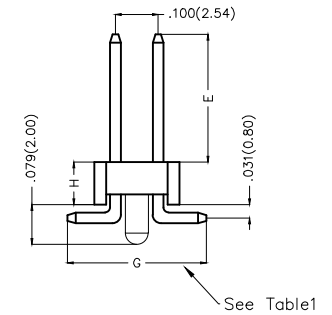
REV	LOCATIONS	DESCRIPTION	DATE	REVISER	APPD



Table1

Serial number	Dimensions(in/mm)		Serial number	Dimensions(in/mm)	
	E			E	
01	.059(1.50)		19	.236(6.00)	
02	.069(1.75)		20	.246(6.25)	
03	.079(2.00)		21	.256(6.50)	
04	.089(2.25)		22	.266(6.75)	
05	.098(2.50)		23	.276(7.00)	
06	.108(2.75)		24	.285(7.25)	
07	.118(3.00)		25	.295(7.50)	
08	.128(3.25)		26	.305(7.75)	
09	.138(3.50)		27	.315(8.00)	
10	.148(3.75)		28	.325(8.25)	
11	.157(4.00)		29	.335(8.50)	
12	.167(4.25)		30	.344(8.75)	
13	.177(4.50)		31	.354(9.00)	
14	.187(4.75)		32	.364(9.25)	
15	.197(5.00)		33	.374(9.50)	
16	.207(5.25)		34	.384(9.75)	
17	.217(5.50)		35	.394(10.00)	
18	.226(5.75)		36		

Serial number	Dimensions(in/mm)		Serial number	Dimensions(in/mm)	
	G			G	
01	.217(5.50)		19	.394(10.00)	
02	.226(5.75)		20	.404(10.25)	
03	.236(6.00)		21	.413(10.50)	
04	.246(6.25)				
05	.256(6.50)				
06	.266(6.75)				
07	.276(7.00)				
08	.285(7.25)				
09	.295(7.50)				
10	.305(7.75)				
11	.315(8.00)				
12	.325(8.25)				
13	.335(8.50)				
14	.344(8.75)				
15	.354(9.00)				
16	.364(9.25)				
17	.374(9.50)				
18	.384(9.75)				



Serial number	Dimensions(in/mm)
H	
1	.039(1.00)
2	.059(1.50)
3	.079(2.00)
4	.098(2.50)



 THIRD ANGLE PROJECTION	GENERAL TOLERANCES (UNLESS SPECIFIED)		APPROVE BY FRANK	DATE 24/DEC/19	PART NO. FPH25472-DXXSXXXXXXXXXOM	ITEM NO. FPH25472	 3K-KAMING	
	DESIGN UNITS Inch (metric)	X.±.012(0.30)	X.'±5'	CHECKED BY CHERRY	DATE 24/DEC/19	TITLE Board to Board(Pin Header) Pitch 2.54mm 180° Vertical(SMT)		REV 0
	SCALE 5:1	X.XX±.008(0.20)	.X'±2'	DRAWN BY ZOEY	DATE 24/DEC/19	THIS DRAWING CONTAINS INFORMATION THAT IS PROPRIETARY TO DONG GUAN LANG LUN(3K-KAMING) ELECTRONIC PRODUCTS CO., LTD. AND SHOULD NOT BE USED WITHOUT WRITTEN PERMISSION		
	SIZE A4	X.XX±.006(0.15)	.XX'±1'					
	X.XXX±.004(0.10)	.XXX'±0.5'						

1 2 3 4 5 6 7 8

REV	LOCATIONS	DESCRIPTION	DATE	REVISER	APPD



Circuits (n)	Part No.	Dimensions(in/mm)		Circuits (n)	Part No.	Dimensions(in/mm)	
		A	B			A	B
6	FPH25472-D06SXXXXXXXXXOM	.200(5.08)	.300(7.62)	44	FPH25472-D44SXXXXXXXXXOM	2.100(53.34)	2.200(55.88)
8	FPH25472-D08SXXXXXXXXXOM	.300(7.62)	.400(10.16)	46	FPH25472-D46SXXXXXXXXXOM	2.200(55.88)	2.300(58.42)
10	FPH25472-D10SXXXXXXXXXOM	.400(10.16)	.500(12.70)	48	FPH25472-D48SXXXXXXXXXOM	2.300(58.42)	2.400(60.96)
12	FPH25472-D12SXXXXXXXXXOM	.500(12.70)	.600(15.24)	50	FPH25472-D50SXXXXXXXXXOM	2.400(60.96)	2.500(63.50)
14	FPH25472-D14SXXXXXXXXXOM	.600(15.24)	.700(17.78)	52	FPH25472-D52SXXXXXXXXXOM	2.500(63.50)	2.600(66.04)
16	FPH25472-D16SXXXXXXXXXOM	.700(17.78)	.800(20.32)	54	FPH25472-D54SXXXXXXXXXOM	2.600(66.04)	2.700(68.58)
18	FPH25472-D18SXXXXXXXXXOM	.800(20.32)	.900(22.86)	56	FPH25472-D56SXXXXXXXXXOM	2.700(68.58)	2.800(71.12)
20	FPH25472-D20SXXXXXXXXXOM	.900(22.86)	1.000(25.40)	58	FPH25472-D58SXXXXXXXXXOM	2.800(71.12)	2.900(73.66)
22	FPH25472-D22SXXXXXXXXXOM	1.000(25.40)	1.100(27.94)	60	FPH25472-D60SXXXXXXXXXOM	2.900(73.66)	3.000(76.20)
24	FPH25472-D24SXXXXXXXXXOM	1.100(27.94)	1.200(30.48)	62	FPH25472-D62SXXXXXXXXXOM	3.000(76.20)	3.100(78.74)
26	FPH25472-D26SXXXXXXXXXOM	1.200(30.48)	1.300(33.02)	64	FPH25472-D64SXXXXXXXXXOM	3.100(78.74)	3.200(81.28)
28	FPH25472-D28SXXXXXXXXXOM	1.300(33.02)	1.400(35.56)	66	FPH25472-D66SXXXXXXXXXOM	3.200(81.28)	3.300(83.82)
30	FPH25472-D30SXXXXXXXXXOM	1.400(35.56)	1.500(38.10)	68	FPH25472-D68SXXXXXXXXXOM	3.300(83.82)	3.400(86.36)
32	FPH25472-D32SXXXXXXXXXOM	1.500(38.10)	1.600(40.64)	70	FPH25472-D70SXXXXXXXXXOM	3.400(86.36)	3.500(88.90)
34	FPH25472-D34SXXXXXXXXXOM	1.600(40.64)	1.700(43.18)	72	FPH25472-D72SXXXXXXXXXOM	3.500(88.90)	3.600(91.44)
36	FPH25472-D36SXXXXXXXXXOM	1.700(43.18)	1.800(45.72)	74	FPH25472-D74SXXXXXXXXXOM	3.600(91.44)	3.700(93.98)
38	FPH25472-D38SXXXXXXXXXOM	1.800(45.72)	1.900(48.26)	76	FPH25472-D76SXXXXXXXXXOM	3.700(93.98)	3.800(96.52)
40	FPH25472-D40SXXXXXXXXXOM	1.900(48.26)	2.000(50.80)	78	FPH25472-D78SXXXXXXXXXOM	3.800(96.52)	3.900(99.06)
42	FPH25472-D42SXXXXXXXXXOM	2.000(50.80)	2.100(53.34)	80	FPH25472-D80SXXXXXXXXXOM	3.900(99.06)	4.000(101.60)



<p>THIRD ANGLE PROJECTION</p>	GENERAL TOLERANCES (UNLESS SPECIFIED)		APPROVE BY FRANK	DATE 24/DEC/19	PART NO. FPH25472-DXXSXXXXXXXXXOM	ITEM NO. FPH25472	<p>3K-KAMING</p>		
	DESIGN UNITS Inch (metric)	X.±.012(0.30)	X.±5'	CHECKED BY CHERRY	DATE 24/DEC/19	TITLE Board to Board(Pin Header) Pitch 2.54mm 180° Vertical(SMT)		REV 0	SHEET NO. 3/3
	SCALE 5:1	SIZE A4	X.XX±.006(0.15)	.XX±1'	DRAWN BY ZOEY	DATE 24/DEC/19		THIS DRAWING CONTAINS INFORMATION THAT IS PROPRIETARY TO DONG GUAN LANG LUN(3K-KAMING) ELECTRONIC PRODUCTS CO.,LTD. AND SHOULD NOT BE USED WITHOUT WRITTEN PERMISSION	

1 2 3 4 5 6 7 8