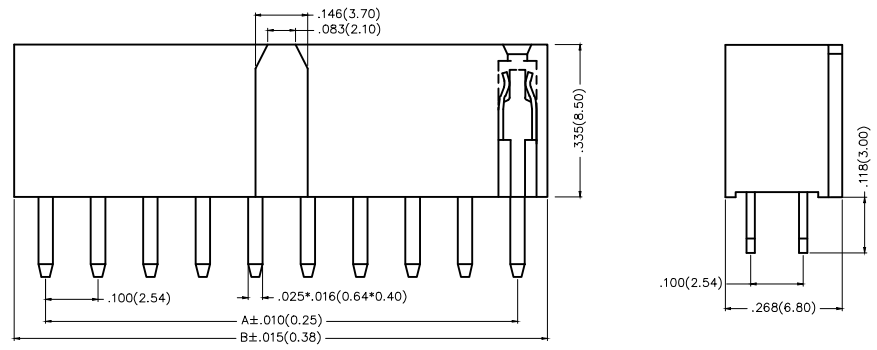
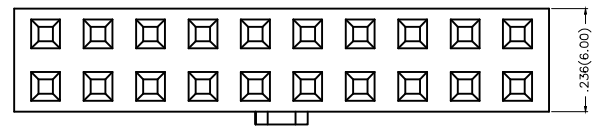


REV	LOCATIONS	DESCRIPTION	DATE	REVISER	APPD



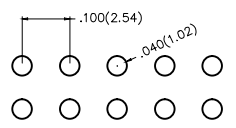
Electrical
 Current Rating: 3A AC(rms)/DC
 Voltage Rating: 250V AC(rms)/DC
 Contact Resistance: 20 mΩ Max
 Insulation Resistance: 1000 MΩ MIN
 Withstanding Voltage: 500V AC r.m.s
 Temperature Range—Operating: -40°C~+105°C
 Material and Plating
 Housing: PBT/PA6T(UL 94V-0)
 Contact Pin: Phosphor Bronze
 Plating: Gold Plated/Selective gold in contact area,
 matte(bright) tin on tail




Ordering Information

FFH 254 40 — D XX S X XX X K6 K
 1 2 3 4 5 6 7 8 9 10 11

1 Category FFH—Female Header	2 Series Number 254—Pitch 2.54mm	3 Distinction No. 40	4 Row Option D—Double Row	5 Circuits XX	6 Entry Angle S—180° Vertical
7 Plating 1—Gold Plated 3—Selective gold in contact area, matte(bright) tin on tail	8 Thickness of Plating 00—Gold Flash 05—5μ" Custom plate available	9 Material—Resin 1—PBT 4—PA6T	10 Color—Resin K6—Black	11 Packaging K—Tray	



Recommended P.C.Board Layout

THIRD ANGLE PROJECTION	GENERAL TOLERANCES (UNLESS SPECIFIED)		APPROVE BY FRANK	DATE 12/AUG/13	PART NO. FFH25440-DXXSXXXXK6K	ITEM NO. FFH25440	 3K-KAMLING REV 0 SHEET NO. 1/1
	DESIGN UNITS Inch (metric)	X.±.012(0.30) X.X±.008(0.20) X.XX±.006(0.15) X.XXX±.004(0.10)	X.±5° X.±2° .XX±1° .XXX±0.5°	CHECKED BY CHERRY	DATE 12/AUG/13	TITLE Board to Board (Female Header) Pitch 2.54mm 180° Vertical (DIP)	
SCALE 5:1	SIZE A4	DRAWN BY KEVIN		DATE 12/AUG/13	THIS DRAWING CONTAINS INFORMATION THAT IS PROPRIETARY TO DONG GUAN LANG LUN(3K-KAMING) ELECTRONIC PRODUCTS CO., LTD. AND SHOULD NOT BE USED WITHOUT WRITTEN PERMISSION		

REV	LOCATIONS	DESCRIPTION	DATE	REVISER	APPD



Circuits (n)	Part No.	Dimensions(in/mm)		Circuits (n)	Part No.	Dimensions(in/mm)	
		A	B			A	B
4	FFH25440-D04SXXXXK6K	.100(2.54)	.220(5.58)	44	FFH25440-D44SXXXXK6K	2.100(53.34)	2.220(56.38)
6	FFH25440-D06SXXXXK6K	.200(5.08)	.320(8.12)	46	FFH25440-D46SXXXXK6K	2.200(55.88)	2.320(58.92)
8	FFH25440-D08SXXXXK6K	.300(7.62)	.420(10.66)	48	FFH25440-D48SXXXXK6K	2.300(58.42)	2.420(61.46)
10	FFH25440-D10SXXXXK6K	.400(10.16)	.520(13.20)	50	FFH25440-D50SXXXXK6K	2.400(60.96)	2.520(64.00)
12	FFH25440-D12SXXXXK6K	.500(12.70)	.620(15.74)	52	FFH25440-D52SXXXXK6K	2.500(63.50)	2.620(66.54)
14	FFH25440-D14SXXXXK6K	.600(15.24)	.720(18.28)	54	FFH25440-D54SXXXXK6K	2.600(66.04)	2.720(69.08)
16	FFH25440-D16SXXXXK6K	.700(17.78)	.820(20.82)	56	FFH25440-D56SXXXXK6K	2.700(68.58)	2.820(71.62)
18	FFH25440-D18SXXXXK6K	.800(20.32)	.920(23.36)	58	FFH25440-D58SXXXXK6K	2.800(71.12)	2.920(74.16)
20	FFH25407-D20SXXXXK6K	.900(22.86)	1.020(25.90)	60	FFH25440-D60SXXXXK6K	2.900(73.66)	3.020(76.70)
22	FFH25440-D22SXXXXK6K	1.000(25.40)	1.120(28.44)	62	FFH25440-D62SXXXXK6K	3.000(76.20)	3.120(79.24)
24	FFH25440-D24SXXXXK6K	1.100(27.94)	1.220(30.98)	64	FFH25440-D64SXXXXK6K	3.100(78.74)	3.220(81.78)
26	FFH25440-D26SXXXXK6K	1.200(30.48)	1.320(33.52)	66	FFH25440-D66SXXXXK6K	3.200(81.28)	3.320(84.32)
28	FFH25440-D28SXXXXK6K	1.300(33.02)	1.420(36.06)	68	FFH25440-D68SXXXXK6K	3.300(83.82)	3.420(86.86)
30	FFH25440-D30SXXXXK6K	1.400(35.56)	1.520(38.60)	70	FFH25440-D70SXXXXK6K	3.400(86.36)	3.520(89.40)
32	FFH25440-D32SXXXXK6K	1.500(38.10)	1.620(41.14)	72	FFH25440-D72SXXXXK6K	3.500(88.90)	3.620(91.94)
34	FFH25440-D34SXXXXK6K	1.600(40.64)	1.720(43.68)	74	FFH25440-D74SXXXXK6K	3.600(91.44)	3.720(94.48)
36	FFH25440-D36SXXXXK6K	1.700(43.18)	1.820(46.22)	76	FFH25440-D76SXXXXK6K	3.700(93.98)	3.820(97.02)
38	FFH25440-D38SXXXXK6K	1.800(45.72)	1.920(48.76)	78	FFH25440-D78SXXXXK6K	3.800(96.52)	3.920(99.56)
40	FFH25440-D40SXXXXK6K	1.900(48.26)	2.020(51.30)	80	FFH25440-D80SXXXXK6K	3.900(99.06)	4.020(102.10)
42	FFH25440-D42SXXXXK6K	2.000(50.80)	2.120(53.84)				



 THIRD ANGLE PROJECTION	GENERAL TOLERANCES (UNLESS SPECIFIED)		APPROVE BY FRANK	DATE 12/AUG/13	PART NO. FFH25440-DXXSXXXXK6K	ITEM NO. FFH25440	 3K-KAMING
	X.±0.12(0.30)	X.±5'	CHECKED BY CHERRY	DATE 12/AUG/13	TITLE Board to Board (Female Header) Pitch 2.54mm 180° Vertical (DIP)		
DESIGN UNITS Inch (metric)	X.X±.008(0.20)	.X'±2'	DRAWN BY KEVIN	DATE 12/AUG/13	THIS DRAWING CONTAINS INFORMATION THAT IS PROPRIETARY TO DONG GUAN LANG LUN(3K-KAMING) ELECTRONIC PRODUCTS CO.,LTD. AND SHOULD NOT BE USED WITHOUT WRITTEN PERMISSION		
SCALE 5:1	SIZE A4	X.XX±.006(0.15)	.XX'±1'				
		X.XXX±.004(0.10)	.XXX'±0.5'				