

Dimensions(in/mm)

H	H1+H2
.118(3.00)	.059(1.50)+.059(1.50)
.138(3.50)	.059(1.50)+.079(2.00)
≥.157(4.00)	.079(2.00)+.079(2.00)



REV	LOCATIONS	DESCRIPTION	DATE	REVISER	APPD

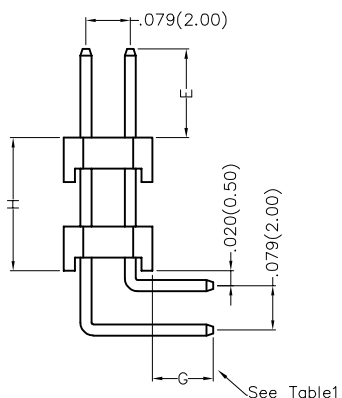
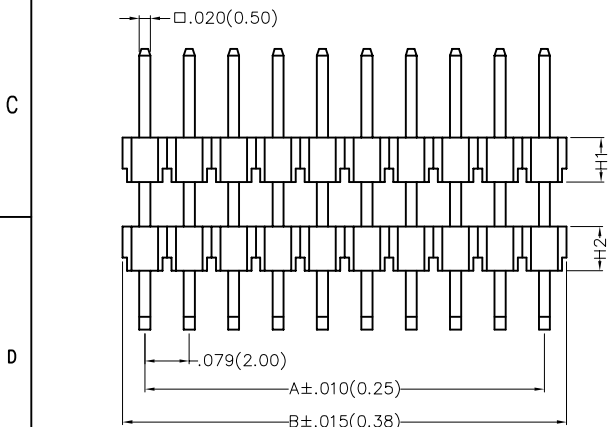
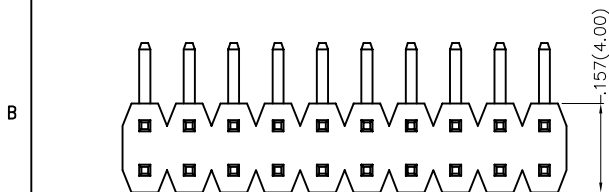
SPECIFICATIONS

Electrical

Current Rating: 2.0A AC(rms)/DC
 Voltage Rating: 250V AC(rms)/DC
 Contact Resistance: 20 mΩ Max
 Insulation Resistance: 1000 MΩ Min
 Withstanding Voltage: 600V AC r.m.s
 Temperature Range-Operating: -40°C~+105°C

Material

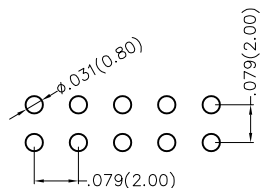
Housing: Glass Filled Polyester (UL 94V-0), Color: Black
 Pin: Brass
 Pin Plating: Gold plated/ Selective gold plated on contact area and 120μ" Min. matte tin plated on tails area



Ordering Information

FPH 200 55 - D XX B X XX X XX XX XX B
 1 2 3 4 5 6 7 8 9 10 11 12 13

1 Category FPH-Pin Header	2 Series Number 200-Pitch2.00mm	3 Distinction No. 55	4 Row Option D-Double Row	5 Circuits XX	6 Entry Angle B-90° Angle	7 Plating 1-Gold plated 7-Selective gold plated on contact area and matte tin plated on tails area
8 Thickness of Plating 01-1μ" 15-15μ" Custom plate available	9 Material-Resin 1-PBT 4-PA6T	10 E Size 01,02...-Serial number (See Table1)	11 G Size 01,02...-Serial number (See Table1)	12 H Size 01,02...-Serial number (See Table1)	13 Packaging B-PE Bag	



Recommended P.C.Board Layout



THIRD ANGLE PROJECTION	GENERAL TOLERANCES (UNLESS SPECIFIED)		APPROVE BY FRANK	DATE 23/DEC/19	PART NO. FPH20055-DXXBXXXXXXXXXXB	ITEM NO. FPH20055		
	DESIGN UNITS Inch (metric)	X±.012(0.30) X.X±.008(0.20) X.XX±.006(0.15) X.XXX±.004(0.10)	X.±5' X'±2' .XX'±1' .XXX'±0.5'	CHECKED BY CHERRY	DATE 23/DEC/19	TITLE Board to Board(Pin Header) Pitch 2.00mm 90° Angle(DIP)		REV 0
SCALE 5:1	SIZE A<	DRAWN BY ZOEY		DATE 23/DEC/19	THIS DRAWING CONTAINS INFORMATION THAT IS PROPRIETARY TO DONG GUAN LANG LUN(3K-KAMING) ELECTRONIC PRODUCTS CO., LTD. AND SHOULD NOT BE USED WITHOUT WRITTEN PERMISSION			

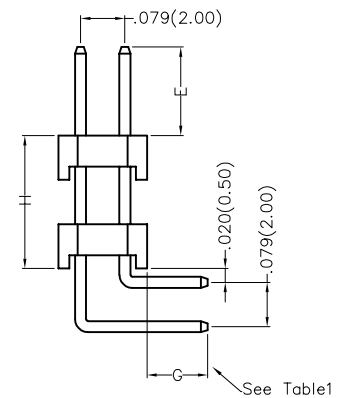
REV	LOCATIONS	DESCRIPTION	DATE	REVISER	APPD

Table1

Serial number	Dimensions (in/mm) E	Serial number	Dimensions (in/mm) E
01	.059(1.50)	19	.236(6.00)
02	.069(1.75)	20	.246(6.25)
03	.079(2.00)	21	.256(6.50)
04	.089(2.25)	22	.266(6.75)
05	.098(2.50)	23	.276(7.00)
06	.108(2.75)	24	.285(7.25)
07	.118(3.00)	25	.295(7.50)
08	.128(3.25)	26	.305(7.75)
09	.138(3.50)	27	.315(8.00)
10	.148(3.75)	28	.325(8.25)
11	.157(4.00)	29	.335(8.50)
12	.167(4.25)	30	.344(8.75)
13	.177(4.50)	31	.354(9.00)
14	.187(4.75)	32	.364(9.25)
15	.197(5.00)	33	.374(9.50)
16	.207(5.25)	34	.384(9.75)
17	.217(5.50)	35	.394(10.00)
18	.226(5.75)		

Serial number	Dimensions (in/mm) G	Serial number	Dimensions (in/mm) G
01	.059(1.50)	19	.236(6.00)
02	.069(1.75)	20	.246(6.25)
03	.079(2.00)	21	.256(6.50)
04	.089(2.25)	22	.266(6.75)
05	.098(2.50)	23	.276(7.00)
06	.108(2.75)	24	.285(7.25)
07	.118(3.00)	25	.295(7.50)
08	.128(3.25)	26	.305(7.75)
09	.138(3.50)	27	.315(8.00)
10	.148(3.75)	28	.325(8.25)
11	.157(4.00)	29	.335(8.50)
12	.167(4.25)	30	.344(8.75)
13	.177(4.50)	31	.354(9.00)
14	.187(4.75)	32	.364(9.25)
15	.197(5.00)	33	.374(9.50)
16	.207(5.25)	34	.384(9.75)
17	.217(5.50)	35	.394(10.00)
18	.226(5.75)		

Serial number	Dimensions (in/mm) H	Serial number	Dimensions (in/mm) H
01	.118(3.00)	19	.472(12.00)
02	.138(3.50)	20	.492(12.50)
03	.157(4.00)	21	.512(13.00)
04	.177(4.50)	22	.531(13.50)
05	.197(5.00)	23	.551(14.00)
06	.217(5.50)	24	.571(14.50)
07	.236(6.00)	25	.591(15.00)
08	.256(6.50)	26	.610(15.50)
09	.276(7.00)	27	.630(16.00)
10	.295(7.50)	28	.650(16.50)
11	.315(8.00)	29	.669(17.00)
12	.335(8.50)	30	.689(17.50)
13	.354(9.00)	31	.709(18.00)
14	.374(9.50)	32	.728(18.50)
15	.394(10.00)	33	.748(19.00)
16	.413(10.50)	34	.768(19.50)
17	.433(11.00)	35	.787(20.00)
18	.453(11.50)		



<p>THIRD ANGLE PROJECTION</p>	GENERAL TOLERANCES (UNLESS SPECIFIED)		APPROVE BY	DATE	PART NO.	ITEM NO.	<p>3K-KAMING</p>		
	X.±.012(0.30)	X'.±5'	FRANK	23/DEC/19	FPH20055-DXXBXXXXXXXXXXB	FPH20055			
	DESIGN UNITS Inch (metric)		CHECKED BY	DATE	TITLE			REV 0	SHEET NO. 2/3
	X.XX±.008(0.20)	.X'±2'	CHERRY	23/DEC/19	Board to Board(Pin Header) Pitch 2.00mm 90° Angle(DIP)				
SCALE	SIZE	DRAWN BY		DATE	THIS DRAWING CONTAINS INFORMATION THAT IS PROPRIETARY TO DONG GUAN LANG LUN(3K-KAMING) ELECTRONIC PRODUCTS CO.,LTD. AND SHOULD NOT BE USED WITHOUT WRITTEN PERMISSION				
5:1	A4	X.XX±.006(0.15)	ZOEY	23/DEC/19					
		X.XXX±.004(0.10)							

REV	LOCATIONS	DESCRIPTION	DATE	REVISER	APPD



Circuits (n)	Part No.	Dimensions(in/mm)		Circuits (n)	Part No.	Dimensions(in/mm)	
		A	B			A	B
2	FPH20055-D02BXXXXXXXXXB	—	.079(2.00)	42	FPH20055-D42BXXXXXXXXXB	1.574(40.00)	1.654(42.00)
4	FPH20055-D04BXXXXXXXXXB	.079(2.00)	.157(4.00)	44	FPH20055-D44BXXXXXXXXXB	1.654(42.00)	1.732(44.00)
6	FPH20055-D06BXXXXXXXXXB	.157(4.00)	.236(6.00)	46	FPH20055-D46BXXXXXXXXXB	1.732(44.00)	1.811(46.00)
8	FPH20055-D08BXXXXXXXXXB	.236(6.00)	.315(8.00)	48	FPH20055-D48BXXXXXXXXXB	1.811(46.00)	1.890(48.00)
10	FPH20055-D10BXXXXXXXXXB	.315(8.00)	.394(10.00)	50	FPH20055-D50BXXXXXXXXXB	1.890(48.00)	1.969(50.00)
12	FPH20055-D12BXXXXXXXXXB	.394(10.00)	.472(12.00)	52	FPH20055-D52BXXXXXXXXXB	1.969(50.00)	2.047(52.00)
14	FPH20055-D14BXXXXXXXXXB	.472(12.00)	.551(14.00)	54	FPH20055-D54BXXXXXXXXXB	2.047(52.00)	2.126(54.00)
16	FPH20055-D16BXXXXXXXXXB	.551(14.00)	.630(16.00)	56	FPH20055-D56BXXXXXXXXXB	2.126(54.00)	2.205(56.00)
18	FPH20055-D18BXXXXXXXXXB	.630(16.00)	.709(18.00)	58	FPH20055-D58BXXXXXXXXXB	2.205(56.00)	2.283(58.00)
20	FPH20055-D20BXXXXXXXXXB	.709(18.00)	.787(20.00)	60	FPH20055-D60BXXXXXXXXXB	2.283(58.00)	2.362(60.00)
22	FPH20055-D22BXXXXXXXXXB	.787(20.00)	.866(22.00)	62	FPH20055-D62BXXXXXXXXXB	2.362(60.00)	2.441(62.00)
24	FPH20055-D24BXXXXXXXXXB	.866(22.00)	.945(24.00)	64	FPH20055-D64BXXXXXXXXXB	2.441(62.00)	2.520(64.00)
26	FPH20055-D26BXXXXXXXXXB	.945(24.00)	1.024(26.00)	66	FPH20055-D66BXXXXXXXXXB	2.520(64.00)	2.598(66.00)
28	FPH20055-D28BXXXXXXXXXB	1.024(26.00)	1.102(28.00)	68	FPH20055-D68BXXXXXXXXXB	2.598(66.00)	2.677(68.00)
30	FPH20055-D30BXXXXXXXXXB	1.102(28.00)	1.181(30.00)	70	FPH20055-D70BXXXXXXXXXB	2.677(68.00)	2.756(70.00)
32	FPH20055-D32BXXXXXXXXXB	1.181(30.00)	1.260(32.00)	72	FPH20055-D72BXXXXXXXXXB	2.756(70.00)	2.835(72.00)
34	FPH20055-D34BXXXXXXXXXB	1.260(32.00)	1.339(34.00)	74	FPH20055-D74BXXXXXXXXXB	2.835(72.00)	2.913(74.00)
36	FPH20055-D36BXXXXXXXXXB	1.339(34.00)	1.417(36.00)	76	FPH20055-D76BXXXXXXXXXB	2.913(74.00)	2.992(76.00)
38	FPH20055-D38BXXXXXXXXXB	1.417(36.00)	1.496(38.00)	78	FPH20055-D78BXXXXXXXXXB	2.992(76.00)	3.071(78.00)
40	FPH20055-D40BXXXXXXXXXB	1.496(38.00)	1.574(40.00)	80	FPH20055-D80BXXXXXXXXXB	3.071(78.00)	3.150(80.00)



 THIRD ANGLE PROJECTION	GENERAL TOLERANCES (UNLESS SPECIFIED)		APPROVE BY	DATE	PART NO.	ITEM NO.	 3K-KAMING
	X.±.012(0.30)	X'.±5'	FRANK	23/DEC/19	FPH20055-DXXBXXXXXXXXXB	FPH20055	
	DESIGN UNITS Inch (metric)		CHECKED BY	DATE	TITLE		
	X.X±.008(0.20)	X'.±2'	CHERRY	23/DEC/19	Board to Board(Pin Header) Pitch 2.00mm 90° Angle(DIP)		
SCALE	SIZE	X.XX±.006(0.15)	.XX'±1'	DRAWN BY	DATE	REV 0	SHEET NO. 3/3
5:1	A<	X.XXX±.004(0.10)	.XXX'±0.5'	ZOEY	23/DEC/19	THIS DRAWING CONTAINS INFORMATION THAT IS PROPRIETARY TO DONG GUAN LANG LUN(3K-KAMING) ELECTRONIC PRODUCTS CO.,LTD. AND SHOULD NOT BE USED WITHOUT WRITTEN PERMISSION	