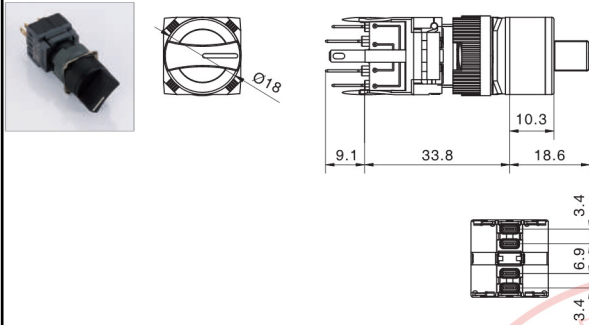


F16钥匙钮开关 / F16 Key Switch Button

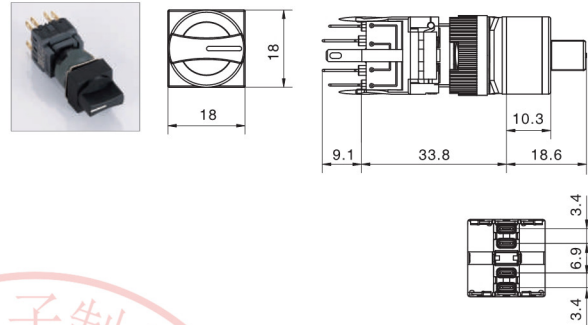
选择钮, 钥匙钮手柄位置/Selector and Key Switch Handle Positon

操作位规格 Operation		触点 Contact		↙	↑	↗
90° 2位 2 Positon	L R 自锁 Maintained	L R 自复 Momentary	单刀 SPDT	NO NC C1		NO NC C1
			双刀 DPDT	NO NC NO NC C1 C1		NO NC NO NC C1 C1
90° 3位 3 Positon	L C R 自锁 Maintained	L C R 左锁右复 Left lock Right reset	三刀 TPDT	NO NC NO NC C1 C1	NO NC NO NC C1 C1	NO NC NO NC C1 C1
	L C R 左复右锁 Left reset Right lock	L C R 自复 Momentary		NO NC NO NC C1 C1	NO NC NO NC C1 C1	NO NC NO NC C1 C1

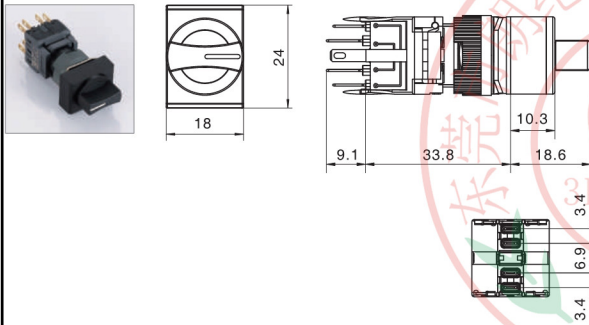
圆形选择钮



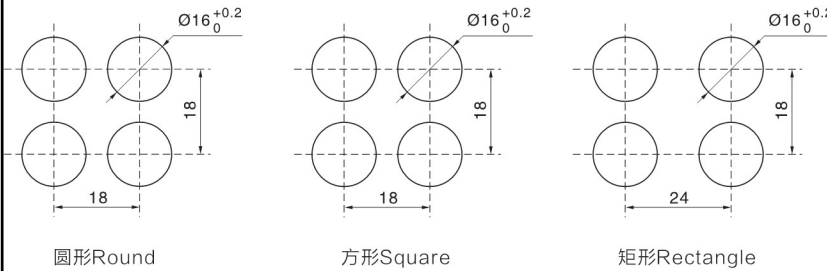
方形选择钮



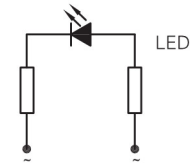
长方形选择钮



□ 安装尺寸图 / Installation size

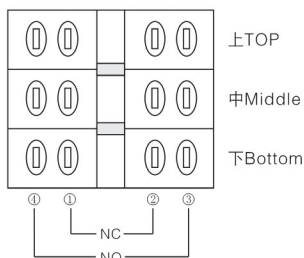


□ 灯珠电路图/LED Circuit



适用于交直流12VDC, 24VDC, 110VAC, 220VAC系列
for 12VDC, 24VDC, 110VAC, 220VAC

□ 端子排列图/ Terminal style



□ 右侧产品的底座看成正面时, 端子排列顺序及内部电路图。
As shown at right, the base of product to be seen as front side, which show terminal disposition and inside coil drawing.

□ 产品出产时基本安装触点座1C(1a+1b), 在需要时请指定增加最多3C(1a+1b)。
Product assemble contact 1C(1a+1b), if needed, Please appoint to add at least 3C(1a+1b)