

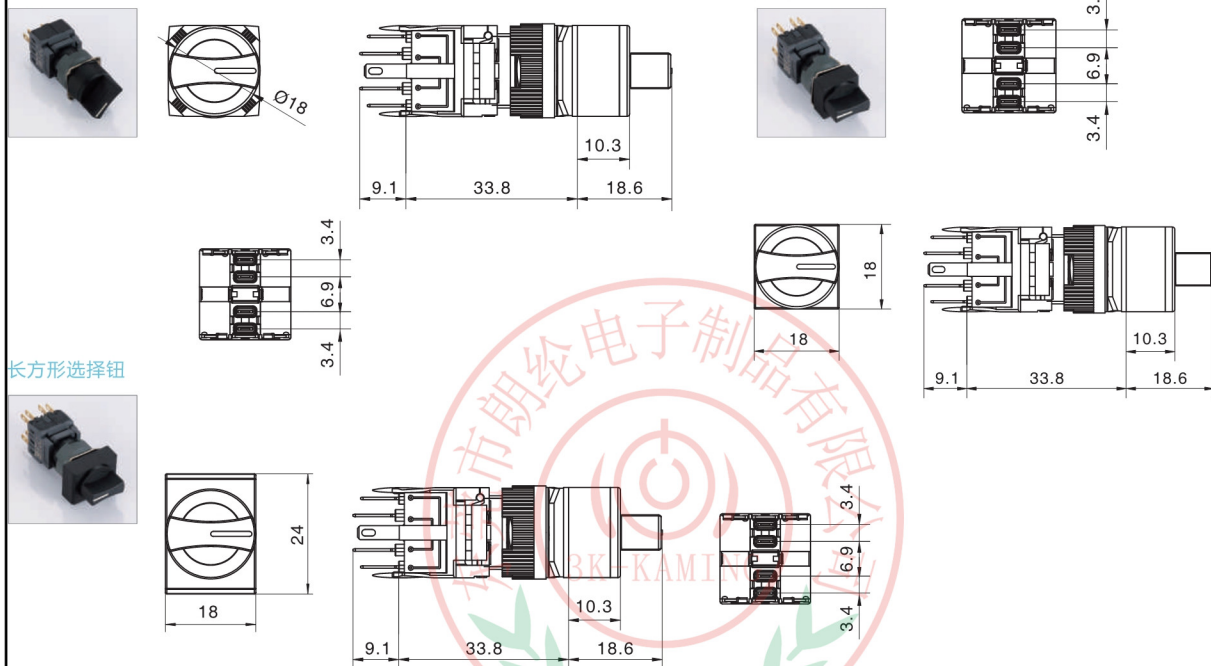
F16钥匙钮开关 / F16 Key Switch Button

选择钮, 钥匙钮手柄位置/Selector and Key Switch Handle Positon

| 操作位规格<br>Operation  |                      | 触点<br>Contact                     |                                   |
|---------------------|----------------------|-----------------------------------|-----------------------------------|
| 90° 2位<br>2 Positon | <br>自锁<br>Maintained | <br>自复<br>Momentary               | 单刀<br>SPDT<br>                    |
|                     |                      |                                   | 双刀<br>DPDT<br>                    |
| 90° 3位<br>3 Positon | <br>自锁<br>Maintained | <br>左锁右复<br>Left lock Right reset | <br>左复右锁<br>Left reset Right lock |
|                     |                      |                                   | 三刀<br>TPDT<br>                    |
|                     |                      |                                   |                                   |
|                     |                      |                                   |                                   |

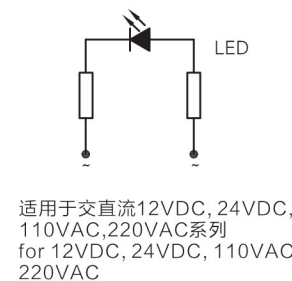
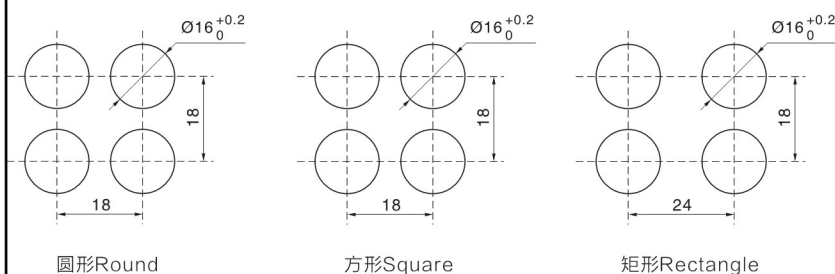
圆形选择钮

方形选择钮

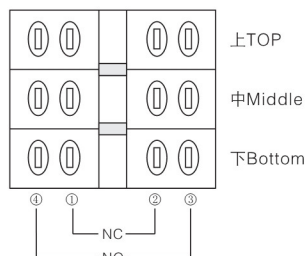


□ 安装尺寸图 / Installation size

□ 灯珠电路图/LED Circuit



□ 端子排列图/ Terminal style



- 右侧产品的底座看成正面时, 端子排列顺序及内部电路图。  
As shown at right, the base of product to be seen as front side, which show terminal disposition and inside coil drawing.
- 产品出产时基本安装触点座1C(1a+1b), 在需要时请指定增加最多3C(1a+1b)。  
Product assemble contact 1C(1a+1b), if needed, Please appoint to add at least 3C(1a+1b)