



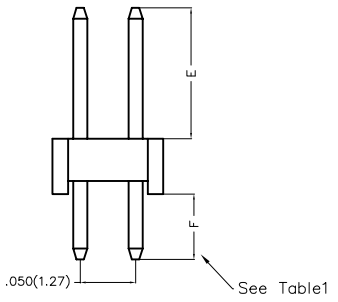
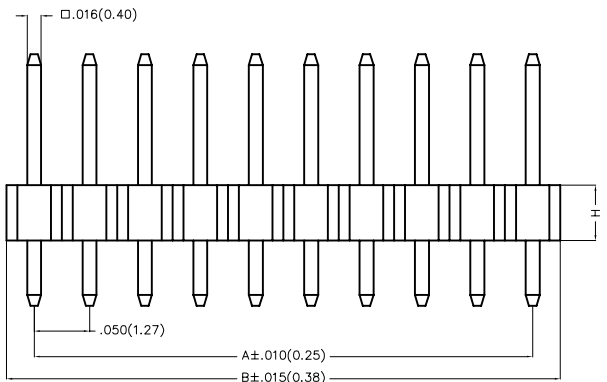
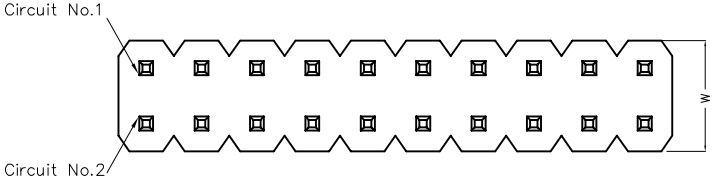
Dimensions(in/mm)	
H	W
.039(1.00)	.134(3.40)
.059(1.50)	
.079(2.00)	.118(3.00)
.098(2.50)	

REV	LOCATIONS	DESCRIPTION	DATE	REVISER	APPD

SPECIFICATIONS

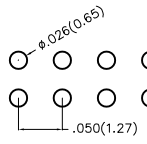
Electrical
 Current Rating:1.0A AC(rms)/DC
 Voltage Rating:250V AC(rms)/DC
 Contact Resistance:20 mΩ Max
 Insulation Resistance:1000 MΩ Min
 Withstanding Voltage:600V AC r.m.s
 Temperature Range-Operating:-40°C~+105°C

Material and Plating
 Housing:Glass Filled Polyester (UL 94V-0), Colors: Black
 Pin:Brass
 Pin Plating: Gold plated/ Selective gold plated on contact area and 120μ" Min. matte tin plated on tails area



Ordering Information

FPH 127 30 - D XX S X XX 4 XX XX X 0 B
 1 2 3 4 5 6 7 8 9 10 11 12 13



Recommended P.C.Board Layout



Category FPH-Pin Header	Series Number 127-Pitch1.27mm	Distinction No. 30	Row Option D-Double Row	Circuits XX	Entry Angle S-180° Vertical	Plating 1-Gold plated 7-Selective gold plated on contact area and matte tin plated on tails area
Thickness of Plating 01-1μ" 15-15μ" Custom plate available	Material-Resin 4-PA6T	E Size 01,02...-Serial number (See Table1)	F Size 01,02...-Serial number (See Table1)	H Size 1,2...-Serial number (See Table1)	Packaging B-PE Bag	

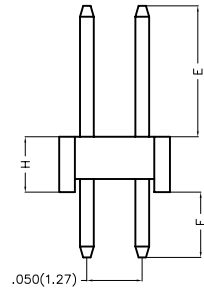
THIRD ANGLE PROJECTION	GENERAL TOLERANCES (UNLESS SPECIFIED)		APPROVE BY FRANK	DATE 17/DEC/19	PART NO. FPH12730-DXXSXXX4XXXXX0B	ITEM NO. FPH12730	
	DESIGN UNITS Inch (metric)	X.±.012(0.30) X.±5'	CHECKED BY CHERRY	DATE 17/DEC/19	TITLE Board to Board(Pin Header) Pitch 1.27mm 180° Vertical(DIP)		
SCALE 5:1	SIZE A<	X.XX±.006(0.15) .XX±1'	DRAWN BY ZOEY	DATE 17/DEC/19	THIS DRAWING CONTAINS INFORMATION THAT IS PROPRIETARY TO DONG GUAN LANG LUN(3K-KAMING) ELECTRONIC PRODUCTS CO.,LTD. AND SHOULD NOT BE USED WITHOUT WRITTEN PERMISSION		

REV	LOCATIONS	DESCRIPTION	DATE	REVISER	APPD

Table1

Serial number	Dimensions(in/mm) E	Serial number	Dimensions(in/mm) E
01	.059(1.50)	19	.236(6.00)
02	.069(1.75)	20	.246(6.25)
03	.079(2.00)	21	.256(6.50)
04	.089(2.25)	22	.266(6.75)
05	.098(2.50)	23	.276(7.00)
06	.108(2.75)	24	.285(7.25)
07	.118(3.00)	25	.295(7.50)
08	.128(3.25)	26	.305(7.75)
09	.138(3.50)	27	.315(8.00)
10	.148(3.75)	28	.325(8.25)
11	.157(4.00)	29	.335(8.50)
12	.167(4.25)	30	.344(8.75)
13	.177(4.50)	31	.354(9.00)
14	.187(4.75)	32	.364(9.25)
15	.197(5.00)	33	.374(9.50)
16	.207(5.25)	34	.384(9.75)
17	.217(5.50)	35	.394(10.00)
18	.226(5.75)		

Serial number	Dimensions(in/mm) F	Serial number	Dimensions(in/mm) F
01	.059(1.50)	19	.236(6.00)
02	.069(1.75)	20	.246(6.25)
03	.079(2.00)	21	.256(6.50)
04	.089(2.25)	22	.266(6.75)
05	.098(2.50)	23	.276(7.00)
06	.108(2.75)	24	.285(7.25)
07	.118(3.00)	25	.295(7.50)
08	.128(3.25)	26	.305(7.75)
09	.138(3.50)	27	.315(8.00)
10	.148(3.75)	28	.325(8.25)
11	.157(4.00)	29	.335(8.50)
12	.167(4.25)	30	.344(8.75)
13	.177(4.50)	31	.354(9.00)
14	.187(4.75)	32	.364(9.25)
15	.197(5.00)	33	.374(9.50)
16	.207(5.25)	34	.384(9.75)
17	.217(5.50)	35	.394(10.00)
18	.226(5.75)		



Serial number	Dimensions(in/mm) H
1	.039(1.00)
2	.059(1.50)
3	.079(2.00)
4	.098(2.50)



 THIRD ANGLE PROJECTION DESIGN UNITS Inch (metric) SCALE 5:1 SIZE A4	GENERAL TOLERANCES (UNLESS SPECIFIED)		APPROVE BY FRANK	DATE 17/DEC/19	PART NO. FPH12730-DXXSXXX4XXXXX08	ITEM NO. FPH12730	 3K-KAMING REV 0 SHEET NO. 2/3
	X.±.012(0.30)	X'.±5'	CHECKED BY CHERRY	DATE 17/DEC/19	TITLE Board to Board(Pin Header) Pitch 1.27mm 180° Vertical(DIP)		
	X.XX±.008(0.20)	.X'±2'	DRAWN BY ZOEY	DATE 17/DEC/19	THIS DRAWING CONTAINS INFORMATION THAT IS PROPRIETARY TO DONG GUAN LANG LUN(3K-KAMING) ELECTRONIC PRODUCTS CO.,LTD. AND SHOULD NOT BE USED WITHOUT WRITTEN PERMISSION		
	X.XX±.006(0.15)	.XX'±1'					
X.XXX±.004(0.10)	.XXX'±0.5'						



REV	LOCATIONS	DESCRIPTION	DATE	REVISER	APPD

Circuits (n)	Part No.	Dimensions(in/mm)		Circuits (n)	Part No.	Dimensions(in/mm)	
		A	B			A	B
2	FPH12730-D02SXXX4XXXXX0B	—	.050(1.27)	42	FPH12730-D42SXXX4XXXXX0B	1.000(25.40)	1.050(26.67)
4	FPH12730-D04SXXX4XXXXX0B	.050(1.27)	.100(2.54)	44	FPH12730-D44SXXX4XXXXX0B	1.050(26.67)	1.100(27.94)
6	FPH12730-D06SXXX4XXXXX0B	.100(2.54)	.150(3.81)	46	FPH12730-D46SXXX4XXXXX0B	1.100(27.94)	1.150(29.21)
8	FPH12730-D08SXXX4XXXXX0B	.150(3.81)	.200(5.08)	48	FPH12730-D48SXXX4XXXXX0B	1.150(29.21)	1.200(30.48)
10	FPH12730-D10SXXX4XXXXX0B	.200(5.08)	.250(6.35)	50	FPH12730-D50SXXX4XXXXX0B	1.200(30.48)	1.250(31.75)
12	FPH12730-D12SXXX4XXXXX0B	.250(6.35)	.300(7.62)	52	FPH12730-D52SXXX4XXXXX0B	1.250(31.75)	1.300(33.02)
14	FPH12730-D14SXXX4XXXXX0B	.300(7.62)	.350(8.89)	54	FPH12730-D54SXXX4XXXXX0B	1.300(33.02)	1.350(34.29)
16	FPH12730-D16SXXX4XXXXX0B	.350(8.89)	.400(10.16)	56	FPH12730-D56SXXX4XXXXX0B	1.350(34.29)	1.400(35.56)
18	FPH12730-D18SXXX4XXXXX0B	.400(10.16)	.450(11.43)	58	FPH12730-D58SXXX4XXXXX0B	1.400(35.56)	1.450(36.83)
20	FPH12730-D20SXXX4XXXXX0B	.450(11.43)	.500(12.70)	60	FPH12730-D60SXXX4XXXXX0B	1.450(36.83)	1.500(38.10)
22	FPH12730-D22SXXX4XXXXX0B	.500(12.70)	.550(13.97)	62	FPH12730-D62SXXX4XXXXX0B	1.500(38.10)	1.550(39.37)
24	FPH12730-D24SXXX4XXXXX0B	.550(13.97)	.600(15.24)	64	FPH12730-D64SXXX4XXXXX0B	1.550(39.37)	1.600(40.64)
26	FPH12730-D26SXXX4XXXXX0B	.600(15.24)	.650(16.51)	66	FPH12730-D66SXXX4XXXXX0B	1.600(40.64)	1.650(41.91)
28	FPH12730-D28SXXX4XXXXX0B	.650(16.51)	.700(17.78)	68	FPH12730-D68SXXX4XXXXX0B	1.650(41.91)	1.700(43.18)
30	FPH12730-D30SXXX4XXXXX0B	.700(17.78)	.750(19.05)	70	FPH12730-D70SXXX4XXXXX0B	1.700(43.18)	1.750(44.45)
32	FPH12730-D32SXXX4XXXXX0B	.750(19.05)	.800(20.32)	72	FPH12730-D72SXXX4XXXXX0B	1.750(44.45)	1.800(45.72)
34	FPH12730-D34SXXX4XXXXX0B	.800(20.32)	.850(21.59)	74	FPH12730-D74SXXX4XXXXX0B	1.800(45.72)	1.850(46.99)
36	FPH12730-D36SXXX4XXXXX0B	.850(21.59)	.900(22.86)	76	FPH12730-D76SXXX4XXXXX0B	1.850(46.99)	1.900(48.26)
38	FPH12730-D38SXXX4XXXXX0B	.900(22.86)	.950(24.13)	78	FPH12730-D78SXXX4XXXXX0B	1.900(48.26)	1.950(49.53)
40	FPH12730-D40SXXX4XXXXX0B	.950(24.13)	1.00(25.40)	80	FPH12730-D80SXXX4XXXXX0B	1.950(49.53)	2.000(50.80)



 THIRD ANGLE PROJECTION	GENERAL TOLERANCES (UNLESS SPECIFIED)		APPROVE BY	DATE	PART NO.	ITEM NO.	 3K-KAMING®
	X.±.012(0.30)	X.±5'	FRANK	17/DEC/19	FPH12730-DXXSXXX4XXXXX0B	FPH12730	
	X.X±.008(0.20)	.X'±2'	CHECKED BY	DATE	TITLE		
	X.XX±.006(0.15)	.XX'±1'	CHERRY	17/DEC/19	Board to Board(Pin Header) Pitch 1.27mm 180° Vertical(DIP)		
SCALE	SIZE	X.XXX±.004(0.10)	.XXX'±0.5'	DRAWN BY	DATE	REV 0	SHEET NO. 3/3
5:1	A/L	ZOEY	ZOEY	17/DEC/19	17/DEC/19	THIS DRAWING CONTAINS INFORMATION THAT IS PROPRIETARY TO DONG GUAN LANG LUN(3K-KAMING) ELECTRONIC PRODUCTS CO., LTD. AND SHOULD NOT BE USED WITHOUT WRITTEN PERMISSION	