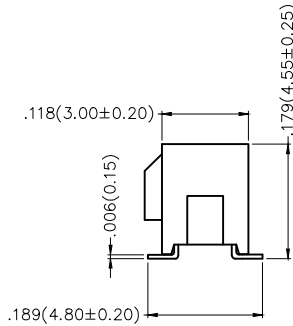
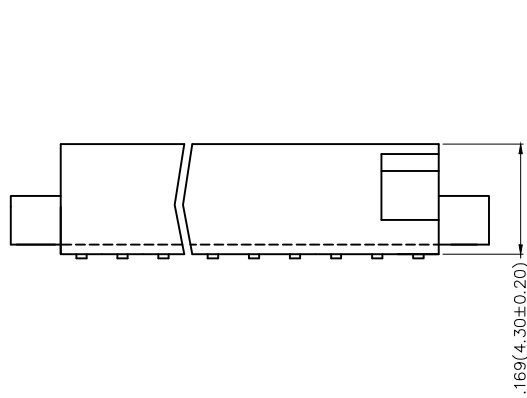
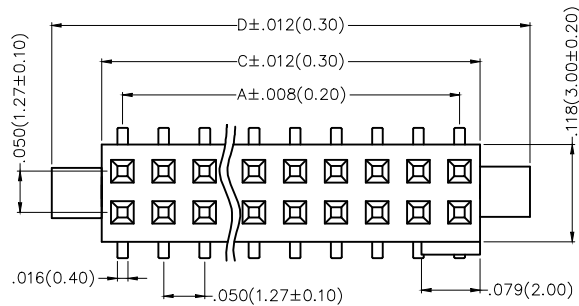


REV	LOCATIONS	DESCRIPTION	DATE	REVISER	APPD



Electrical  
 Current Rating: 1A AC(rms)/DC  
 Voltage Rating: 250V AC(rms)/DC  
 Contact Resistance: 20 mΩ Max  
 Insulation Resistance: 1000 MΩ MIN  
 Withstanding Voltage: 500V AC r.m.s  
 Temperature Range—Operating: -40°C~+85°C

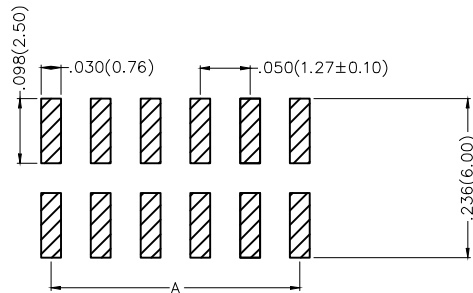
Material and Plating  
 Housing: PA6T( UL 94V-0)  
 Contact Pin: Phosphor Bronze  
 Plating: Gold Plated/Selective gold in contact area,  
 matte(bright) tin on tail



### Ordering Information

FFH 127 23 — D XX S 1 XX 4 K6 L  
 1 2 3 4 5 6 7 8 9 10 11

1 Category FFH—Female Header	2 Series Number 127—Pitch1.27mm	3 Distinction No. 23	4 Row Option D—Double Row	5 Circuits XX	6 Entry Angle S—180° Vertical
7 Plating 1—Gold Plated 3—Selective gold in contact area, matte(bright) tin on tail	8 Thickness of Plating 00—Gold Flash 05—5μ" Custom plate available	9 Material—Resin 4—PA6T	10 Color—Resin K6—Black	11 Packaging L—Tube	



Recommended P.C.Board Layout

 THIRD ANGLE PROJECTION	GENERAL TOLERANCES (UNLESS SPECIFIED)		APPROVE BY FRANK	DATE 18/JUN/13	PART NO. FFH12723-DXXS1XX4K6L	ITEM NO. FFH12723	 3K-KAMING
	X.±.012(0.30)	X'.±5'	CHECKED BY CHERRY	DATE 18/JUN/13	TITLE Board to Board (Female Header) Pitch 1.27mm 180° Vertical (SMT)		
DESIGN UNITS Inch (metric)	X.X±.008(0.20)	.X'±2'	DRAWN BY KATE	DATE 18/JUN/13	THIS DRAWING CONTAINS INFORMATION THAT IS PROPRIETARY TO DONG GUAN LANG LUN(3K-KAMING) ELECTRONIC PRODUCTS CO.,LTD. AND SHOULD NOT BE USED WITHOUT WRITTEN PERMISSION		
SCALE 5:1	SIZE A4	X.XX±.006(0.15)	.XX±1"				
		X.XXX±.004(0.10)	.XXX±0.5'				



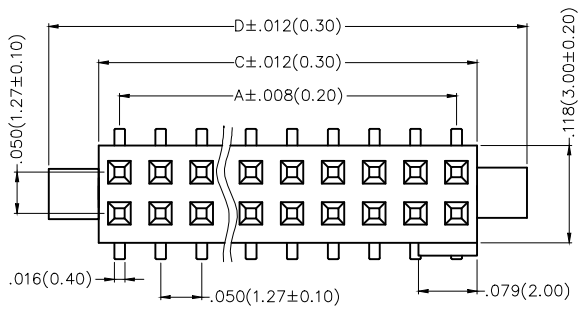
REV	LOCATIONS	DESCRIPTION	DATE	REVISER	APPD

Circuits (n)	Part No.	Dimensions(in/mm)				Circuits (n)	Part No.	Dimensions(in/mm)			
		A	B	C	D			A	B	C	D
6	FFH12723-D06S1XX4K6L	.100(2.54)	.221(5.61)	.168(4.26)	.298(7.56)	54	FFH12723-D54S1XX4K6L	1.300(33.02)	1.421(36.09)	1.368(34.74)	1.498(38.04)
8	FFH12723-D08S1XX4K6L	.150(3.81)	.271(6.88)	.218(5.53)	.348(8.83)	56	FFH12723-D56S1XX4K6L	1.350(34.29)	1.471(37.36)	1.418(36.01)	1.548(39.31)
10	FFH12723-D10S1XX4K6L	.200(5.08)	.321(8.15)	.268(6.80)	.398(10.10)	58	FFH12723-D58S1XX4K6L	1.400(35.56)	1.521(38.63)	1.468(37.28)	1.598(40.58)
12	FFH12723-D12S1XX4K6L	.250(6.35)	.371(9.42)	.318(8.07)	.448(11.37)	60	FFH12723-D60S1XX4K6L	1.450(36.83)	1.571(39.90)	1.518(38.55)	1.648(41.85)
14	FFH12723-D14S1XX4K6L	.300(7.62)	.421(10.69)	.368(9.34)	.498(12.64)	62	FFH12723-D62S1XX4K6L	1.500(38.10)	1.621(41.17)	1.568(39.82)	1.698(43.12)
16	FFH12723-D16S1XX4K6L	.350(8.89)	.471(11.96)	.418(10.61)	.548(13.91)	64	FFH12723-D64S1XX4K6L	1.550(39.37)	1.671(42.44)	1.618(41.09)	1.748(44.39)
18	FFH12723-D18S1XX4K6L	.400(10.16)	.521(13.23)	.468(11.88)	.598(15.18)	66	FFH12723-D66S1XX4K6L	1.600(40.64)	1.721(43.71)	1.667(42.36)	1.798(45.66)
20	FFH12723-D20S1XX4K6L	.450(11.43)	.571(14.50)	.518(13.15)	.648(16.45)	68	FFH12723-D68S1XX4K6L	1.650(41.91)	1.771(44.98)	1.718(43.63)	1.848(46.93)
22	FFH12723-D22S1XX4K6L	.500(12.70)	.621(15.77)	.568(14.42)	.698(17.72)	70	FFH12723-D70S1XX4K6L	1.700(43.18)	1.821(46.25)	1.768(44.90)	1.898(48.20)
24	FFH12723-D24S1XX4K6L	.550(13.97)	.671(17.04)	.618(15.69)	.748(18.99)	72	FFH12723-D72S1XX4K6L	1.750(44.45)	1.871(47.52)	1.818(46.17)	1.948(49.47)
26	FFH12723-D26S1XX4K6L	.600(15.24)	.721(18.31)	.668(16.96)	.798(20.26)	74	FFH12723-D74S1XX4K6L	1.800(45.72)	1.921(48.79)	1.868(47.44)	1.998(50.74)
28	FFH12723-D28S1XX4K6L	.650(16.51)	.771(19.58)	.718(18.23)	.848(21.53)	76	FFH12723-D76S1XX4K6L	1.850(46.99)	1.971(50.06)	1.918(48.71)	2.048(52.01)
30	FFH12723-D30S1XX4K6L	.700(17.78)	.821(20.85)	.768(19.50)	.898(22.80)	78	FFH12723-D78S1XX4K6L	1.900(48.26)	2.021(51.33)	1.968(49.98)	2.098(53.28)
32	FFH12723-D32S1XX4K6L	.750(19.05)	.871(22.12)	.818(20.77)	.948(24.07)	80	FFH12723-D80S1XX4K6L	1.950(49.53)	2.071(52.60)	2.018(51.25)	2.148(54.55)
34	FFH12723-D34S1XX4K6L	.800(20.32)	.921(23.39)	.868(22.04)	.998(25.34)	82	FFH12723-D82S1XX4K6L	2.000(50.80)	2.121(53.87)	2.068(52.52)	2.198(55.82)
36	FFH12723-D36S1XX4K6L	.850(21.59)	.971(24.66)	.918(23.31)	1.048(26.61)	84	FFH12723-D84S1XX4K6L	2.050(52.07)	2.171(55.14)	2.118(53.79)	2.248(57.09)
38	FFH12723-D38S1XX4K6L	.900(22.86)	1.021(25.93)	.968(24.58)	1.098(27.88)	86	FFH12723-D86S1XX4K6L	2.100(53.34)	2.221(56.41)	2.168(55.06)	2.298(58.36)
40	FFH12723-D40S1XX4K6L	.950(24.13)	1.071(27.20)	1.018(25.85)	1.148(29.15)	88	FFH12723-D88S1XX4K6L	2.150(54.61)	2.271(57.68)	2.218(56.33)	2.348(59.63)
42	FFH12723-D42S1XX4K6L	1.000(25.40)	1.121(28.47)	1.068(27.12)	1.198(30.42)	90	FFH12723-D90S1XX4K6L	2.200(55.88)	2.321(58.95)	2.268(57.60)	2.398(60.90)
44	FFH12723-D44S1XX4K6L	1.050(26.67)	1.171(29.74)	1.118(28.39)	1.248(31.69)	92	FFH12723-D92S1XX4K6L	2.250(57.15)	2.371(60.22)	2.318(58.87)	2.448(62.17)
46	FFH12723-D46S1XX4K6L	1.100(27.94)	1.221(31.01)	1.168(29.66)	1.298(32.96)	94	FFH12723-D94S1XX4K6L	2.300(58.42)	2.421(61.49)	2.368(60.14)	2.498(63.44)
48	FFH12723-D48S1XX4K6L	1.150(29.21)	1.271(32.28)	1.218(30.93)	1.348(34.23)	96	FFH12723-D96S1XX4K6L	2.350(59.69)	2.471(62.76)	2.418(61.41)	2.548(64.71)
50	FFH12723-D50S1XX4K6L	1.200(30.48)	1.321(33.55)	1.268(32.20)	1.398(35.50)	98	FFH12723-D98S1XX4K6L	2.400(60.96)	2.521(64.03)	2.468(62.68)	2.598(65.98)
52	FFH12723-D52S1XX4K6L	1.250(31.75)	1.371(34.82)	1.318(33.47)	1.448(36.77)	100	FFH12723-D100S1XX4K6L	2.450(62.23)	2.571(65.30)	2.518(63.95)	2.648(67.25)

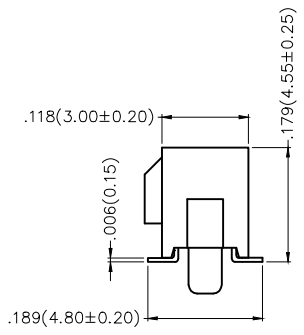
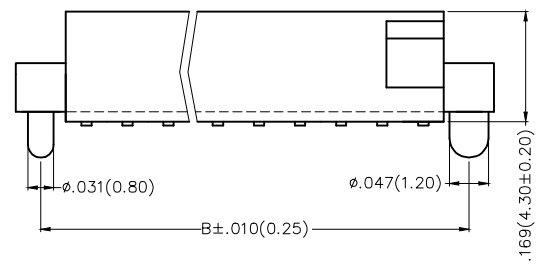


 THIRD ANGLE PROJECTION DESIGN UNITS Inch (metric) SCALE 5:1 SIZE A4	GENERAL TOLERANCES (UNLESS SPECIFIED)		APPROVE BY	DATE	PART NO.	ITEM NO.	 3K-KAMING REV 0 SHEET NO. 2/2
	X.±.012(0.30)	X'.±5'	FRANK	18/JUN/13	FFH12723-DXXS1XX4K6L	FFH12723	
	X.X±.008(0.20)	.X'±2'	CHECKED BY	DATE	TITLE		
	X.XX±.006(0.15)	.XX'±1'	CHERRY	18/JUN/13	Board to Board (Female Header) Pitch 1.27mm 180° Vertical (SMT)		
X.XXX±.004(0.10)	.XXX'±0.5'	DRAWN BY	DATE	THIS DRAWING CONTAINS INFORMATION THAT IS PROPRIETARY TO DONG GUAN LANG LUN(3K-KAMING) ELECTRONIC PRODUCTS CO.,LTD. AND SHOULD NOT BE USED WITHOUT WRITTEN PERMISSION			
		KATE	18/JUN/13				

REV	LOCATIONS	DESCRIPTION	DATE	REVISER	APPD
1	△	Part No. FFH12714 Change to FFH12713A	02/SEP/15	CHERRY	FRANK



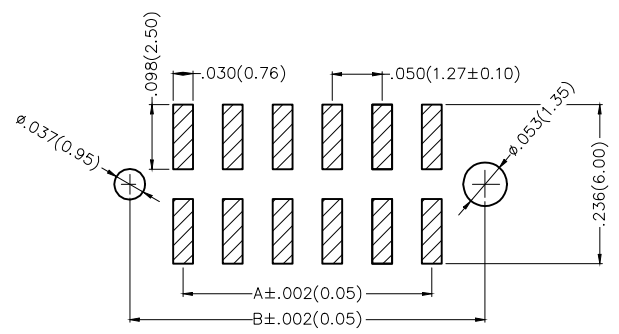
Electrical  
 Current Rating: 1A AC(rms)/DC  
 Voltage Rating: 250V AC(rms)/DC  
 Contact Resistance: 20 mΩ Max  
 Insulation Resistance: 1000 MΩ MIN  
 Withstanding Voltage: 500V AC r.m.s  
 Temperature Range—Operating: -40°C~+85°C  
 Material and Plating  
 Housing: PA6T( UL 94V-0)  
 Contact Pin: Phosphor Bronze  
 Plating: Gold Plated/Selective gold in contact area, matte(bright) tin on tail



### Ordering Information

FFH 127 23 - D XX S 1 XX 4 K6 L A  
 1 2 3 4 5 6 7 8 9 10 11 12

1 Category FFH—Female Header	2 Series Number 127—Pitch1.27mm	3 Distinction No. 23	4 Row Option D—Double Row	5 Circuits XX	6 Entry Angle S—180° Vertical
7 Plating 1—Gold Plated 3—Selective gold in contact area, matte(bright) tin on tail	8 Thickness of Plating 00—Gold Flash 05—5μ Custom plate available	9 Material—Resin 4—PA6T	10 Color—Resin K6—Black	11 Packaging L—Tube	12 Type A—With Position



Recommended P.C.Board Layout

 THIRD ANGLE PROJECTION	GENERAL TOLERANCES (UNLESS SPECIFIED)		APPROVE BY FRANK	DATE 18/JUN/13	PART NO. FFH12723-DXXS1XX4K6LA	ITEM NO. FFH12723A	 3K-KAMING
	DESIGN UNITS Inch (metric)	X.±.012(0.30) .X.±5'	X.±5'	CHECKED BY CHERRY	DATE 18/JUN/13	TITLE Board to Board (Female Header) Pitch 1.27mm 180° Vertical (SMT)	
SCALE 5:1	SIZE A4	X.XX±.006(0.15) .XX±1"	DRAWN BY KATE	DATE 18/JUN/13	THIS DRAWING CONTAINS INFORMATION THAT IS PROPRIETARY TO DONG GUAN LANG LUN(3K-KAMING) ELECTRONIC PRODUCTS CO.,LTD. AND SHOULD NOT BE USED WITHOUT WRITTEN PERMISSION		REV 0 SHEET NO. 1/2

REV	LOCATIONS	DESCRIPTION	DATE	REVISER	APPD



Circuits (n)	Part No.	Dimensions(in/mm)				Circuits (n)	Part No.	Dimensions(in/mm)			
		A	B	C	D			A	B	C	D
6	FFH12723-D06S1XX4K6LA	.100(2.54)	.221(5.61)	.168(4.26)	.298(7.56)	54	FFH12723-D54S1XX4K6LA	1.300(33.02)	1.421(36.09)	1.368(34.74)	1.498(38.04)
8	FFH12723-D08S1XX4K6LA	.150(3.81)	.271(6.88)	.218(5.53)	.348(8.83)	56	FFH12723-D56S1XX4K6LA	1.350(34.29)	1.471(37.36)	1.418(36.01)	1.548(39.31)
10	FFH12723-D10S1XX4K6LA	.200(5.08)	.321(8.15)	.268(6.80)	.398(10.10)	58	FFH12723-D58S1XX4K6LA	1.400(35.56)	1.521(38.63)	1.468(37.28)	1.598(40.58)
12	FFH12723-D12S1XX4K6LA	.250(6.35)	.371(9.42)	.318(8.07)	.448(11.37)	60	FFH12723-D60S1XX4K6LA	1.450(36.83)	1.571(39.90)	1.518(38.55)	1.648(41.85)
14	FFH12723-D14S1XX4K6LA	.300(7.62)	.421(10.69)	.368(9.34)	.498(12.64)	62	FFH12723-D62S1XX4K6LA	1.500(38.10)	1.621(41.17)	1.568(39.82)	1.698(43.12)
16	FFH12723-D16S1XX4K6LA	.350(8.89)	.471(11.96)	.418(10.61)	.548(13.91)	64	FFH12723-D64S1XX4K6LA	1.550(39.37)	1.671(42.44)	1.618(41.09)	1.748(44.39)
18	FFH12723-D18S1XX4K6LA	.400(10.16)	.521(13.23)	.468(11.88)	.598(15.18)	66	FFH12723-D66S1XX4K6LA	1.600(40.64)	1.721(43.71)	1.667(42.36)	1.798(45.66)
20	FFH12723-D20S1XX4K6LA	.450(11.43)	.571(14.50)	.518(13.15)	.648(16.45)	68	FFH12723-D68S1XX4K6LA	1.650(41.91)	1.771(44.98)	1.718(43.63)	1.848(46.93)
22	FFH12723-D22S1XX4K6LA	.500(12.70)	.621(15.77)	.568(14.42)	.698(17.72)	70	FFH12723-D70S1XX4K6LA	1.700(43.18)	1.821(46.25)	1.768(44.90)	1.898(48.20)
24	FFH12723-D24S1XX4K6LA	.550(13.97)	.671(17.04)	.618(15.69)	.748(18.99)	72	FFH12723-D72S1XX4K6LA	1.750(44.45)	1.871(47.52)	1.818(46.17)	1.948(49.47)
26	FFH12723-D26S1XX4K6LA	.600(15.24)	.721(18.31)	.668(16.96)	.798(20.26)	74	FFH12723-D74S1XX4K6LA	1.800(45.72)	1.921(48.79)	1.868(47.44)	1.998(50.74)
28	FFH12723-D28S1XX4K6LA	.650(16.51)	.771(19.58)	.718(18.23)	.848(21.53)	76	FFH12723-D76S1XX4K6LA	1.850(46.99)	1.971(50.06)	1.918(48.71)	2.048(52.01)
30	FFH12723-D30S1XX4K6LA	.700(17.78)	.821(20.85)	.768(19.50)	.898(22.80)	78	FFH12723-D78S1XX4K6LA	1.900(48.26)	2.021(51.33)	1.968(49.98)	2.098(53.28)
32	FFH12723-D32S1XX4K6LA	.750(19.05)	.871(22.12)	.818(20.77)	.948(24.07)	80	FFH12723-D80S1XX4K6LA	1.950(49.53)	2.071(52.60)	2.018(51.25)	2.148(54.55)
34	FFH12723-D34S1XX4K6LA	.800(20.32)	.921(23.39)	.868(22.04)	.998(25.34)	82	FFH12723-D82S1XX4K6LA	2.000(50.80)	2.121(53.87)	2.068(52.52)	2.198(55.82)
36	FFH12723-D36S1XX4K6LA	.850(21.59)	.971(24.66)	.918(23.31)	1.048(26.61)	84	FFH12723-D84S1XX4K6LA	2.050(52.07)	2.171(55.14)	2.118(53.79)	2.248(57.09)
38	FFH12723-D38S1XX4K6LA	.900(22.86)	1.021(25.93)	.968(24.58)	1.098(27.88)	86	FFH12723-D86S1XX4K6LA	2.100(53.34)	2.221(56.41)	2.168(55.06)	2.298(58.36)
40	FFH12723-D40S1XX4K6LA	.950(24.13)	1.071(27.20)	1.018(25.85)	1.148(29.15)	88	FFH12723-D88S1XX4K6LA	2.150(54.61)	2.271(57.68)	2.218(56.33)	2.348(59.63)
42	FFH12723-D42S1XX4K6LA	1.000(25.40)	1.121(28.47)	1.068(27.12)	1.198(30.42)	90	FFH12723-D90S1XX4K6LA	2.200(55.88)	2.321(58.95)	2.268(57.60)	2.398(60.90)
44	FFH12723-D44S1XX4K6LA	1.050(26.67)	1.171(29.74)	1.118(28.39)	1.248(31.69)	92	FFH12723-D92S1XX4K6LA	2.250(57.15)	2.371(60.22)	2.318(58.87)	2.448(62.17)
46	FFH12723-D46S1XX4K6LA	1.100(27.94)	1.221(31.01)	1.168(29.66)	1.298(32.96)	94	FFH12723-D94S1XX4K6LA	2.300(58.42)	2.421(61.49)	2.368(60.14)	2.498(63.44)
48	FFH12723-D48S1XX4K6LA	1.150(29.21)	1.271(32.28)	1.218(30.93)	1.348(34.23)	96	FFH12723-D96S1XX4K6LA	2.350(59.69)	2.471(62.76)	2.418(61.41)	2.548(64.71)
50	FFH12723-D50S1XX4K6LA	1.200(30.48)	1.321(33.55)	1.268(32.20)	1.398(35.50)	98	FFH12723-D98S1XX4K6LA	2.400(60.96)	2.521(64.03)	2.468(62.68)	2.598(65.98)
52	FFH12723-D52S1XX4K6LA	1.250(31.75)	1.371(34.82)	1.318(33.47)	1.448(36.77)	100	FFH12723-D100S1XX4K6LA	2.450(62.23)	2.571(65.30)	2.518(63.95)	2.648(67.25)



 THIRD ANGLE PROJECTION DESIGN UNITS Inch (metric) SCALE 5:1 SIZE A4	GENERAL TOLERANCES (UNLESS SPECIFIED)		APPROVE BY	DATE	PART NO.	ITEM NO.	 3K-KAMING REV 0 SHEET NO. 2/2
	X.±.012(0.30)	X.±5'	FRANK	18/JUN/13	FFH12723-DXXS1XX4K6LA	FFH12723A	
	X.X±.008(0.20)	.X'±2'	CHECKED BY	DATE	TITLE		
	X.XX±.006(0.15)	.XX'±1'	CHERRY	18/JUN/13	Board to Board (Female Header) Pitch 1.27mm 180° Vertical (SMT)		
X.XXX±.004(0.10)	.XXX'±0.5'	DRAWN BY	DATE	THIS DRAWING CONTAINS INFORMATION THAT IS PROPRIETARY TO DONG GUAN LANG LUN(3K-KAMING) ELECTRONIC PRODUCTS CO.,LTD. AND SHOULD NOT BE USED WITHOUT WRITTEN PERMISSION			
		KATE	18/JUN/13				