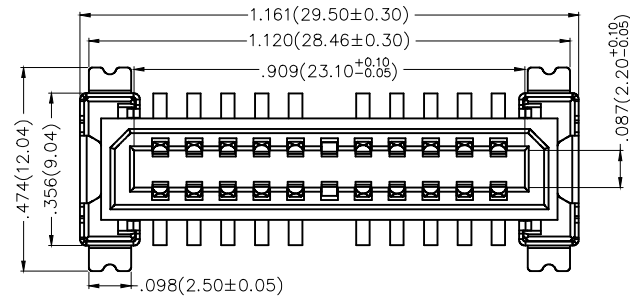


1 2 3 4 5 6 7 8

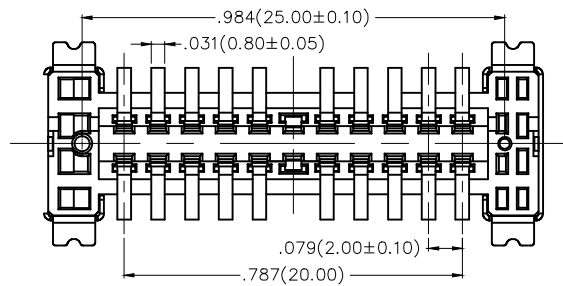
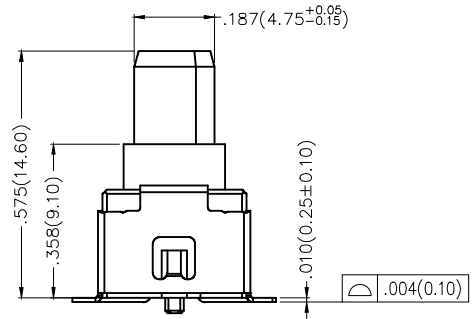
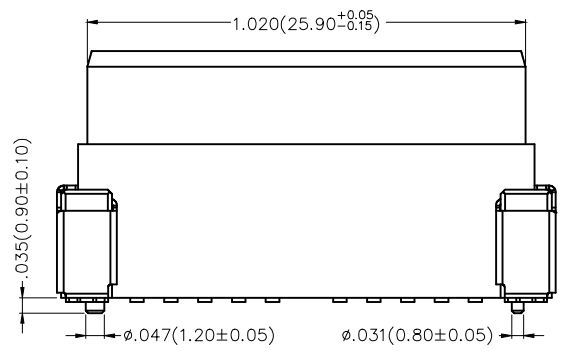
| REV | LOCATIONS | DESCRIPTION | DATE | REVISER | APPD |
|-----|-----------|-------------|------|---------|------|
| | | | | | |



SPECIFICATIONS

Electrical
 Current Rating: 1.0A AC(rms)/DC
 Voltage Rating: 100V AC(rms)/DC
 Contact Resistance: 100 mΩ Max.
 Insulation Resistance: 50 MΩ Min.
 Withstanding Voltage: 250V AC r.m.s
 Temperature Range—Operating: -40°C~+85°C

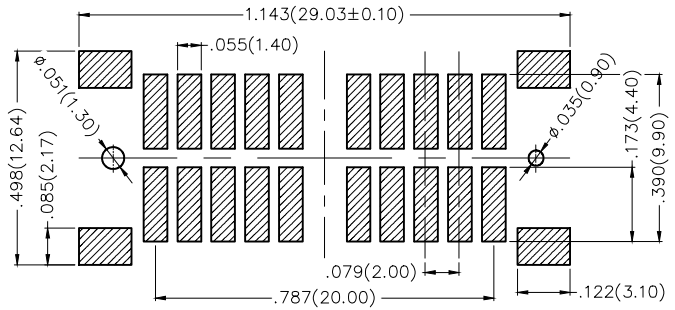
Material and Plating
 Housing: LCP (UL 94V-0)
 Contacts: Phosphor Bronze/ Selective gold in contact area, matte tin on tail



Ordering Information

FBB 200 02 — F 20 S 3 XX 3 W5 M
 1 2 3 4 5 6 7 8 9 10 11

| | | | | | |
|--|--|---------------------------|------------------------------|------------------------|----------------------------------|
| 1 Category FBB—Board to Board | 2 Series Number 200—Pitch 2.00mm | 3 Distinction No. 02 | 4 Type F—Female | 5 Circuits 20 | 6 Entry Angle S—180° Vertical |
| 7 Plating 3—Selective gold in contact area, tin on tail | 8 Thickness of Plating 01—1μ" 05—5μ" Custom plate available | 9 Material—Resin 3—LCP | 10 Color—Resin W5—Natural | 11 Packaging M—Reel | |



Recommended P.C.Board Layout
 General Tolerances: ±0.05mm

| | | | | | | | | |
|------------------------|---------------------------------------|--|--|----------------------|--|--|--|-------|
| THIRD ANGLE PROJECTION | GENERAL TOLERANCES (UNLESS SPECIFIED) | | APPROVE BY FRANK | DATE 21/DEC/18 | PART NO. FBB20002—F20S3XX3W5M | ITEM NO. FBB20002 | | |
| | DESIGN UNITS Inch (metric) | X.±.012(0.30) X.X±.008(0.20) X.XX±.006(0.15) X.XXX±.004(0.10) | X.'±5' X.'±2' X.X'±1' X.XXX'±0.5' | CHECKED BY CHERRY | DATE 21/DEC/18 | TITLE Board to Board Pitch 2mm 180° Vertical (SMT) | | REV 0 |
| SCALE 5:1 | SIZE A4 | DRAWN BY KATE | | DATE 21/DEC/18 | THIS DRAWING CONTAINS INFORMATION THAT IS PROPRIETARY TO DONG GUAN LANG LUN(3K-KAMING) ELECTRONIC PRODUCTS CO., LTD. AND SHOULD NOT BE USED WITHOUT WRITTEN PERMISSION | | | |

1 2 3 4 5 6 7 8