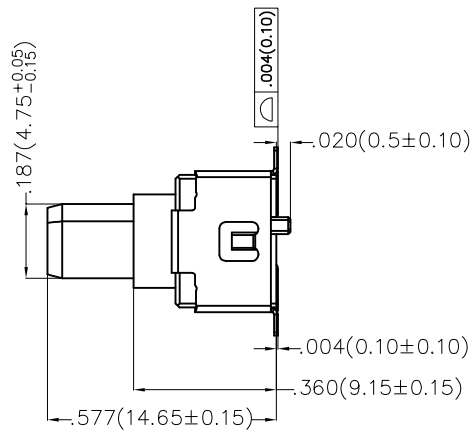
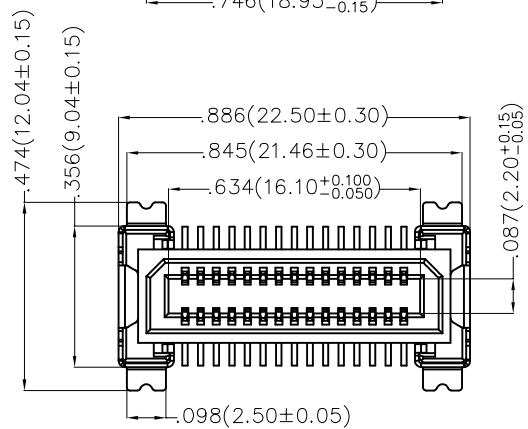
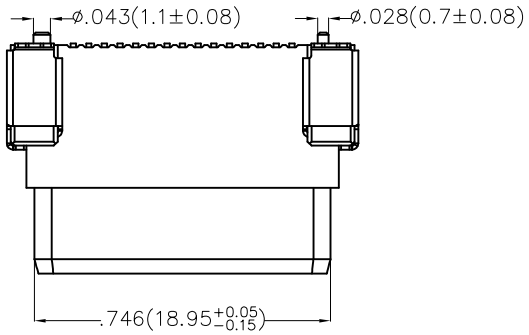


REV	LOCATIONS	DESCRIPTION	DATE	REVISER	APPD

A
B
C
D
E
F

A
B
C
D
E
F

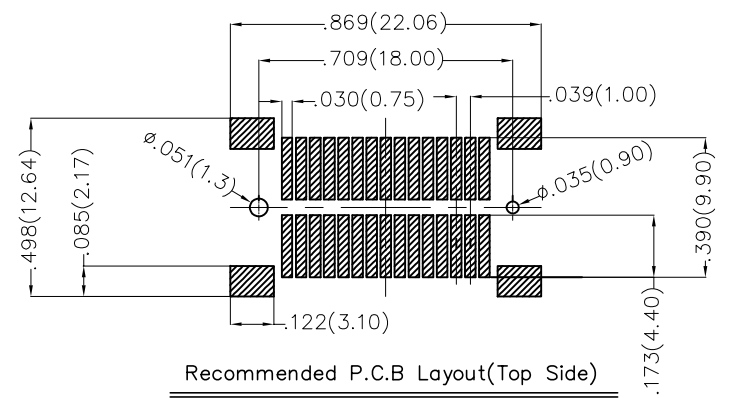


Electrical

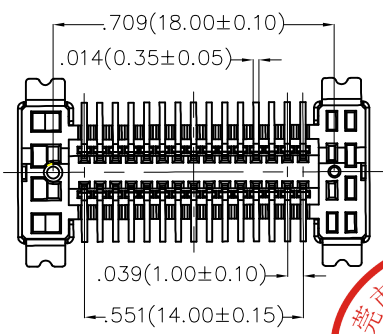
Current Rating: 1.0A AC(rms)/DC
Voltage Rating: 100V AC(rms)/DC
Contact Resistance: 100 mΩ Max.
Insulation Resistance: 50 MΩ Min.
Withstanding Voltage: 250V AC r.m.s
Temperature Range-Operating: -40°C~+85°C

Material and Plating

Housing: LCP (UL94V-0)
Contacts Pin: Phosphor Bronze
Plating: Selective gold in contact area,
tin on tail



Recommended P.C.B Layout (Top Side)
(PCB Board Tolerance ±0.05)



Ordering Information

FBB 100 04 — F 30 S 3 XX 3 W5 M
1 2 3 4 5 6 7 8 9 10 11

1	Category FBB-Board To Board	2	Series Number 100-Pitch1.0mm	3	Distinction No. 04	4	Type F-Female	5	Circuits 30	6	Entry Angle S-180° Vertical
7	Plating 3-Selective gold in contact area, tin on tail	8	Thickness of Plating 01-1μ" 05-5μ" Custom plate available	9	Material-Resin 3-LCP	10	Color-Resin W5-Natural	11	Packaging M-Reel		

THIRD ANGLE PROJECTION	GENERAL TOLERANCES (UNLESS SPECIFIED)		APPROVE BY FRANK	DATE 14/AUG/19	PART NO. FBB10004-F30S3XX3W5M	ITEM NO. FBB10004	
	X.±.012(0.30)	X.±5'	CHECKED BY CHERRY	DATE 14/AUG/19	TITLE Board to Board Pitch 1.0mm 180° Vertical (SMT)		
DESIGN UNITS Inch (metric)	X.X±.008(0.20)	.X'±2'	DRAWN BY ZOEY	DATE 14/AUG/19	THIS DRAWING CONTAINS INFORMATION THAT IS PROPRIETARY TO DONG GUAN LANG LUN(3K-KAMING) ELECTRONIC PRODUCTS CO., LTD. AND SHOULD NOT BE USED WITHOUT WRITTEN PERMISSION		
SCALE 5:1	SIZE A<	X.XX±.006(0.15)	.XX'±1'	X.XXX±.004(0.10)	.XXX'±0.5'		