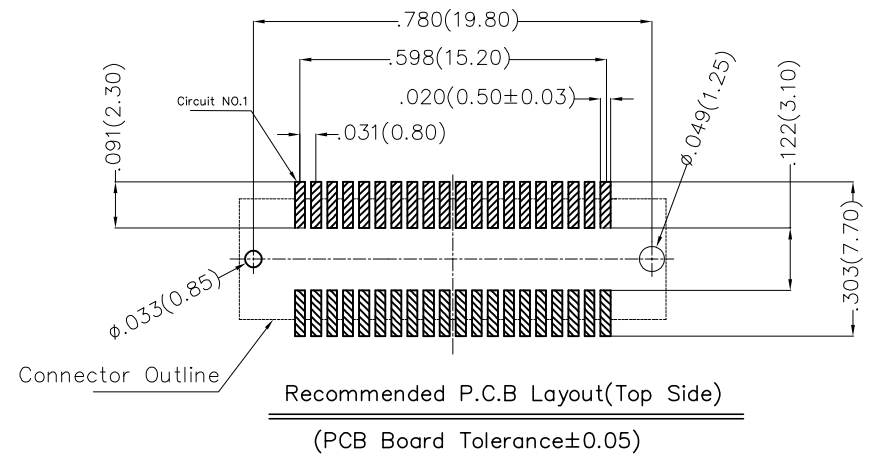
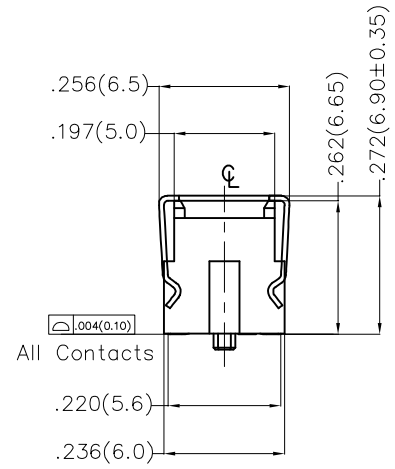
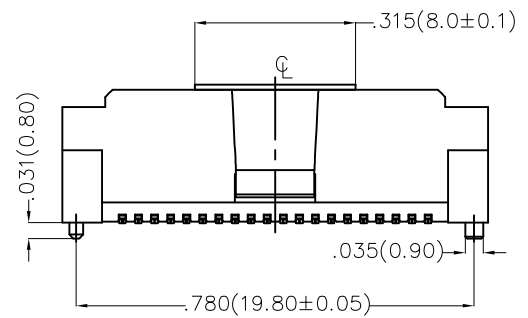
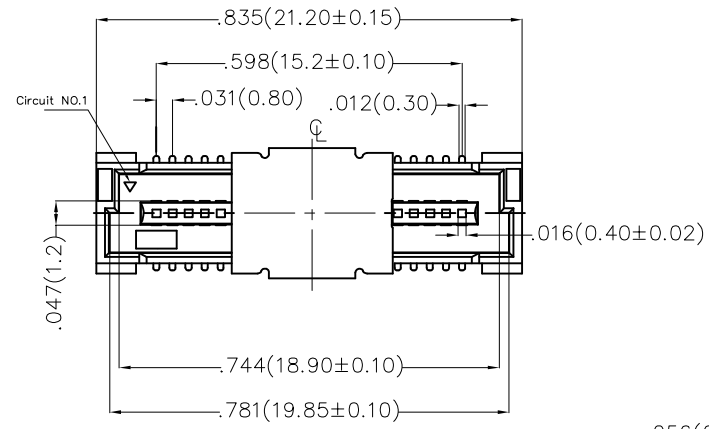


REV	LOCATIONS	DESCRIPTION	DATE	REVISER	APPD

Electrical
 Current Rating: 0.5A AC(rms)/DC
 Voltage Rating: 50V AC(rms)/DC
 Contact Resistance: 50 mΩ Max.
 Insulation Resistance: 500 MΩ Min.
 Withstanding Voltage: 200V AC r.m.s
 Temperature Range-Operating: -35°C~+85°C

Material and Plating
 Housing: LCP (UL94V-0)
 Contacts Pin: Phosphor Bronze
 Plating: Selective gold in contact area, tin on tail



Ordering Information

FBB 080 07 — M 40 S 3 XX 3 W5 M
 1 2 3 4 5 6 7 8 9 10 11

1 Category FBB-Board To Board	2 Series Number 080-Pitch 0.8mm	3 Distinction No. 07	4 Type M-Male	5 Circuits 40	6 Entry Angle S-180° Vertical
7 Plating 3-Selective gold in contact area, tin on tail	8 Thickness of Plating 01-1μ" 05-5μ" Custom plate available	9 Material-Resin 3-LCP	10 Color-Resin W5-Natural	11 Packaging M-Reel	

 THIRD ANGLE PROJECTION DESIGN UNITS Inch (metric) SCALE 5:1 SIZE A4	GENERAL TOLERANCES (UNLESS SPECIFIED) X.±.012(0.30) X.±5' X.X±.008(0.20) .X'±2' X.XX±.006(0.15) .XX'±1' X.XXX±.004(0.10) .XXX'±0.5'		APPROVE BY FRANK CHECKED BY CHERRY DRAWN BY ZOEY	DATE 14/AUG/19 DATE 14/AUG/19 DATE 14/AUG/19	PART NO. FBB08007-M40S3XX3W5M TITLE Board to Board Pitch 0.8mm 180° Vertical (SMT)	ITEM NO. FBB08007 REV 0	 SHEET NO. 1/1
	THIS DRAWING CONTAINS INFORMATION THAT IS PROPRIETARY TO DONG GUAN LANG LUN (3K-KAMING) ELECTRONIC PRODUCTS CO., LTD. AND SHOULD NOT BE USED WITHOUT WRITTEN PERMISSION						

