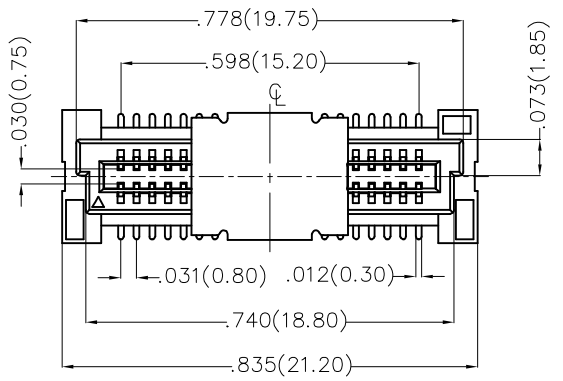


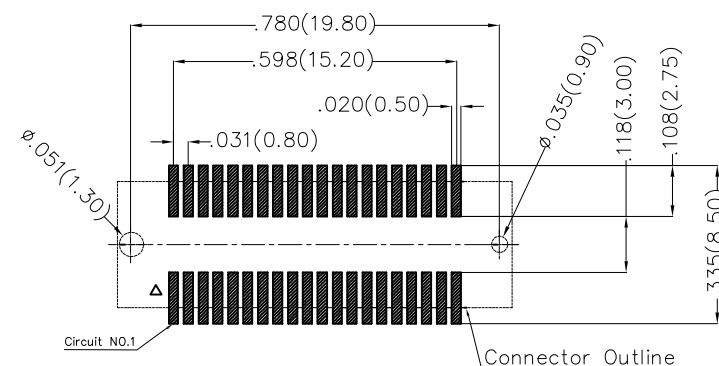
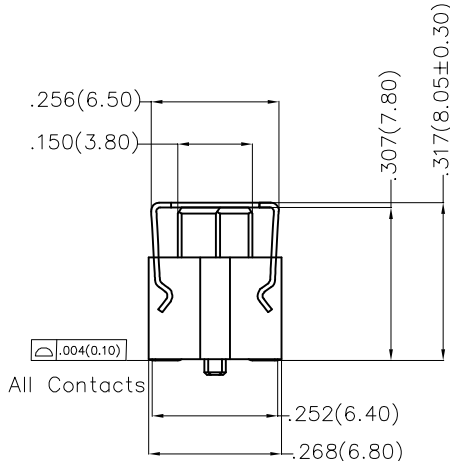
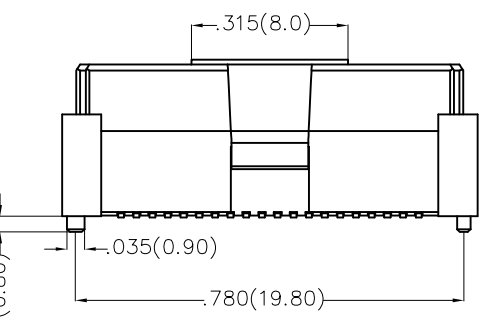
REV	LOCATIONS	DESCRIPTION	DATE	REMSER	APPD

A
B
C
D
E
F

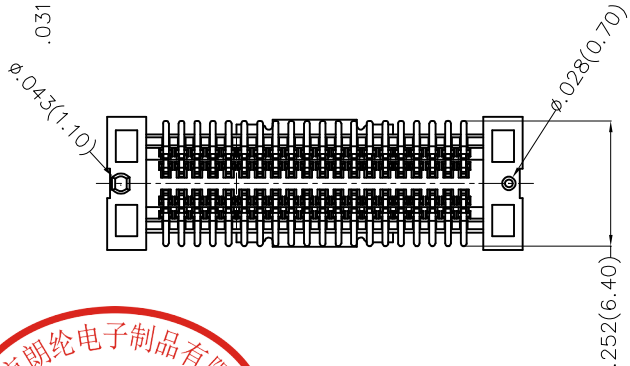
A
B
C
D
E
F



Electrical
 Current Rating: 0.5A AC(rms)/DC
 Voltage Rating: 50V AC(rms)/DC
 Contact Resistance: 50 mΩ Max.
 Insulation Resistance: 500 MΩ Min.
 Withstanding Voltage: 200V AC r.m.s
 Temperature Range-Operating: -35°C~+85°C
 Material and Plating
 Housing: LCP (UL94V-0)
 Contacts Pin: Phosphor Bronze
 Plating: Selective gold in contact area, tin on tail



Recommended P.C.B Layout(Top Side)
 (PCB Board Tolerance±0.05)



Ordering Information

FBB 080 07 - F 40 S 3 XX 3 W5 M
 1 2 3 4 5 6 7 8 9 10 11

1 Category FBB-Board To Board	2 Series Number 080-Pitch0.8mm	3 Distinction No. 07	4 Type F-Female	5 Circuits 40	6 Entry Angle S-180° Vertical
7 Plating 3-Selective gold in contact area, tin on tail	8 Thickness of Plating 01-1μ" 05-5μ" Custom plate available	9 Material-Resin 3-LCP	10 Color-Resin W5-Natural	11 Packaging M-Reel	



THIRD ANGLE PROJECTION	GENERAL TOLERANCES (UNLESS SPECIFIED)		APPROVE BY FRANK	DATE 14/AUG/19	PART NO. FBB08007-F40S3XX3W5M	ITEM NO. FBB08007	
	X.±.012(0.30)	X.±5'	CHECKED BY CHERRY	DATE 14/AUG/19	TITLE Board to Board Pitch 0.8mm 180° Vertical (SMT)		
DESIGN UNITS Inch (metric)	X.XX±.008(0.20)	.X'±2'	DRAWN BY ZOEY	DATE 14/AUG/19	THIS DRAWING CONTAINS INFORMATION THAT IS PROPRIETARY TO DONG GUAN LANG LUN(3K-KAMING) ELECTRONIC PRODUCTS CO., LTD. AND SHOULD NOT BE USED WITHOUT WRITTEN PERMISSION		
SCALE 5:1	SIZE A/L	X.XX±.006(0.15)					

1 2 3 4 5 6 7 8