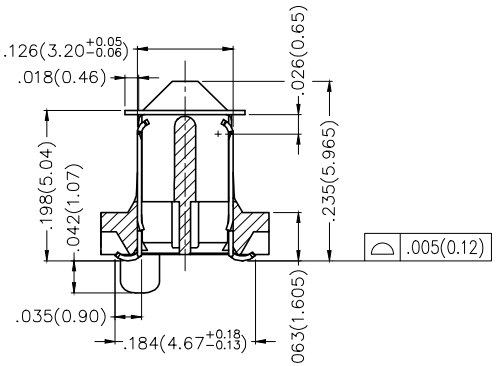
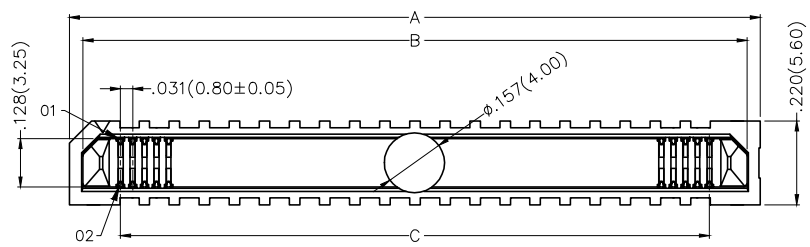


REV	LOCATIONS	DESCRIPTION	DATE	REVISER	APPD

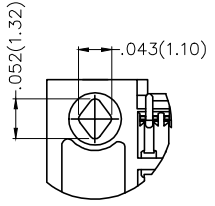
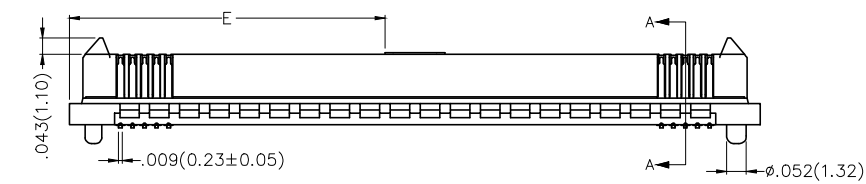
SPECIFICATIONS

Electrical
 Current Rating: 0.5A AC(rms)/DC
 Voltage Rating: 50V AC(rms)/DC
 Contact Resistance: 50 mΩ Max.
 Insulation Resistance: 100 MΩ Min.
 Withstanding Voltage: 200V AC r.m.s
 Temperature Range-Operating: -35°C~+85°C

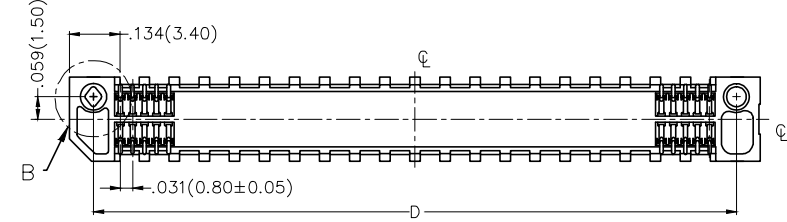
Material and Plating
 Housing: LCP (UL 94V-0)
 Contacts: Phosphor Bronze/ Selective gold in contact area, tin on tail



Section A-A
Scale 2:1



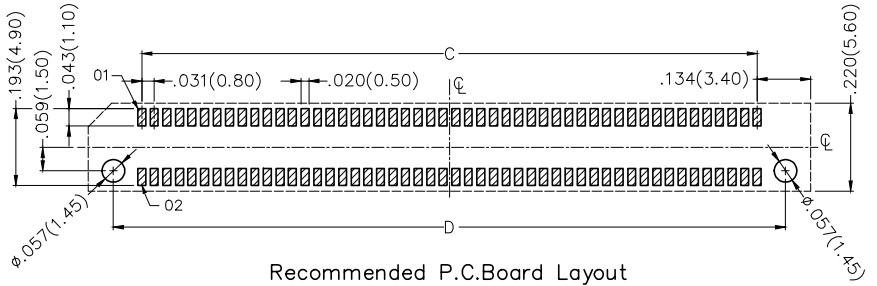
Detail 'B'
Scale 2:1



Ordering Information

FBB 080 05 — M XX S 3 XX 3 K6 M
 1 2 3 4 5 6 7 8 9 10 11

1 Category FBB-Board to Board	2 Series Number 080-Pitch0.80mm	3 Distinction No. 05	4 Type M-Male	5 Circuits XX	6 Entry Angle S-180° Vertical
7 Plating 3-Selective gold in contact area, tin on tail	8 Thickness of Plating 03-3μ" 05-5μ" Custom plate available	9 Material-Resin 3-LCP	10 Color-Resin K6-Black	11 Packaging M-Reel	



Recommended P.C.Board Layout
 General Tolerances: ±0.05mm



THIRD ANGLE PROJECTION	GENERAL TOLERANCES (UNLESS SPECIFIED)		APPROVE BY FRANK	DATE 21/DEC/18	PART NO. FBB08005-MXXS3XX3K6M	ITEM NO. FBB08005	3K-KAMING
	X.±.012(0.30)	X.±5'	CHECKED BY CHERRY	DATE 21/DEC/18	TITLE Board to Board Pitch 0.8mm 180° Vertical (SMT)		
DESIGN UNITS Inch (metric)	X.X±.008(0.20)	.X'±2'	DRAWN BY KATE	DATE 21/DEC/18	THIS DRAWING CONTAINS INFORMATION THAT IS PROPRIETARY TO DONG GUAN LANG LUN(3K-KAMING) ELECTRONIC PRODUCTS CO., LTD. AND SHOULD NOT BE USED WITHOUT WRITTEN PERMISSION		
SCALE 5:1	SIZE A4	X.XX±.006(0.15)					
		X.XXX±.004(0.10)					

1 2 3 4 5 6 7 8

REV	LOCATIONS	DESCRIPTION	DATE	REVISER	APPD



Circuits (n)	Part No.	Dimensions(in/mm)				
		A	B	C	D	E
30	FBB08005-M30S3XX3K6M	.709(18.00)	.638(16.20)	.441(11.20)	.583(14.80)	.276(7.00)
40	FBB08005-M40S3XX3K6M	.866(22.00)	.795(20.20)	.598(15.20)	.740(18.80)	.354(9.00)
60	FBB08005-M60S3XX3K6M	1.181(30.00)	1.110(28.20)	.913(23.20)	1.055(26.80)	.512(13.00)
80	FBB08005-M80S3XX3K6M	1.496(38.00)	1.425(36.20)	1.228(31.20)	1.370(34.80)	.669(17.00)
120	FBB08005-M120S3XX3K6M	2.126(54.00)	2.055(52.20)	1.858(47.20)	2.000(50.80)	.984(25.00)
150	FBB08005-M150S3XX3K6M	2.598(66.00)	2.528(64.20)	2.331(59.20)	2.472(62.80)	1.220(31.00)



<p>THIRD ANGLE PROJECTION</p>	<p>GENERAL TOLERANCES (UNLESS SPECIFIED)</p>		<p>APPROVE BY FRANK</p>	<p>DATE 21/DEC/18</p>	<p>PART NO. FBB08005-MXXS3XX3K6M</p>	<p>ITEM NO. FBB08005</p>	<p>3K-KAMING®</p>
	<p>X.±.012(0.30)</p>	<p>X.±5'</p>	<p>CHECKED BY CHERRY</p>	<p>DATE 21/DEC/18</p>	<p>TITLE Board to Board Pitch 0.8mm 180° Vertical (SMT)</p>		
<p>DESIGN UNITS Inch (metric)</p>	<p>X.X±.008(0.20)</p>	<p>.X'±2'</p>	<p>DRAWN BY KATE</p>	<p>DATE 21/DEC/18</p>	<p>THIS DRAWING CONTAINS INFORMATION THAT IS PROPRIETARY TO DONG GUAN LANG LUN(3K-KAMING) ELECTRONIC PRODUCTS CO., LTD. AND SHOULD NOT BE USED WITHOUT WRITTEN PERMISSION</p>		
<p>SCALE 5:1</p>	<p>SIZE A4</p>	<p>X.XX±.006(0.15)</p>	<p>.XX'±1'</p>	<p>X.XXX±.004(0.10)</p>	<p>.XXX'±0.5'</p>		

1 2 3 4 5 6 7 8