

# EJ-M超短款金属按钮 / Ultra Short Metal Button



## ■ 特性 / Features

- 安装直径12/16/19/22/25mm
- 防护等级: IP67/IP68/IK10
- 弹片: 不锈钢材质
- LED超高亮冷光源灯显示
- 专用特殊磨砂不锈钢环, 整体
- 超短行程:  $\leq 0.5\text{mm}$

符合IEC60947-5-1 GB14048.5标准  
Conform to IEC60947-5-1 GB14048.5 Standard

## 主要技术参数 / Technical Parameter

|                              |  |
|------------------------------|--|
| 保护等级/Degree of Protection    | IP67/IP68  |
| 触点类型/Contact Type            | 1 NO   |
| 额定电压/Rated Voltage           | DC36V  |
| 额定电流/Rated Current           | 2A   |
| 最小负载/Minimum Applicable Load | 3V AC/DC, 1mA  |
| 触点材料/Contact material        | Silver plated  |
| 运行温度/Operating Temperature   | -25° to +55°C  |
| 操作湿度/Operating Humidity      | 45 to 85% RH   |
| 接触电阻/Contact Resistance      | $\leq 50\text{m}\Omega$  |
| 绝缘电阻/Insulation Resistance   | $\leq 50\text{m}\Omega$  |
| 震荡电阻/Vibration Resistance    | 10 to 55Hz, amplitude 1.2mm p-p  |
| 保护等级/Degree of Protection    | >10g   |
| 电气寿命/Electrical Life         | 200,000 operations minimum (at full rated load)  |
| 机械寿命/Mechanical Life         | 1,000,000 operations minimum   |
| 耐压/Dielectrical Life         | Switch Unit: 2,000V AC, 1 min. between live/dead part and terminals of different poles;<br>1,000V AC, 1 minute between terminals of the same pole;<br>1,500V AC, 1 minute between contact and lamp terminals.<br>Illumination Unit: 2,000V AC, 1 min. between live part/ground |
| 连接形式/Connection Form         | Foot welding   |
| 锡焊温度/Soldering Temperature   | 20W/5 seconds or 260°C/3 seconds   |
| 拧紧力矩/Tightening Torque       | 5-14N.m  |
| 动作行程/Action Stroke           | $\leq 0.5\text{mm}$  |
| 动作力/Action Force             | $\leq 3\text{N}$   |

## 尺寸超短、行程超短



## 按钮开关型号命名 / Pushbutton Select Code

|                                      |                        |  |                       |  |   |  |   |  |
|--------------------------------------|------------------------|--|-----------------------|--|---|--|---|--|
| <b>EJ-M</b>                          | —                      |  |                       |  |   | —  |   |  |
| 安装尺寸<br>Install Size                 | 动作方式<br>Action Style:  | 头部形状<br>Shape of Top:                                    | 触点形式<br>Contact Type: | 安装方式<br>Install Style:                     | 颜色/Color:   | 电压/Voltage:                              | 材料/Material:  |  |
| 12mm<br>16mm<br>19mm<br>22mm<br>25mm | 2:自复按钮<br>2: Momentary | 1: 平头<br>7: 环面带灯<br>1: Flat Round<br>7: Ring Illuminated | 1:1NO                 | A: 螺丝型<br>Screw Type<br>P: 焊线型<br>PCB Type | R 红色 / Red<br>G 绿色 / Green<br>B 蓝色 / Blue<br>W 白色 / White<br>Y 黄色 / Yellow<br>O 橘色 / Orange | D:24VDC<br>E:12VDC<br>F:6.3VDC<br>G:3VDC | 空: 不锈钢<br>A: 铝<br>T: 铜镀铬<br>Ni: Stainless steel<br>Al: Aluminium<br>T: Copper plated Cr |  |

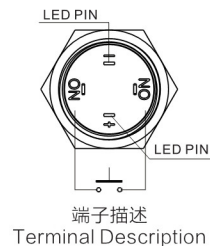
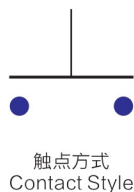
注：常规的定制都是不锈钢外壳，如需铜镀铬外壳，请在型号后面加T。

Note: The regular material is Stainless steel, if you want Copper Plated Cr, please add T behind.

## 灯珠规格 / Lamp Ratings

|  |   |
|--|---|
| 灯珠类型/Lamp Type                                   | LED灯珠(直流) LED lamp(DC)  |
| 额定电压/Rated Voltage                               | 3V,6V,12V,24V   |
| 额定电流/Rated Current                               | 约15mA 约2mA About 15mA About 2mA   |
| 发光颜色/LED Color                                   | R G Y O B W   |
| 寿命/Life  | 50000小时(参考值) 50000 hours(Reference)   |
| 灯珠等效电路/Lamp Circuit diagram                      | <p>内置电阻; 采用0603贴片灯珠。<br/>Built in resistors; use 0603 patch beads.</p>                                    |
| 功率/Power   | 0.06W   |
| 显色指数/Chromogenic index                           | 60-70   |
| 光通量/Luminous flux                                | 80-100mcd(lm)   |
| 正向电压/Forward voltage                             | 2.0-3.2V  |
| 反向电压/Reverse voltage                             | 3V  |
| 静电击穿电压 (ESD)<br>Electrostatic breakdown voltage  | 3000V   |
| 额定电流/Rated current                               | 0.006A  |
| 发光角度/Lighting angle                              | 120°  |
| 发光效率/Luminous efficiency                         | 110(lm/W)   |
| 热阻/thermal resistance                            | ≤50°C/W   |
| 最大允许结温<br>Maximum allowable junction temperature | 120°C   |
| 老化时间/Ageing time                                 | 1000小时常规老化100%; 6000小时常规老化98%<br>1000 hours of conventional aging 100%; 6000 hours conventional aging 98% |

## 触点示意图 / Contact Diagram

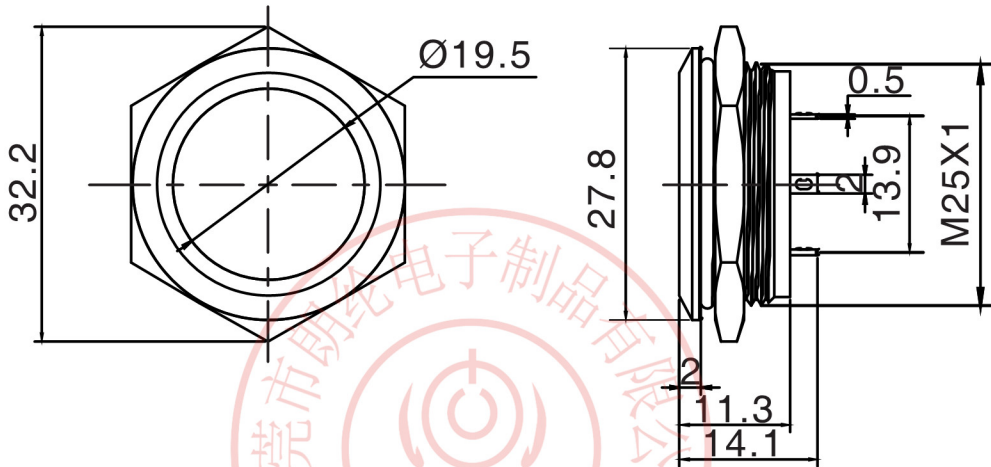


# EJ-M超短款金属按钮

RoHS SGS c  us  CE

## EJ-M超短款金属按钮/Ultra short metal button

| 名称/外观<br>Product appearance   | 带灯形式<br>Illuminated type | 操作类别<br>Operation | 触点<br>Contact | 产品型号<br>Model     | 外壳材料<br>Crust Material  |
|---|--------------------------|-------------------|---------------|-------------------|---|
| 平面圆形 / Domed round<br> | 带灯<br>With LED           | 自复<br>Momentary   | 1NO           | <b>EJ25-211PM</b> | 空:不锈钢<br>A:铝<br>G:铜镀铬<br>Nil:Stainless steel<br>A: Aluminium<br>T: Copper plated Cr |



| 名称/外观<br>Product appearance   | 安装形式<br>Install Style | 操作类别<br>Operation | 触点<br>Contact | 产品型号<br>Model         | 颜色<br>Color  | 额定电压<br>Rated Voltage   | 外壳材料<br>Crust Material  |
|---|-----------------------|-------------------|---------------|-----------------------|--|---|---|
| 环面带灯 / Domed round<br> | 焊线型<br>PCB Type       | 自复<br>Momentary   | 1NO           | <b>EJ25-271PM</b> □ ● | 请用下列颜色编码<br>替换型号中的"□"<br>R 红色/Red<br>G 绿色/Green<br>Y 黄色/Yellow<br>W 白色/White<br>B 蓝色/Blue<br>O 橘色 / Orange | 请用下列颜色编码<br>替换型号中的"●"<br>D:24VDC<br>E:12VDC<br>F:6.3VDC<br>A1:110VAC<br>A2:220VAC | 空:不锈钢<br>A:铝<br>T:铜镀铬<br>Nil:Stainless steel<br>A: Aluminium<br>T: Copper plated Cr |

